

Installation Instructions

N-SERIES TERAFRAME TELESCOPIC CABLE SPOOL MANAGER

Included Hardware:

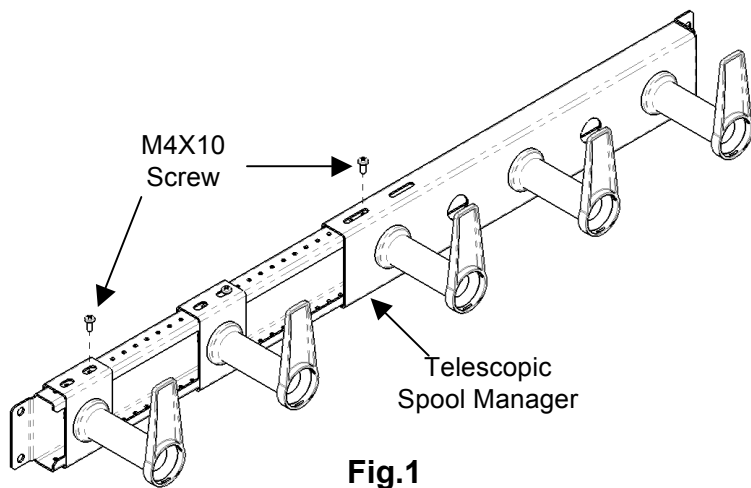
- M4 X 10mm Taptite screw, 10 ea.
- M4 washer LK,INT-EXTT, 4 ea.
- M6X1.0-16, PH screw COMB, 4 ea.
- M6X1.0, nut,clip, 3 ea.
- M6,Hex nut ,SER FLG, 1 ea.
- M6, Washer LK, INT-EXTT, 1 ea.

Tools Required:

- #2 Phillips screw driver.
- 10 m Wrench

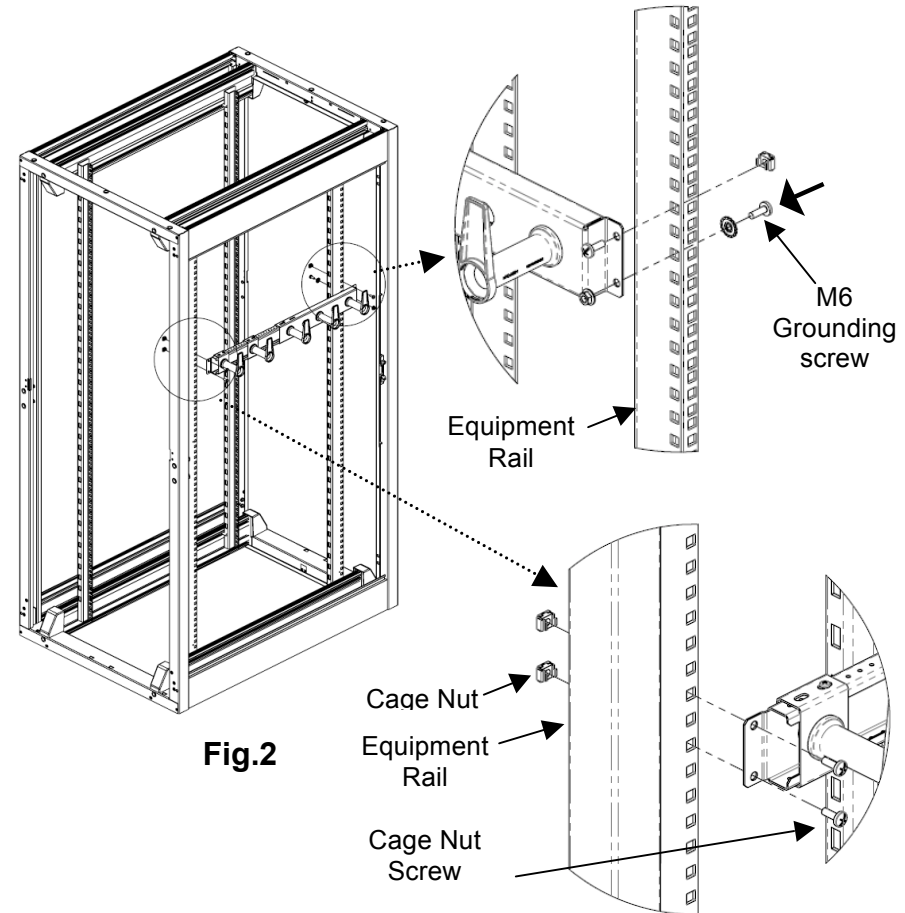
Assembly Sequence:

1. Set the Telescopic cable spool manager width as per the equipment rail width. Once the width is set fasten the M4 screw in the adjusting slot to fix the total width. (Fig.1)



Option 1: Mounting on Equipment Rails.

1. Mount the spool manager using 3X Cage nuts & one grounding screw on the equipment rail as shown in Fig. 2.
2. The grounding screw needs to be inserted from the opposite side as indicated in Fig. 2



CHATSWORTH PRODUCTS

IIS-739377, 01/09/14, Rev. 1, CPI/JAG

800-834-4969 (USA & Canada) • www.chatsworth.com • techsupport@chatsworth.com

For international phone numbers, see our website or contact CPI Tech Support.

This drawing contains proprietary and confidential information and is protected by U.S. and international law. Unauthorized reproduction, disclosure or use of the drawing or the information therein is expressly forbidden except as agreed to in writing by Chatsworth Products, Inc.

Installation Instructions

N-SERIES TERAFRAME TELESCOPIC CABLE SPOOL MANAGER

Option 2: Mounting on Intake Duct

1. This method of mounting is used when the intake duct is used in the cabinet.
2. Use four M4X 10 thread forming screw and M4 Washer to mount the spool manager on the side duct piece at small diameter locations.(Fig.3)

Assembly note:

Spool can be rotated around 360 degree and locked at each 90 degrees. This allows easy routing and handling of cable in any direction (Fig. 4).

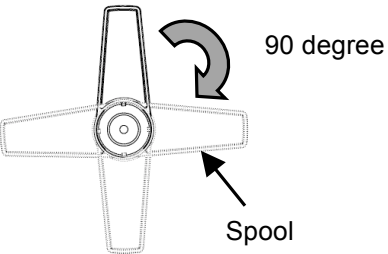
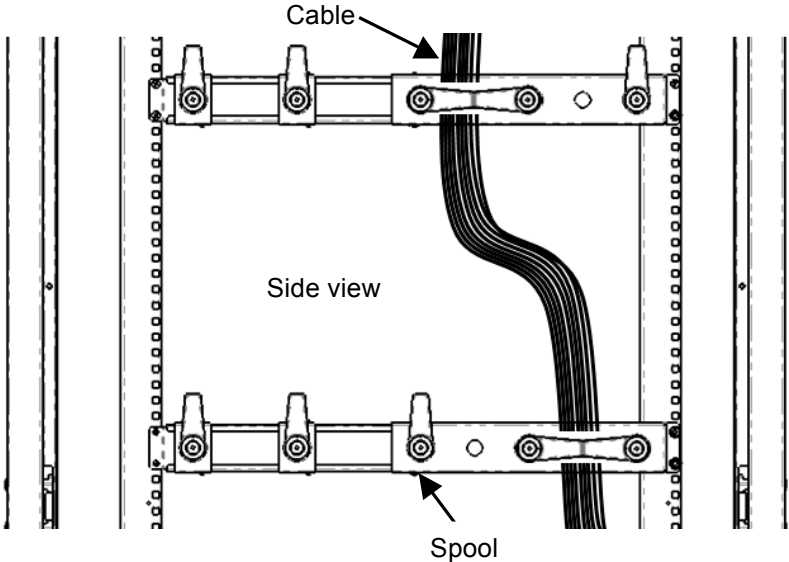


Fig. 4

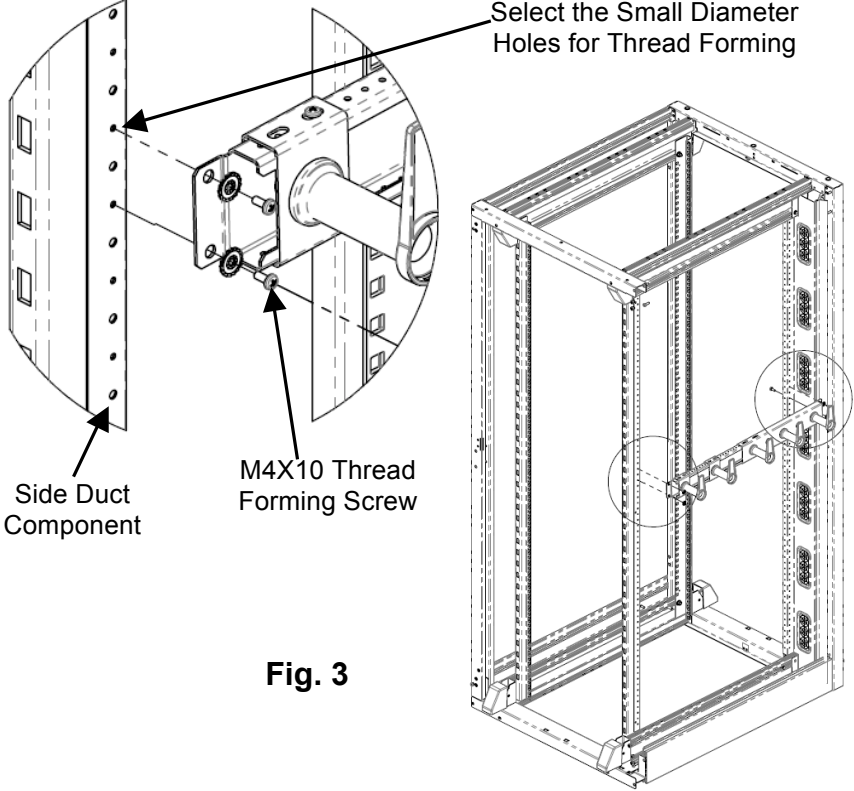


Fig. 3

