

Installation Instructions

N-SERIES TERAFRAME SLIM CABLE LASHING MANAGER

Included Hardware:

M6X10mm Hex Flanged Screw, 4 ea.

M6 Drop-In-Nut, 4 ea.

Tools Required:

10 mm wrench

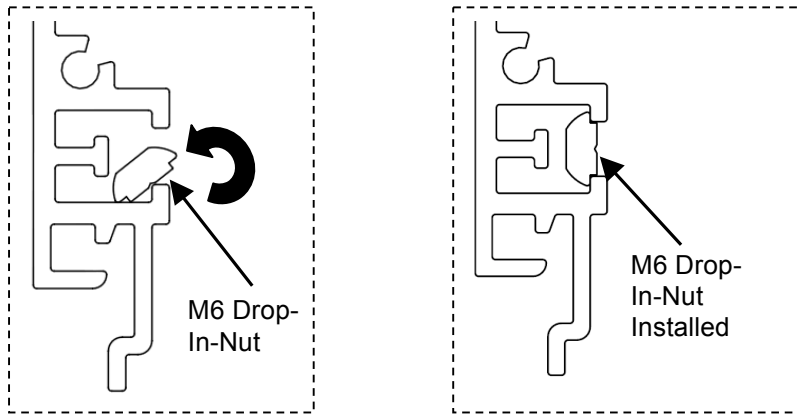
Assembly Notes:

The Lashing bracket provides attachment points for cable ties or Velcro straps (Fig. 3).

Installation Instructions:

The Lashing bracket (Fig. 1) attaches to the cabinet slides (Fig. 2).

1. Position the Lashing bracket at the desired location along the Cabinet slides (Fig.2 & 3).
2. Insert M6 Drop-in-Nuts in the slides as shown below.
3. Fasten the bracket using M6 X 10mm screws into the M6 Drop-In-Nut.



M6 Drop-in-nut Installation

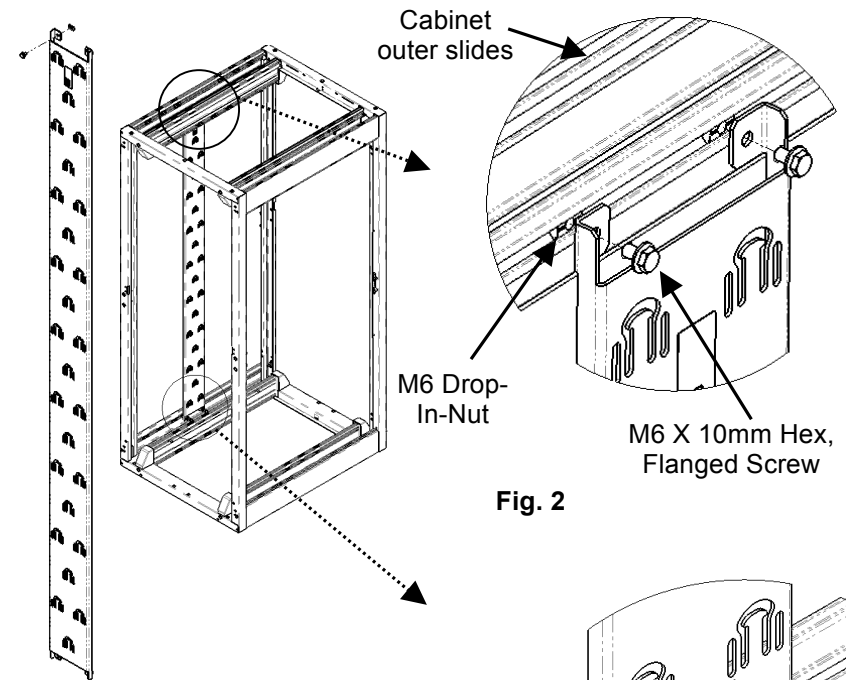


Fig. 1
Lashing Cable manager

Fig. 2

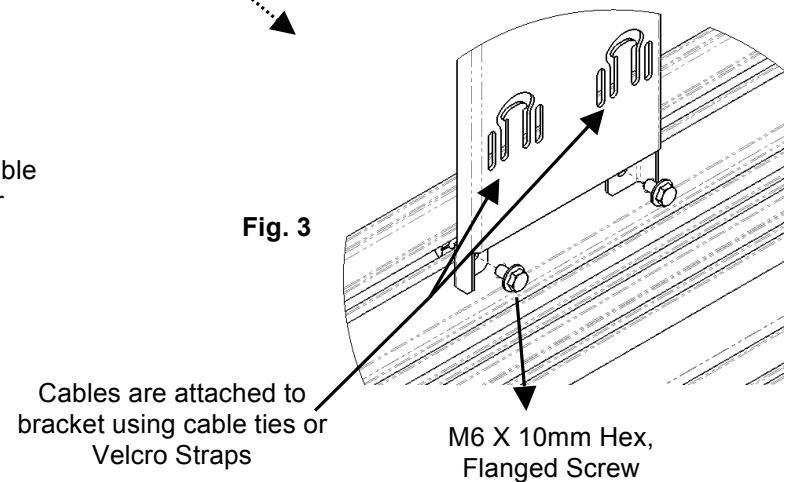


Fig. 3



CHATSWORTH PRODUCTS

IIS-739380, 01/09/14, Rev.1 , CPI/JAG

800-834-4969 (USA & Canada) • www.chatsworth.com • techsupport@chatsworth.com

For international phone numbers, see our website or contact CPI Tech Support.

This drawing contains proprietary and confidential information and is protected by U.S. and international law. Unauthorized reproduction, disclosure or use of the drawing or the information therein is expressly forbidden except as agreed to in writing by Chatsworth Products, Inc.