

# Installation Instructions

## N-SERIES TERAFRAME BOTTOM PANEL

### Included Hardware:

M6 x10mm Hex Screw, 7 ea.

M6 Drop-In-Nut, 7 ea.

### Tools Required:

10mm Wrench

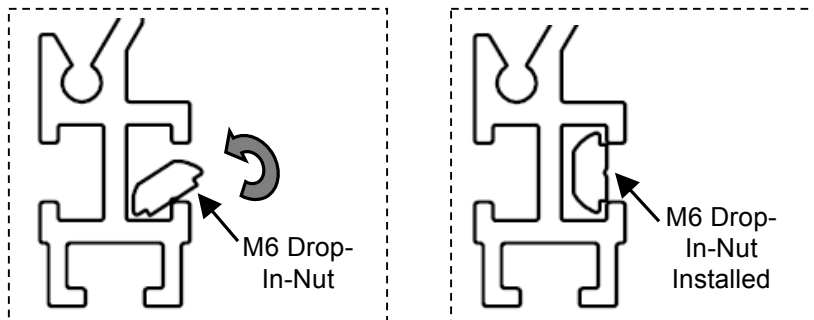
### Installation Notes:

1. Install the Bottom Panel before positioning equipment mounting rails or rack-mounting any equipment. Rails may block installation.
2. Bottom Panel is a two-piece assembly. The cable ports are installed at the rear of the cabinet.

### Assembly Sequence:

Bottom Panel attaches to the hardware in the cabinet's inner bottom slides.

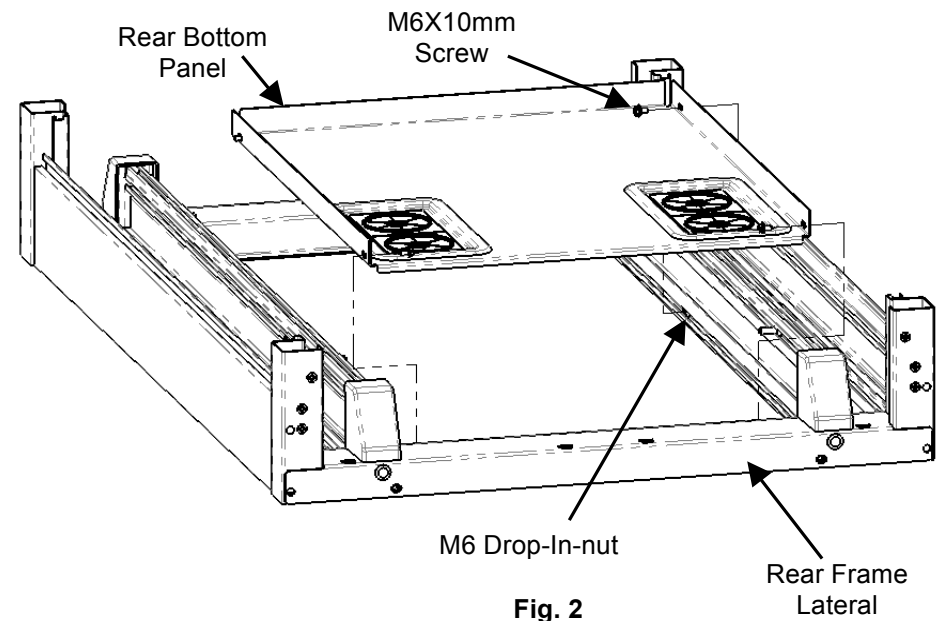
1. Insert M6 Drop-in-Nuts into the inner bottom slides (Fig.1).



**Fig. 1**

M6 Drop-In-Nut Installation

2. Insert the rear Bottom Panel in between the inner slides and push it against the rear frame lateral. Fasten the panel using four M6x10mm screws into the Drop-In-Nuts (Fig. 2).



**Fig. 2**



CHATSWORTH PRODUCTS

IIS-739410, 01/09/14, Rev. 1, CPI/JAG

800-834-4969 (USA & Canada) • [www.chatsworth.com](http://www.chatsworth.com) • [techsupport@chatsworth.com](mailto:techsupport@chatsworth.com)

For international phone numbers, see our website or contact CPI Tech Support.

*This drawing contains proprietary and confidential information and is protected by U.S. and international law. Unauthorized reproduction, disclosure or use of the drawing or the information therein is expressly forbidden except as agreed to in writing by Chatsworth Products, Inc.*

# Installation Instructions

## N-SERIES TERAFRAME BOTTOM PANEL

3. Place the front Panel on top of rear panel (Fig. 3). Note that the front panel will overlap the rear panel and will seal the gap between the panels.

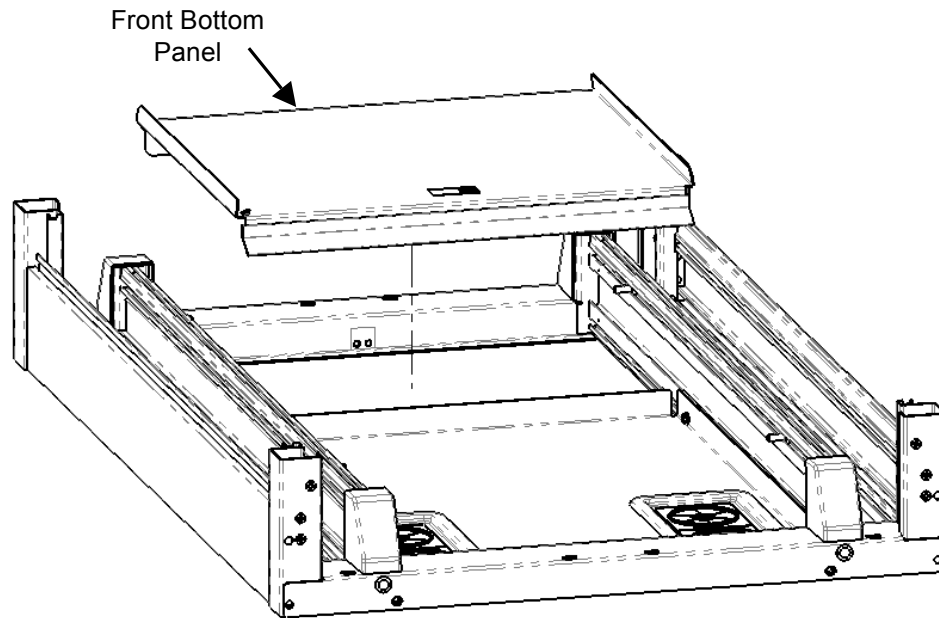
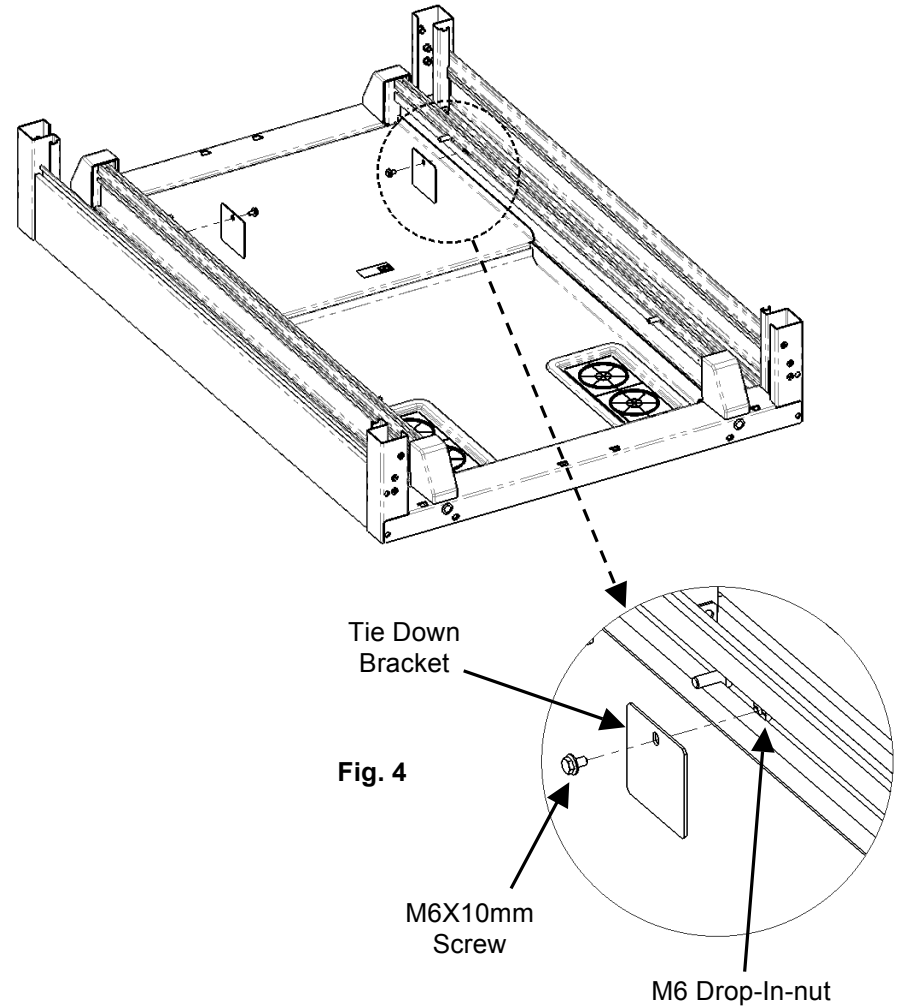


Fig. 3

4. Secure the position of Front Bottom Panel by using two Tie-down Brackets fastened to the inner slides with a M6 Screw and Drop-in nut each (Fig.4)



# Installation Instructions

## N-SERIES TERAFRAME BOTTOM PANEL

5. Electrically bond the bottom panel to the cabinet frame by plugging the quick-connect end of the bonding jumper wire onto the quick-connect tab on the bottom panel and fasten the ring terminal with upper slot in the slide using M6 screw and Drop-in nut (Fig.5)

