

Installation Instructions

N-SERIES TERAFRAME 800W CABLE ENTRY SANTOPRENE KIT

Tools Required:
Utility knife

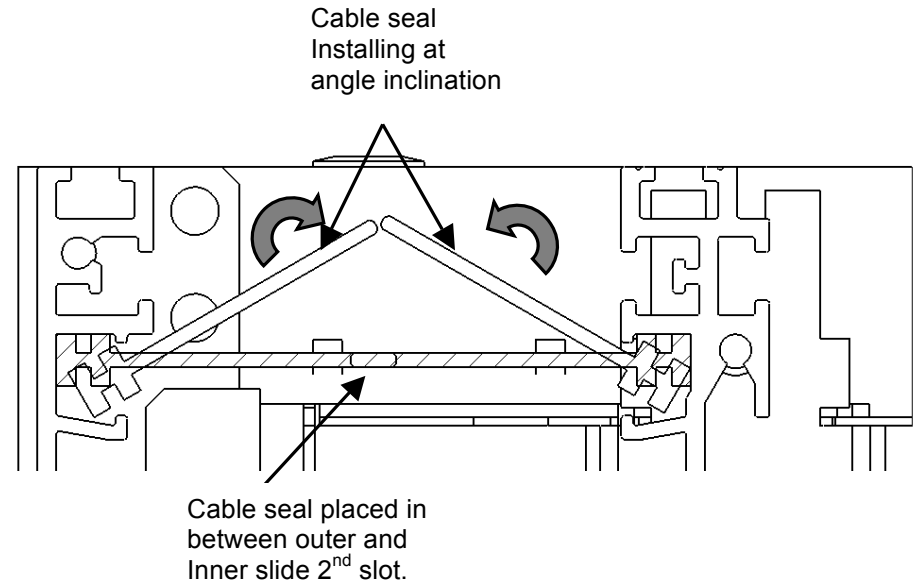
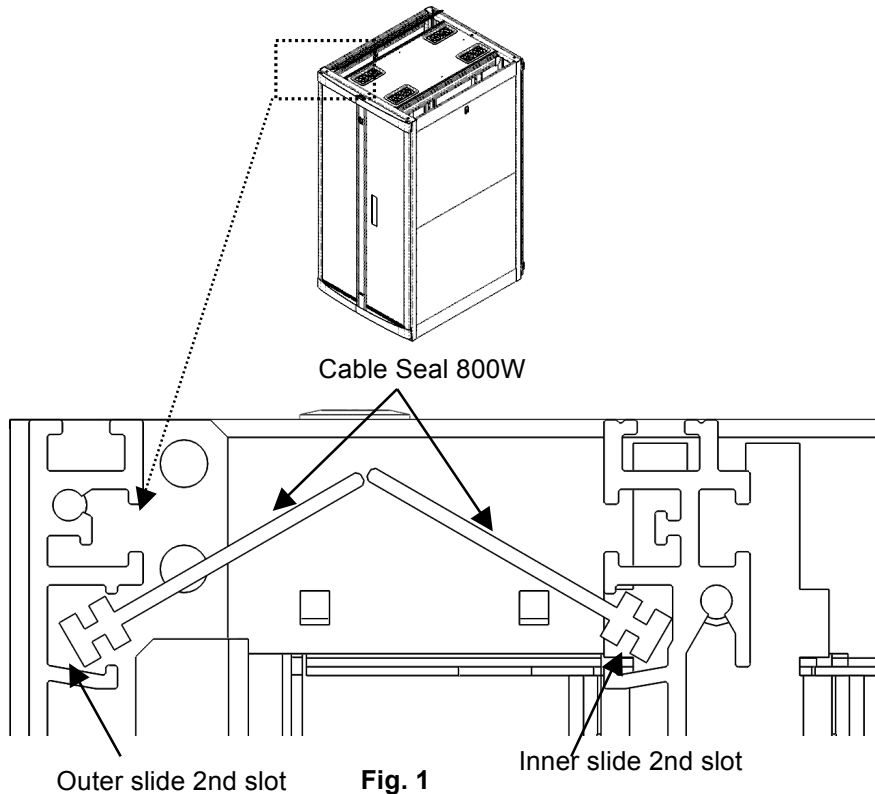
Installation notes:

1. Install bottom seal after removing the casters.
2. The air dams for the 800 wide cabinets may have to be removed to install the bottom seal.

Installation Instructions

1. Insert the Cable Seal into the upper slide 2nd slot (Fig. 1).

2. Insert both cable seals at inclined angle (Fig. 2).



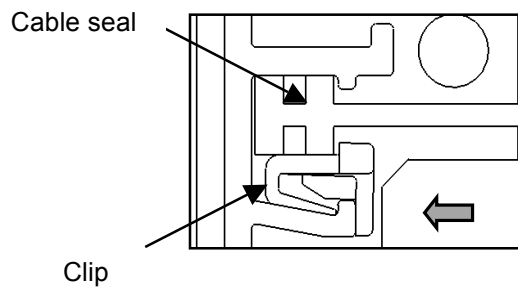
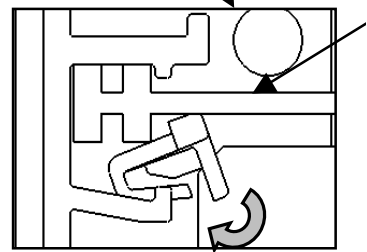
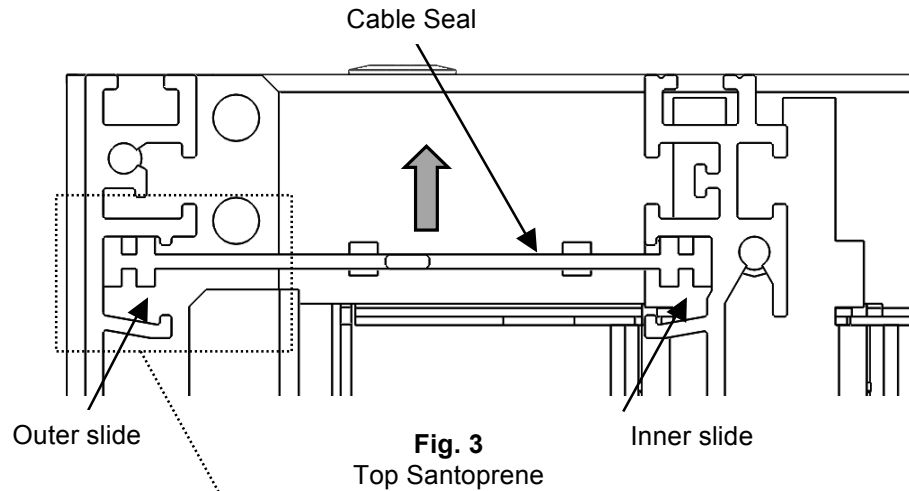
IIS-739413, 01/09/14, Rev. 1, CPI/JAG
800-834-4969 (USA & Canada) • www.chatsworth.com • techsupport@chatsworth.com
For international phone numbers, see our website or contact CPI Tech Support.

This drawing contains proprietary and confidential information and is protected by U.S. and international law. Unauthorized reproduction, disclosure or use of the drawing or the information therein is expressly forbidden except as agreed to in writing by Chatsworth Products, Inc.

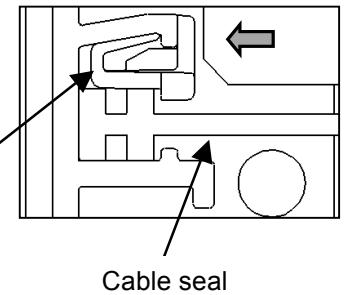
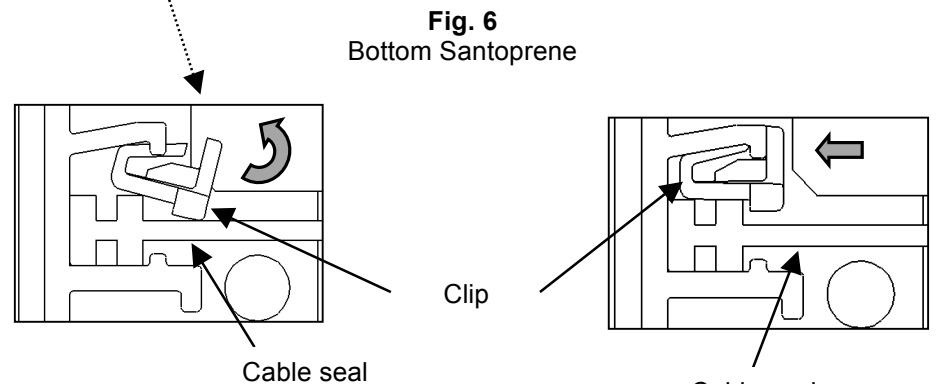
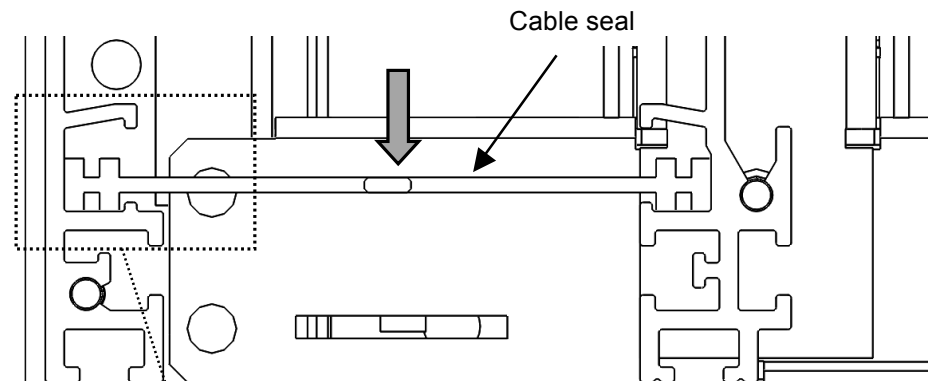
Installation Instructions

N-SERIES TERAFRAME 800W CABLE ENTRY SANTOPRENE KIT

- Lift the cable seal as shown in fig.3 and place a clip inclined to the opening of the extrusion (Fig. 4). Push the clip inside the extrusion to lock (Fig.5).
- Install 4 clips for each cable seal evenly spaced.



- For installing bottom santoprene, place it as shown in fig.6 and place the clip inclined to the opening of the extrusion as shown in fig.7. Push the clip inside the extrusion to lock (Fig. 8).
- Install 5 clips for each cable seal evenly spaced.
- Follow the above instructions to install Cable Seal on other side of the cabinet.



Installation Instructions

N-SERIES TERAFRAME 800W CABLE ENTRY SANTOPRENE KIT

8. Insert Cable port end seal to rear and front donut (Fig. 9).

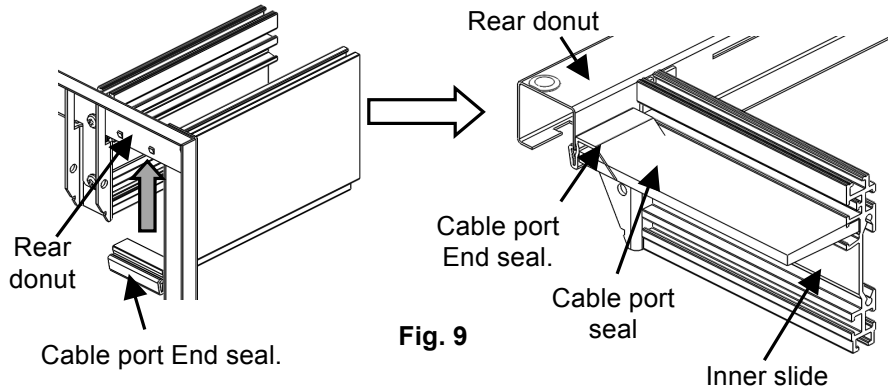


Fig. 9

10. Use Utility Knife to cut minimum material required to route cabling (Fig.11)

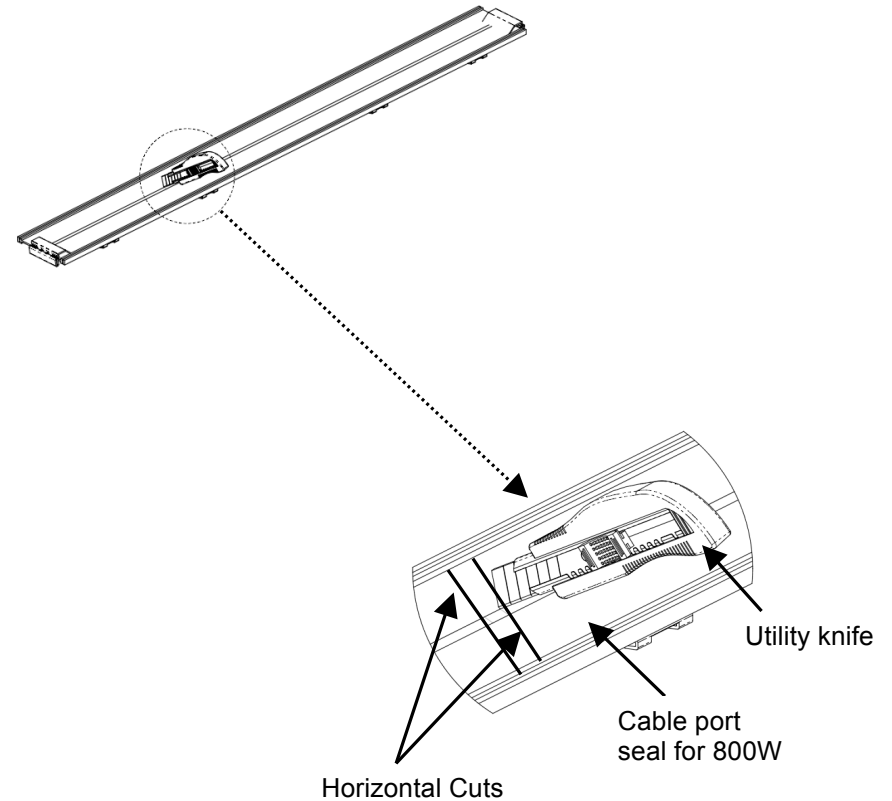


Fig. 11

Cable port seal cutting Process:

9. To provide an opening for the cables, give two horizontal cuts (Fig. 10) Width of cut depends on diameter and number of cables need to come out of opening.

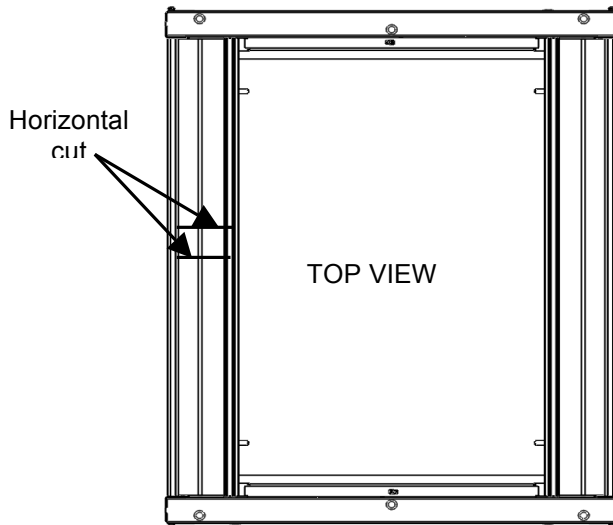


Fig. 10

Two horizontal cut are provided for the cable opening.