

Installation Instructions

N-SERIES TERAFRAME 1016W CABLE ENTRY SANTOPRENE KIT

Tools Required:

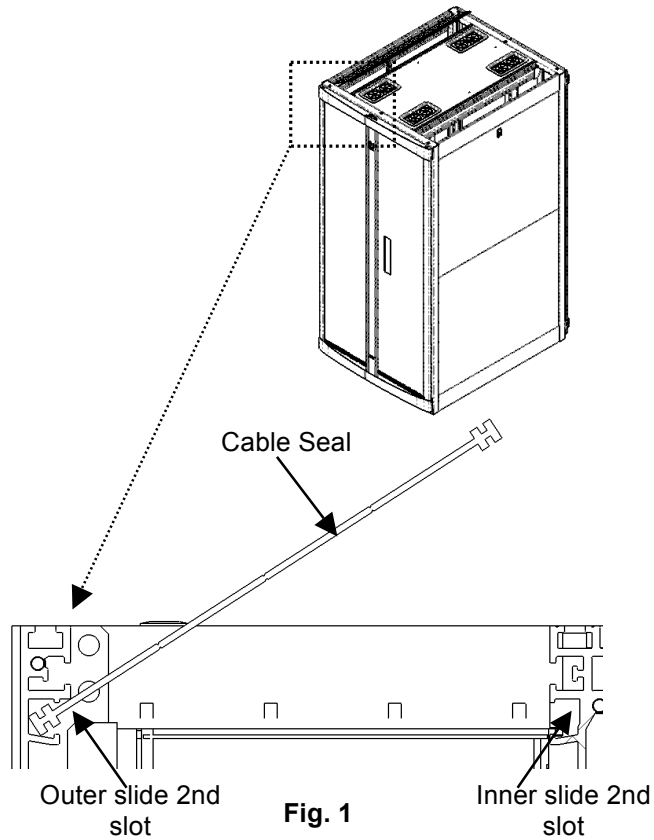
Utility Knife

Installation notes:

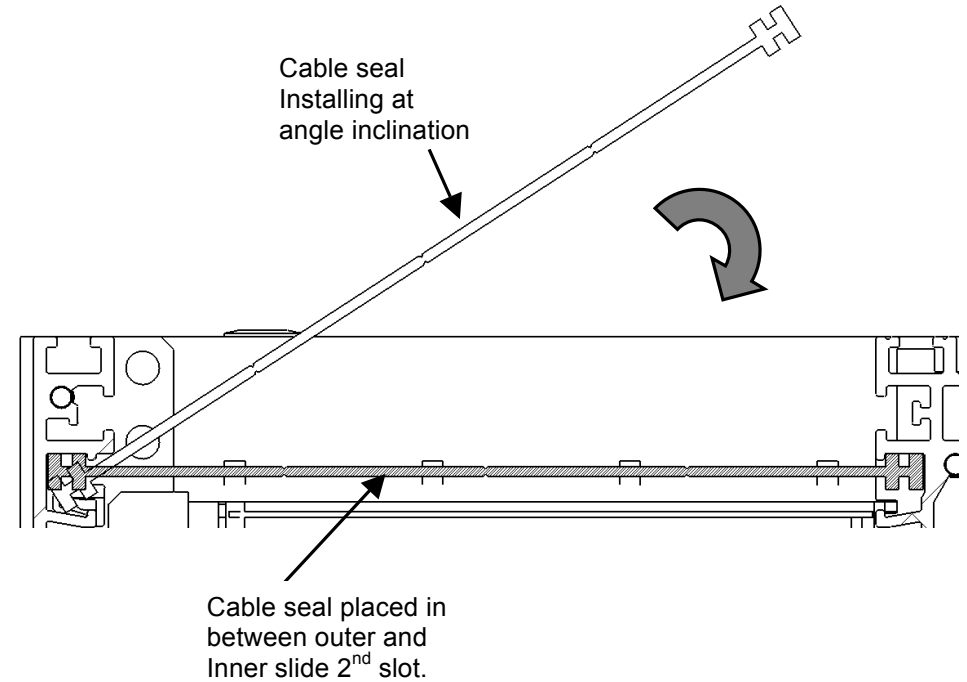
1. Install bottom seal after removing the casters.

Installation Instructions

1. Insert the Cable Seal into the upper slide 2nd slot (Fig. 1).



2. Place the other end of Cable seal into the other extrusion slot (Fig.2).



IIS-739415, 01/09/14, Rev. 1, CPI/JAG

800-834-4969 (USA & Canada) • www.chatsworth.com • techsupport@chatsworth.com

For international phone numbers, see our website or contact CPI Tech Support.

This drawing contains proprietary and confidential information and is protected by U.S. and international law. Unauthorized reproduction, disclosure or use of the drawing or the information therein is expressly forbidden except as agreed to in writing by Chatsworth Products, Inc.

Installation Instructions

N-SERIES TERAFRAME 1016W CABLE ENTRY SANTOPRENE KIT

3. Lift the cable seal as shown in fig.3 and place a clip inclined to the opening of the extrusion (Fig. 4). Push the clip inside the extrusion to lock (Fig. 5).
4. Install 4 clips for each cable seal evenly spaced.

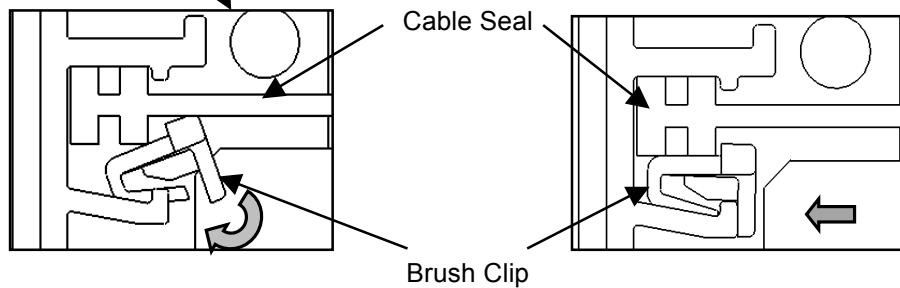
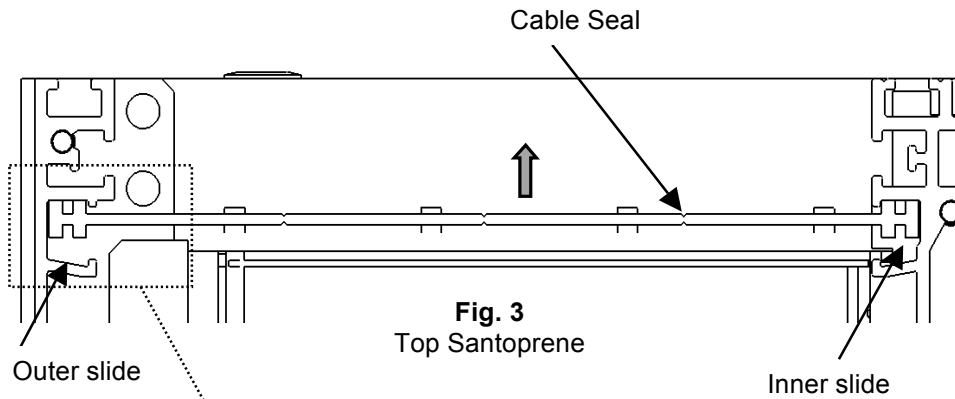


Fig. 4

Fig. 5

5. For installing bottom cable seal, place it as shown in fig.6 and place the clip inclined to the opening of the extrusion (Fig.7). Push the clip inside the extrusion to lock (Fig. 8).
6. Install 5 clips for each cable seal evenly spaced.
7. Follow the above instructions to install Cable Seal on other side of the cabinet.

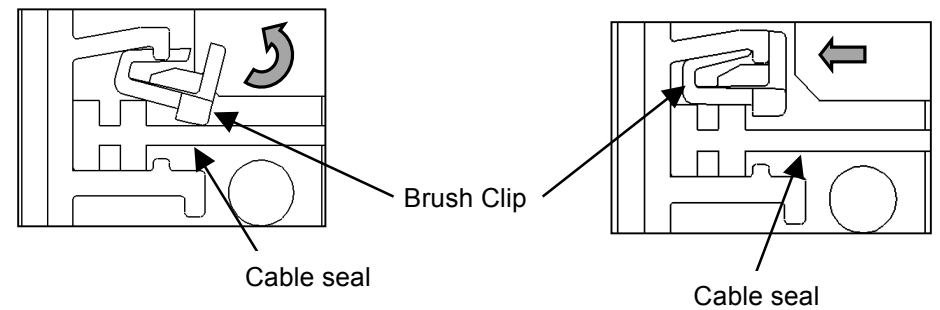
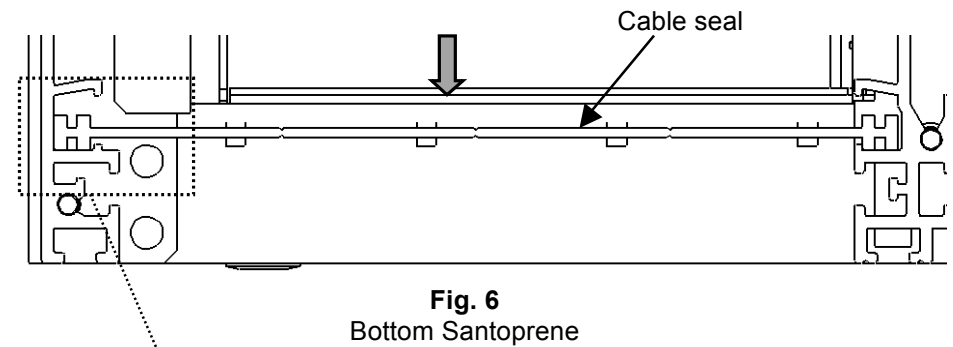


Fig. 7

Fig.8

Installation Instructions

N-SERIES TERAFRAME 1016W CABLE ENTRY SANTOPRENE KIT

8. Insert Cable port end seal to rear and front donut (Fig. 9).

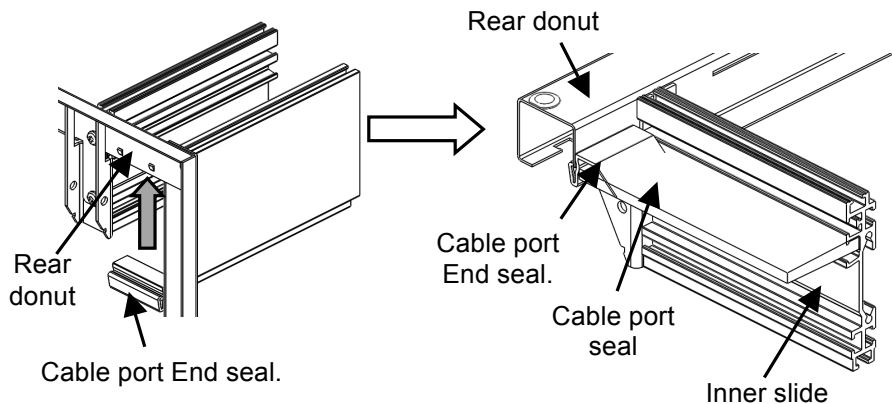


Fig. 9

Cable port seal cutting Process:

9. To provide opening for the cables, give two horizontal cuts which joins the vertical lines (Fig. 10) Width of cut depends on diameter and number of cables need to come out of opening, then give a vertical cut in the middle.

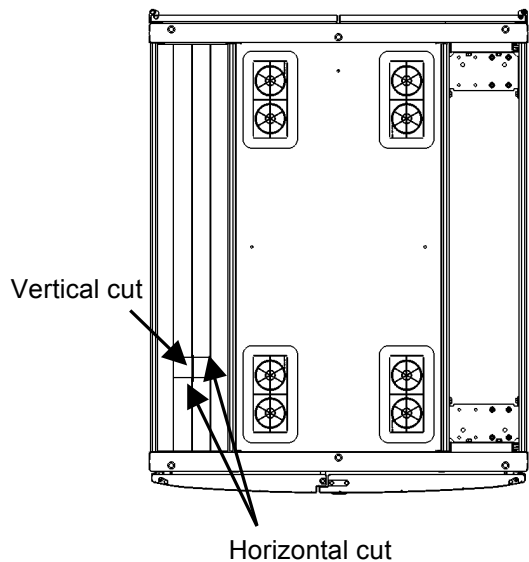


Fig. 10
Two Horizontal and one Vertical cuts in middle is provided for the cable opening.

10. Use Utility Knife to cut minimum material required to route cabling (Fig.11 and Fig. 12).

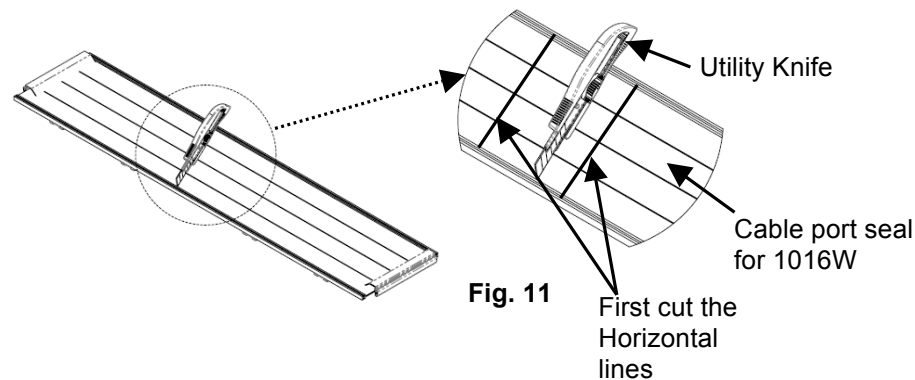


Fig. 11

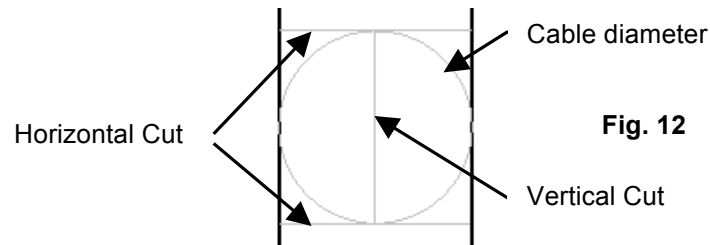
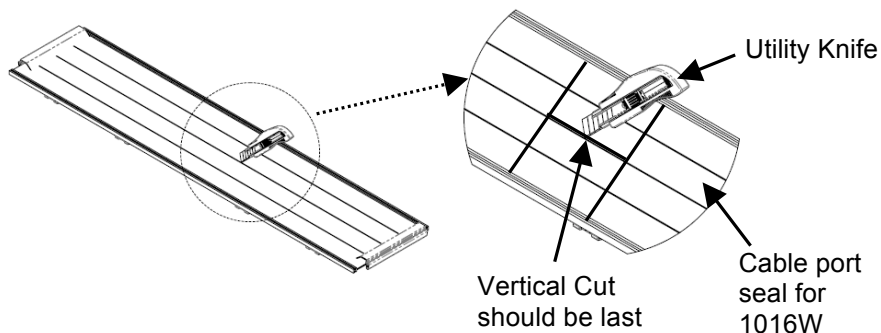


Fig. 12