

Installation Instructions

GLOBAL FRAME 1016W FRONT DOUBLE DOOR

Installation Notes:



CAUTION: The door must remain supported during repositioning so that the hinge components are not damaged. Use blocks or have an assistant support the edge of the door opposite the hinges. Do not allow the top hinge to support the entire weight of the door during repositioning.

Included Hardware:

M6X16mm CSK FH Screw, 8 ea.

M6X12mm Screw, 2 ea.

Tools Required:

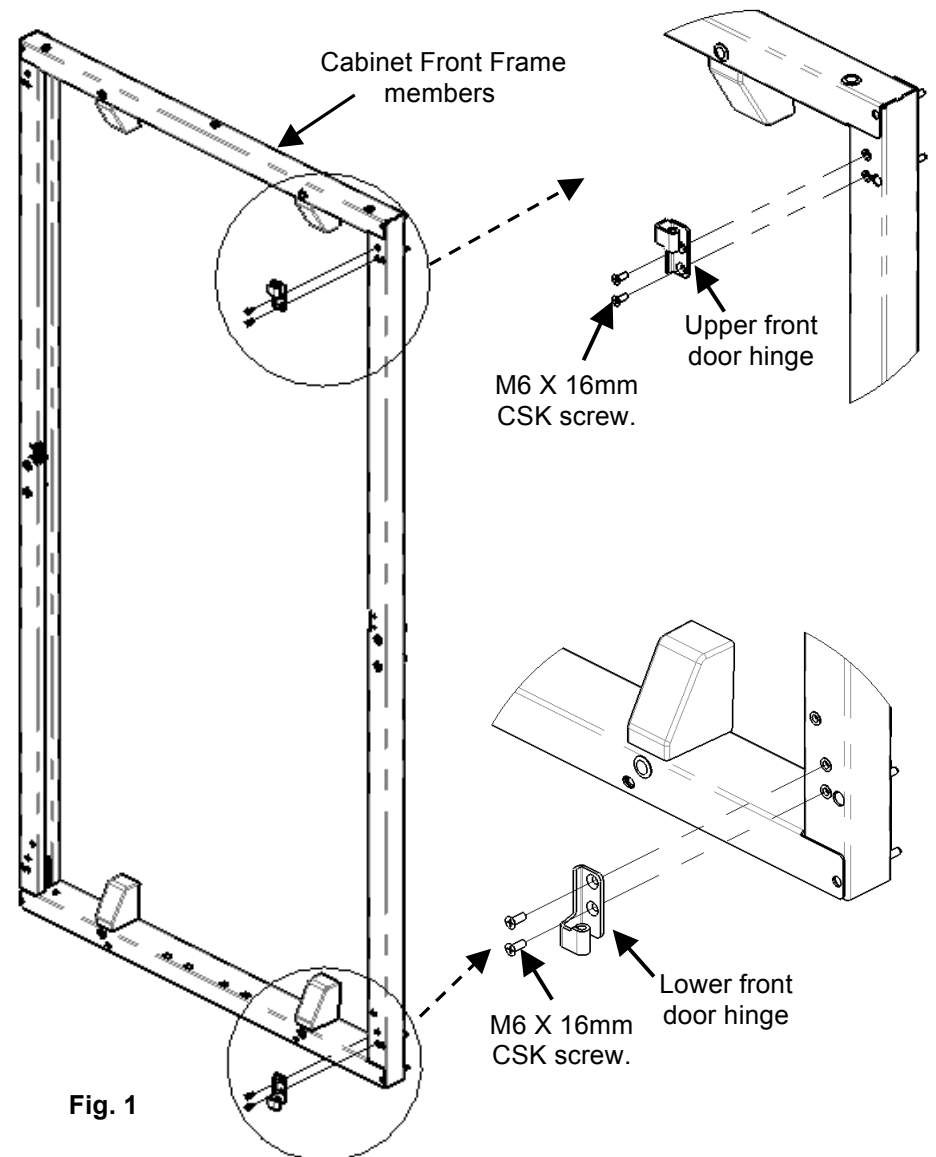
#2 Phillips screwdriver

Assembly Notes:

A bonding jumper wire, bonding connection points, and attaching hardware are provided for electrically bonding the door to the cabinet frame.

Assembly Sequence:

1. Attach each hinge to each side of the frame with two M6 X 16mm CSK screws in orientation shown in Fig. 1 (Hinge orientation is opposite when placing hinges on the other side).



CHATSWORTH PRODUCTS

IIS-739420, 01/09/14, Rev. 1, CPI/JAG

800-834-4969 (USA & Canada) • www.chatsworth.com • techsupport@chatsworth.com

For international phone numbers, see our website or contact CPI Tech Support.

This drawing contains proprietary and confidential information and is protected by U.S. and international law. Unauthorized reproduction, disclosure or use of the drawing or the information therein is expressly forbidden except as agreed to in writing by Chatsworth Products, Inc.

Installation Instructions

GLOBAL FRAME 1016W FRONT DOUBLE DOOR

- Orient the front door perpendicular to the cabinet, with the upper part of the door tilted sideways slightly away from the cabinet (Fig. 2).
- Carefully lower the door onto the lower hinge. Be sure that the hinge pin aligns correctly with the hinge pivot axis (Fig. 2).
- Bring the door frame vertical and align the upper hinge pin with the hinge pivot axis in the door extrusion. Engage the upper hinge pin in the door by pulling down on the spring loaded hinge pin handle. Make sure pin is fully engaged with hinge (Fig. 2).
- Using an M6X12mm screw, attach the end of the bonding jumper wire with the ring terminal to the frame threaded nut nearest to the bottom door hinge. Orient ring terminal as shown when tightening screw (Fig.3).
- Electrically bond the door to the cabinet frame by plugging the quick-connect end of the bonding jumper wire onto the quick-disconnect tab nearest the lower door hinge (Fig. 3).
- Repeat steps 2 to 6 for the other door.
- To remove the door, unplug the quick-connect end of the bonding jumper wire from the door. Open the door perpendicular to the cabinet. Pull down on the handle of the upper hinge pin. Tilt the door away from the upper hinge and lift door up off lower hinge to remove (Fig. 3).

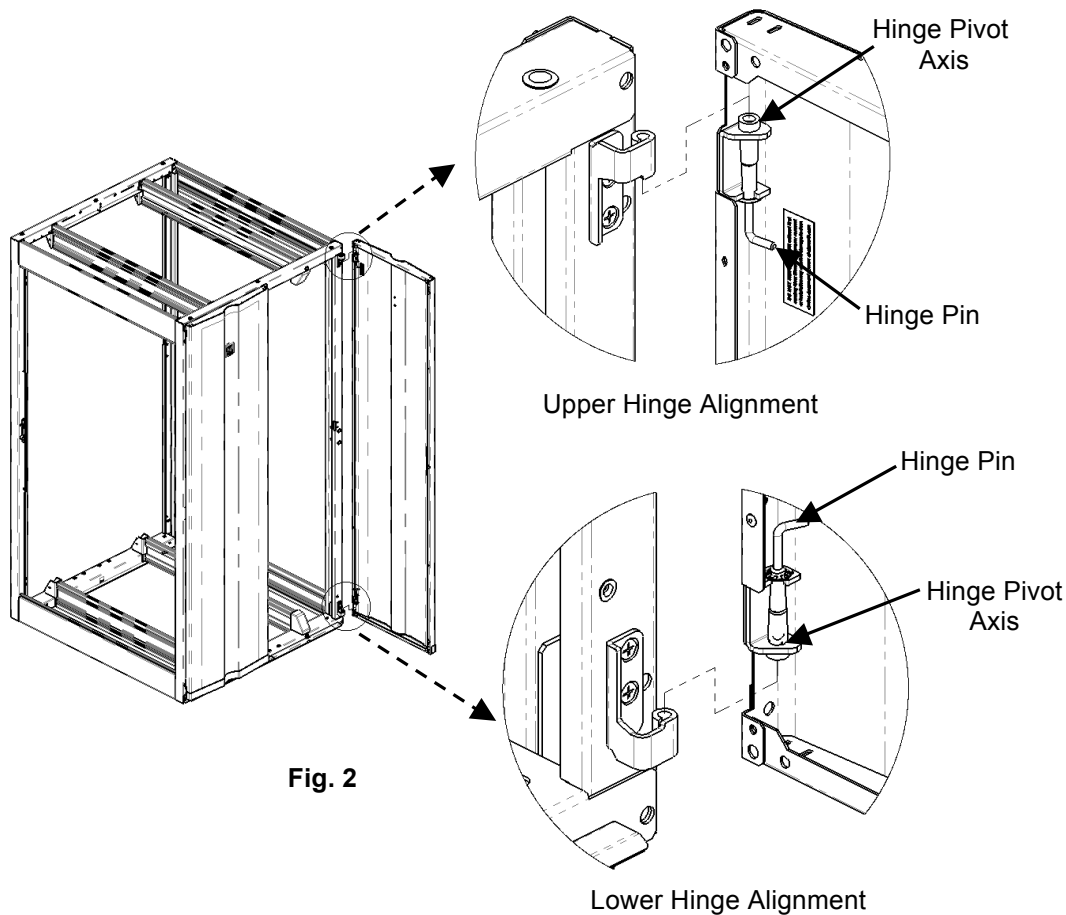


Fig. 2

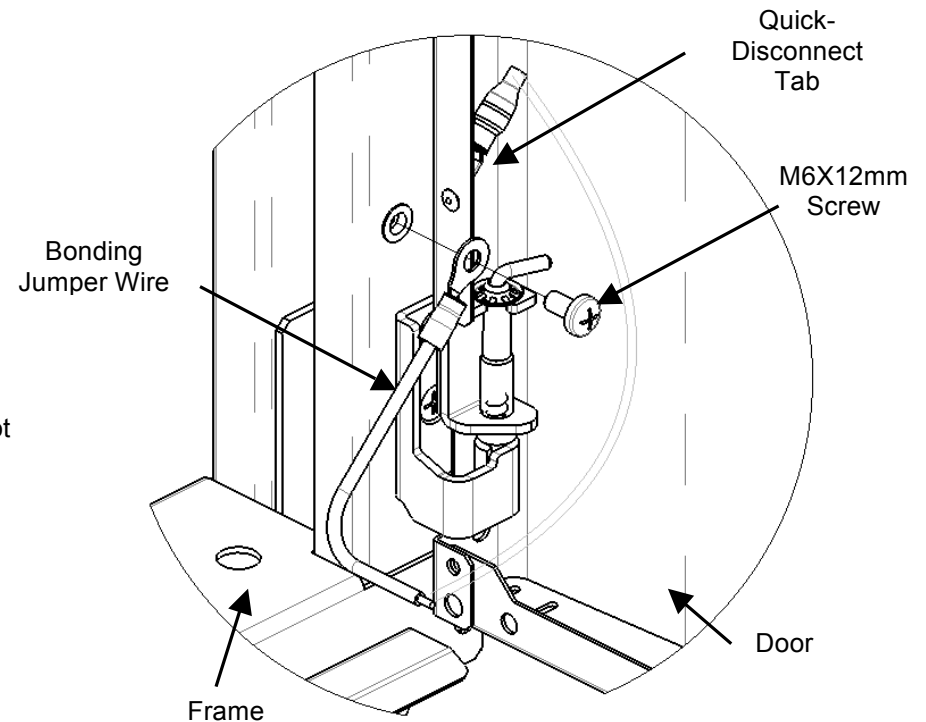


Fig. 3
Grounding Wire Installation