

Installation Instructions

N-SERIES TERAFRAME CABLE ENTRY BRUSH KIT

Included Parts

800W Cabinet: 2 Brushes (1 per side); 8 Brush Clips
1016W Cabinet: 4 Brushes (2 per side); 16 Brush Clips

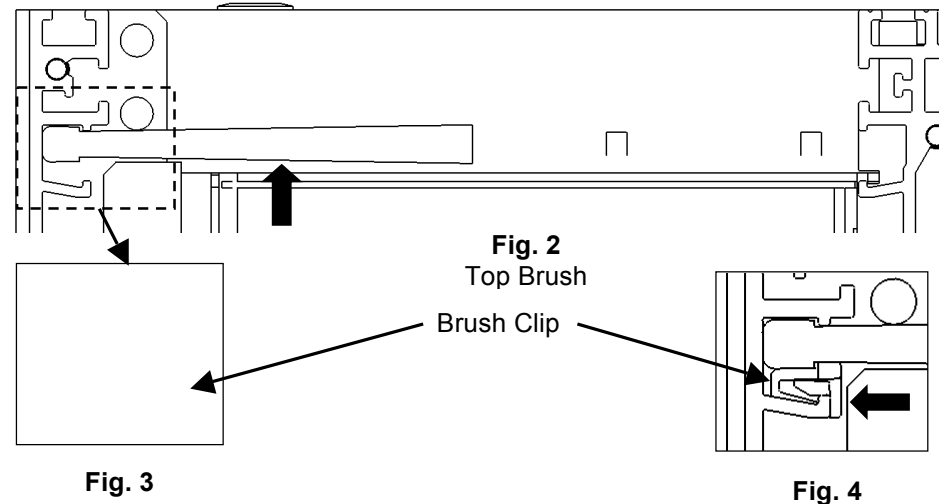
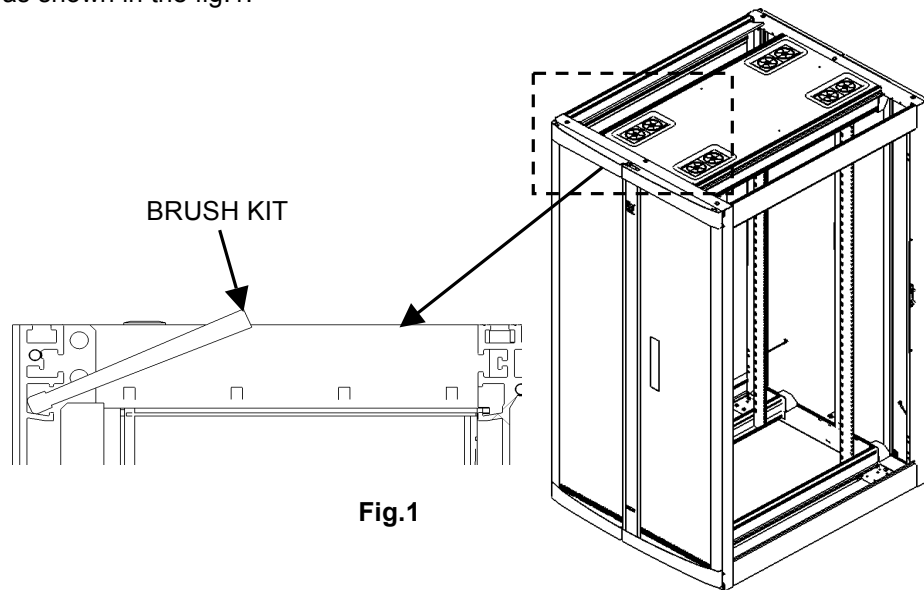
Installation Notes

1. Install bottom brush after removing the casters.
2. The air dams for the 800 wide cabinets may have to be removed to install the bottom brush.
3. Instructions show 1016W cabinet brush installation. For 800W cabinet, only one brush per side is used.

Top Cable Port Brush Installation

1. Insert the cable entry brush into the upper rail 2nd slot as shown in the fig.1.

2. Lift the Brush as shown in fig.2 and place a clip at an incline to the opening of the extrusion as shown in fig. 3. Push the clip inside the extrusion to lock as shown in fig.4.



IIS-739433, 01/09/14, Rev. 1, CPI/JAG

800-834-4969 (USA & Canada) • www.chatsworth.com • techsupport@chatsworth.com

For international phone numbers, see our website or contact CPI Tech Support.

This drawing contains proprietary and confidential information and is protected by U.S. and international law. Unauthorized reproduction, disclosure or use of the drawing or the information therein is expressly forbidden except as agreed to in writing by Chatsworth Products, Inc.

Installation Instructions

N-SERIES TERAFRAME CABLE ENTRY BRUSH KIT

3. Install 4 clips for each cable brush evenly spaced.
4. Follow instruction 1 to 3 for installing other half as shown in fig.5.

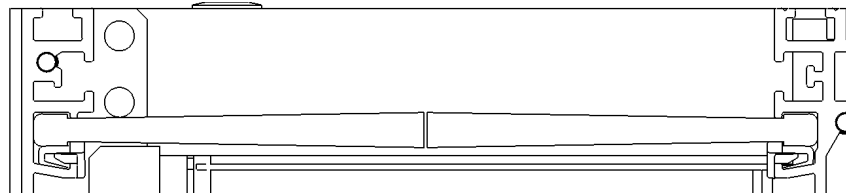


Fig.5

5. Insert Cable port end seal to rear and front frame (Fig. 6).

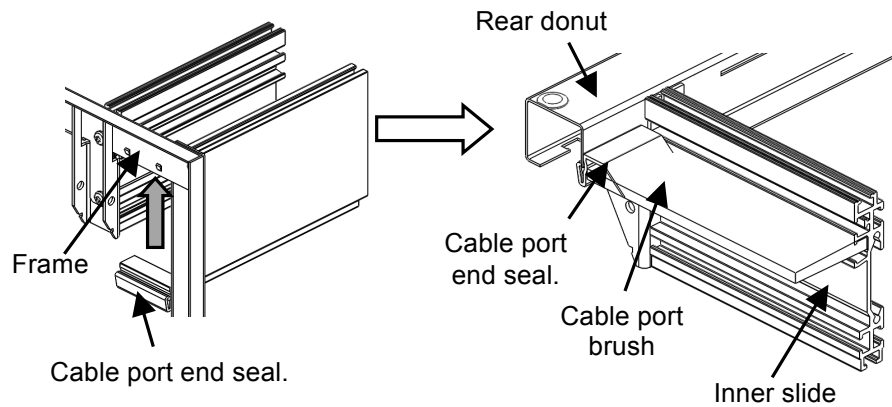


Fig. 6

Bottom Cable Port Brush Installation

6. For installing bottom brush, place the brush as shown in fig.7 and place a clip at an incline to the opening of the extrusion as shown in fig.8. Push the clip inside the extrusion to lock as shown in fig.9.
7. Install 4 clips for each cable brush evenly spaced.
8. Follow the above instructions to install brush kit on other side of the cabinet.

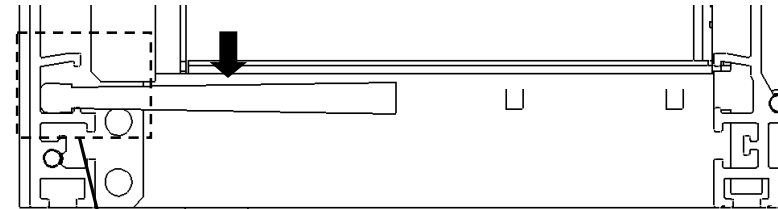


Fig. 7
Bottom Brush

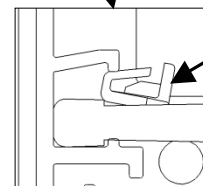


Fig. 8

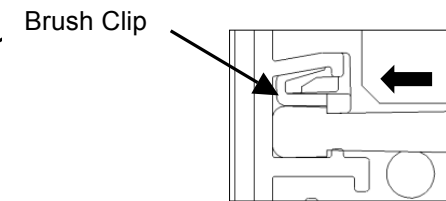


Fig. 9