

# Installation Instructions

## N-SERIES TERAFRAME 1016W AIR DAM, 2 SIDES

### Included Hardware:

- M6 X 10mm Hex Screw, 2 ea.
- M6 Drop-In-Nut, 2 ea.
- M6 X 16mm Cage Nut/Screw, 10 ea.
- M4 X 10mm screw, 2 ea.
- M4 washer Internal - External tooth, 2 ea.

### Tools Required:

- 10mm socket wrench
- #2 Phillips screw driver
- Large Scissors

### Assembly Notes:

- Air dam is comprised of one top bracket and two side brackets (Fig. 1).
- The Equipment mounting rail must be set back a minimum distance 7.58" (192.5mm) (Fig. 2).

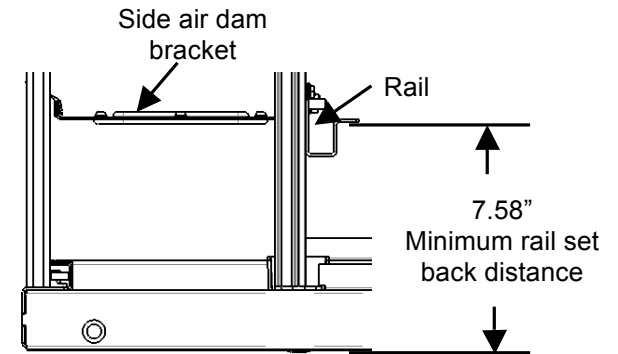
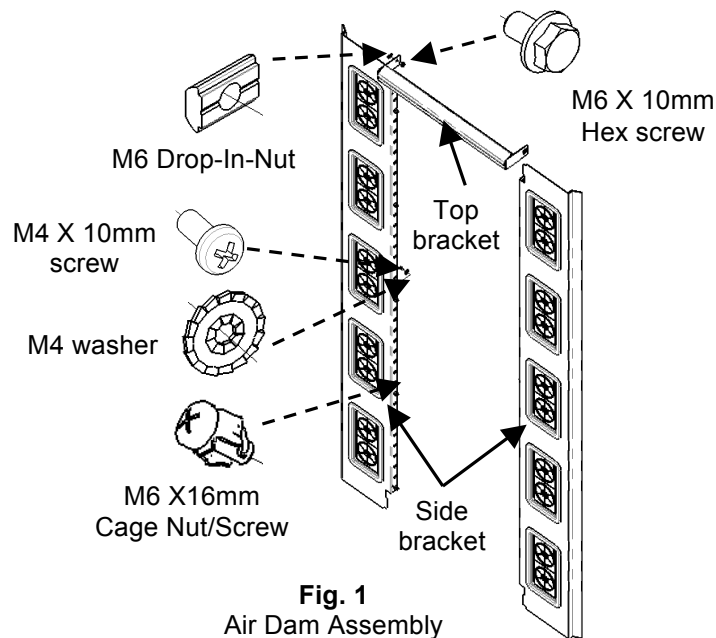


Fig. 2  
Cabinet Top View



CHATSWORTH PRODUCTS

IIS-739385, 01/09/14, Rev. 1, CPI/JAG

800-834-4969 (USA & Canada) • [www.chatsworth.com](http://www.chatsworth.com) • [techsupport@chatsworth.com](mailto:techsupport@chatsworth.com)

For international phone numbers, see our website or contact CPI Tech Support.

*This drawing contains proprietary and confidential information and is protected by U.S. and international law. Unauthorized reproduction, disclosure or use of the drawing or the information therein is expressly forbidden except as agreed to in writing by Chatsworth Products, Inc.*

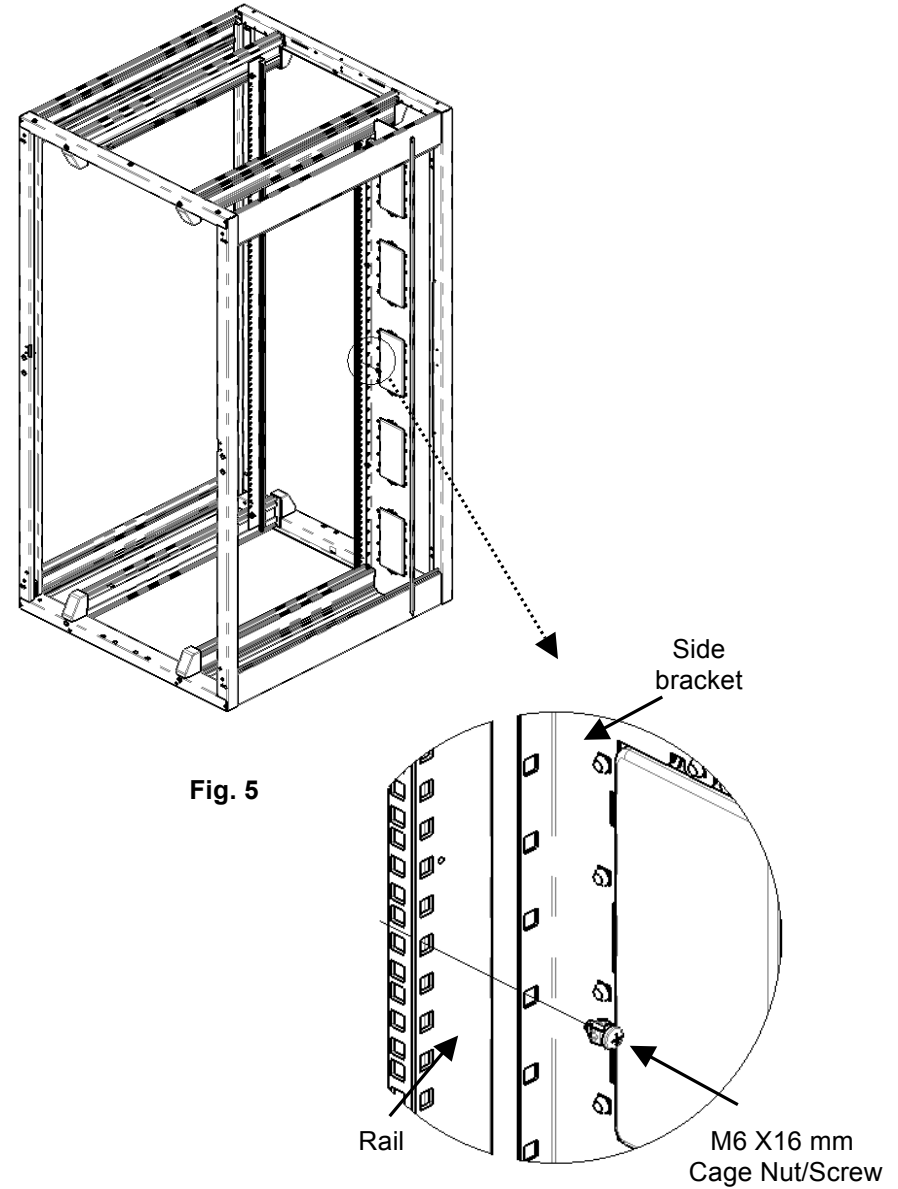
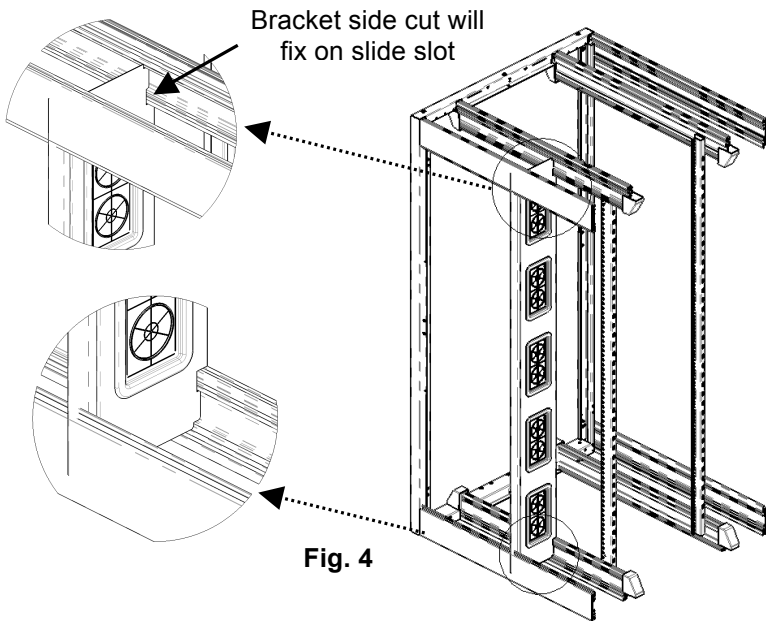
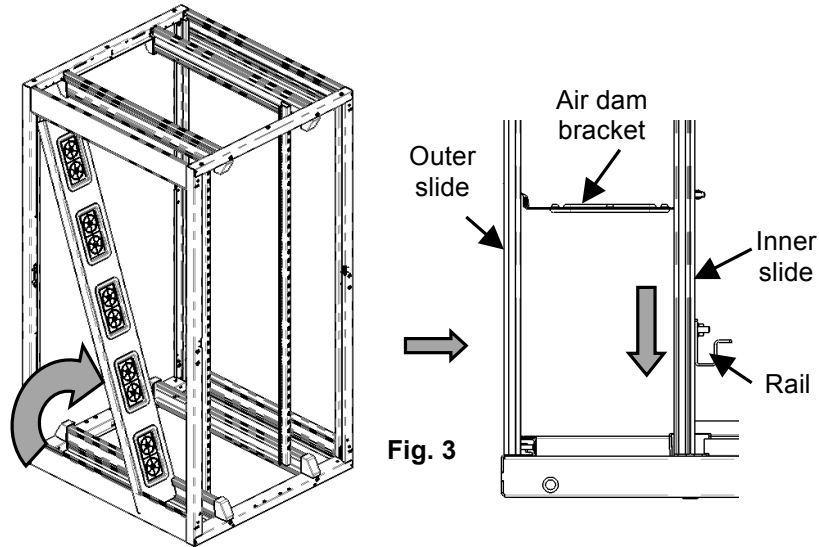
# Installation Instructions

## N-SERIES TERAFRAME 1016W AIR DAM, 2 SIDES

### Installation Instruction:

1. Align the side bracket with the equipment rail (Fig.3) with the bracket top/bottom side cuts placed in slides slots (Fig. 4).

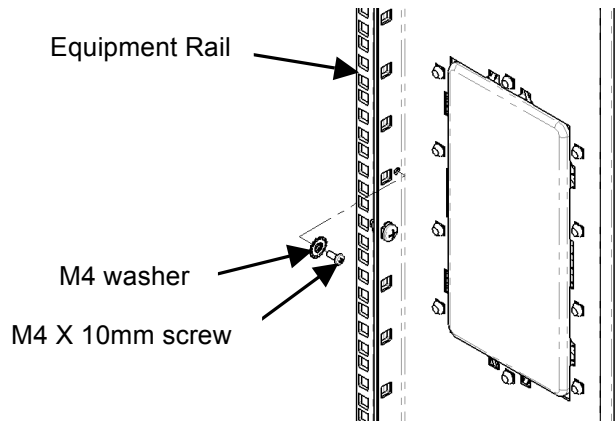
2. Fasten the bracket using five M6 X 16 mm Cage Nut/Screws (Fig. 5).



# Installation Instructions

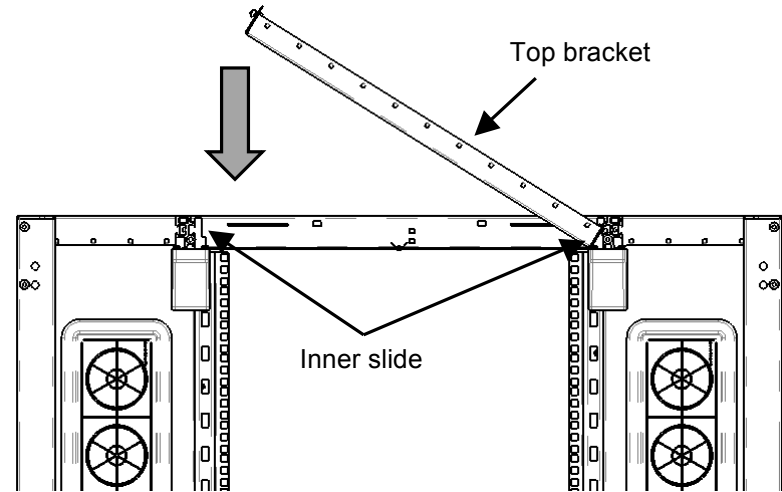
## N-SERIES TERAFRAME 1016W AIR DAM, 2 SIDES

3. Install Grounding screw and washer through each side air dam bracket into the equipment rails (Fig. 6).



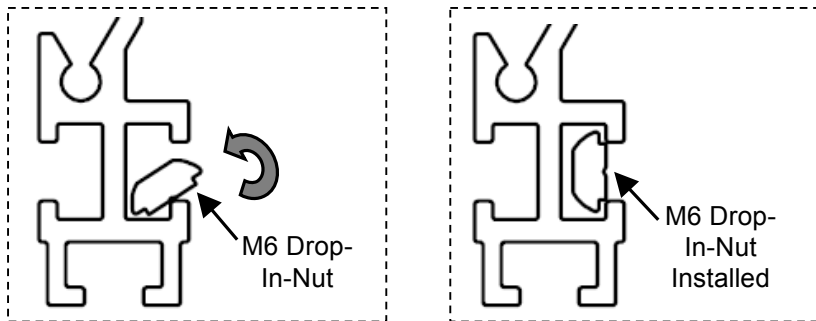
**Fig. 6**  
Grounding screw  
and washer  
installation

6. Insert top bracket from behind the rails (Fig. 8).



**Fig. 8**  
Air dam top bracket installation

4. Repeat step 1 to 3 for other side bracket.  
5. Insert Drop-In Nuts in top slide for top bracket (Fig. 7).



**Fig. 7**  
M6 Drop-In-Nut Installation

# Installation Instructions

## N-SERIES TERAFRAME 1016W AIR DAM, 2 SIDES

7. Attach top bracket using M6 X10 mm screws. Slide forward until over the rails and secure (Fig. 9).

9. Repeat step 8 for other side of Air Dam seal cut.

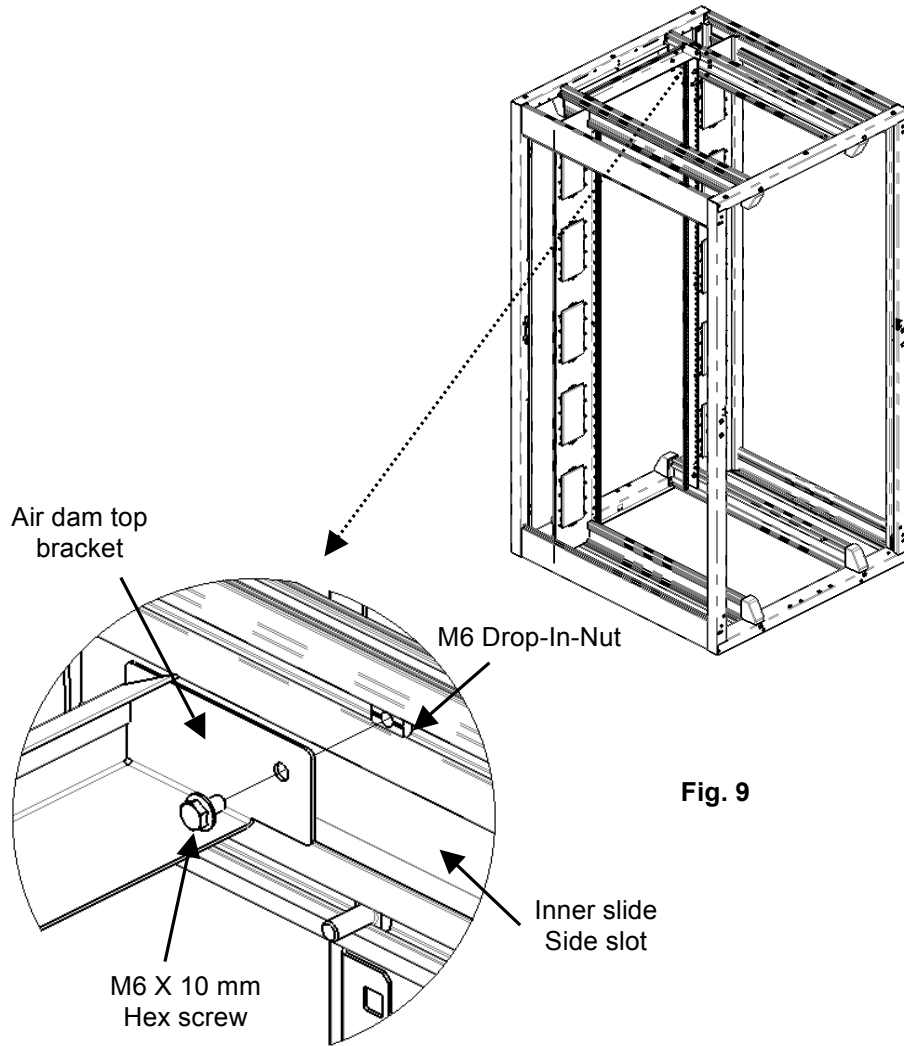


Fig. 9

8. Cut the flexible part of side air dam seal around the slides and side panel center joint. See the Fig. 10 for location of the cut.

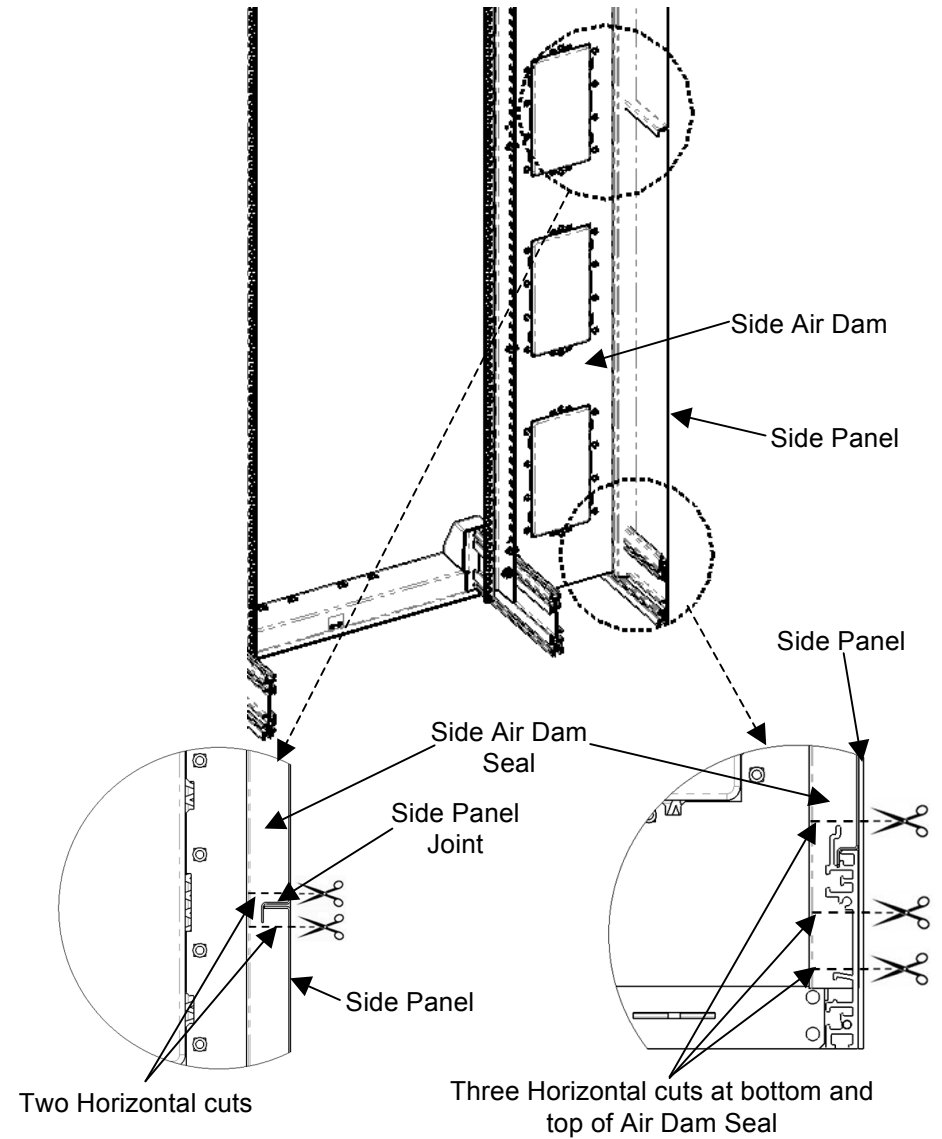


Fig. 10