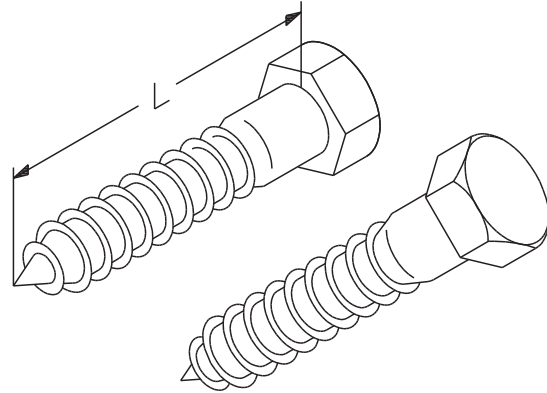


# Product Cut Sheet

## HEX LAG SCREW

Used to install racks onto wood or other soft surfaces.

- Sold individually
- Gold, chem (yellow zinc plate) over zinc plate finish
- Sold individually (each) or in packs (quantities vary)



Part Number		Nominal Size	Length	Pack Quantity	Shipping Weight lb (kg)
Each	Pack				
02006-001	02006-051	1/2-6	2"	50	6 (2.6)
02006-002	02006-052	5/8-5	2"	50	11 (4.8)
02007-004	02007-104	1/4-10	2"	100	3 (1.4)
20098-832	20098-132	3/8-7	2"	100	7 (3.0)

Note: Shipping Weights are for Packs. Pack Quantity varies.

800-834-4969 in U.S. & Canada • [www.chatsworth.com](http://www.chatsworth.com)



CHATSWORTH PRODUCTS

©2014 Chatsworth Products, Inc. All rights reserved. Chatsworth Products, CPI, CPI Passive Cooling, eConnect, MegaFrame, Saf-T-Grip, Seismic Frame, SlimFrame, TeraFrame, GlobalFrame, Cube-iT Plus, Evolution, OnTrac, QuadraRack and Velocity are federally registered trademarks of Chatsworth Products. Simply Efficient is a trademark of Chatsworth Products. All other trademarks belong to their respective companies. 07/14