

Installation Instructions

Z4-SERIES SEISMICFRAME TOP PANEL

Included Hardware:

M6 X 20mm Duo Taptite, PH screw, 6 ea.

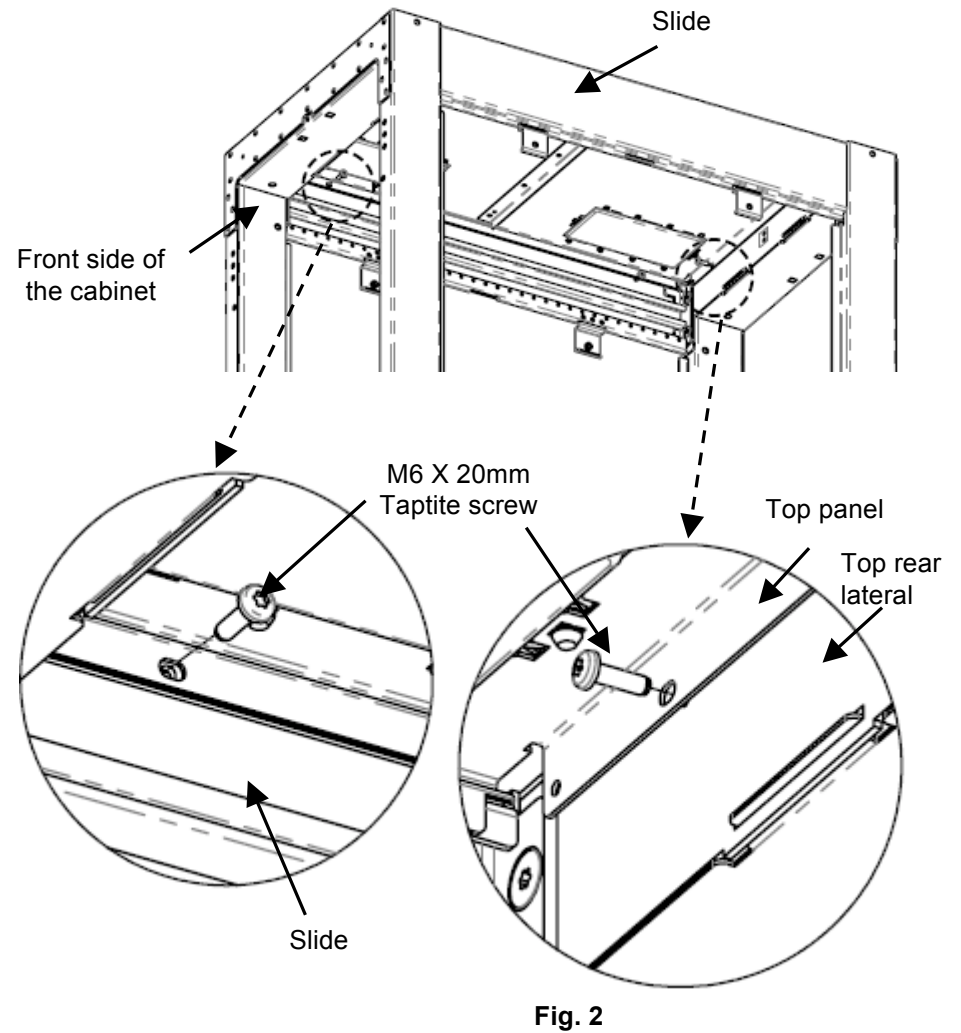
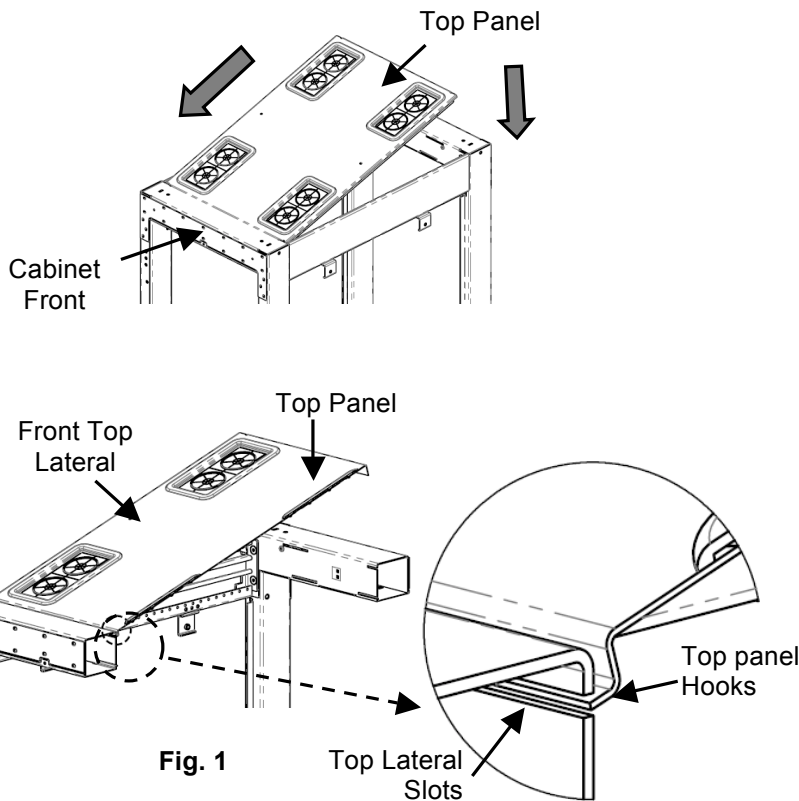
Tools Required:

T30 Torx driver

Installation Instructions:

1. Position the top panel onto the top of the cabinet at an inclined position (Fig. 1).
2. Slide the top panel hooks into the front top lateral slots on the cabinet frame (Fig. 1).

3. Lower top panel to fasten with slides and top lateral using M6 X 20mm taptite screws (Fig. 2 and 3). Torque to 168 in-lb (19 N-m).



Installation Instructions

Z4-SERIES SEISMICFRAME TOP PANEL

4. To remove top panel, loosen all taptite screw. Lift top panel off from cabinet (Fig. 3).

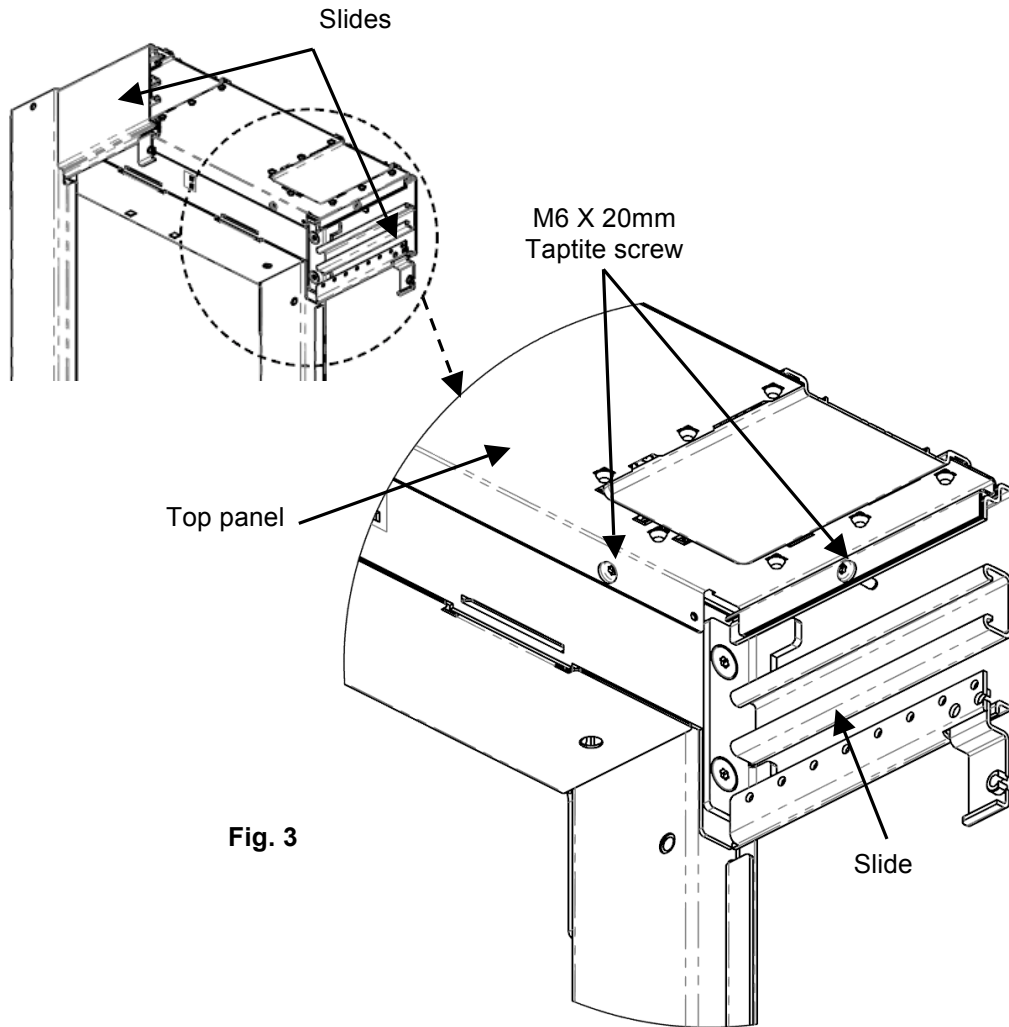


Fig. 3

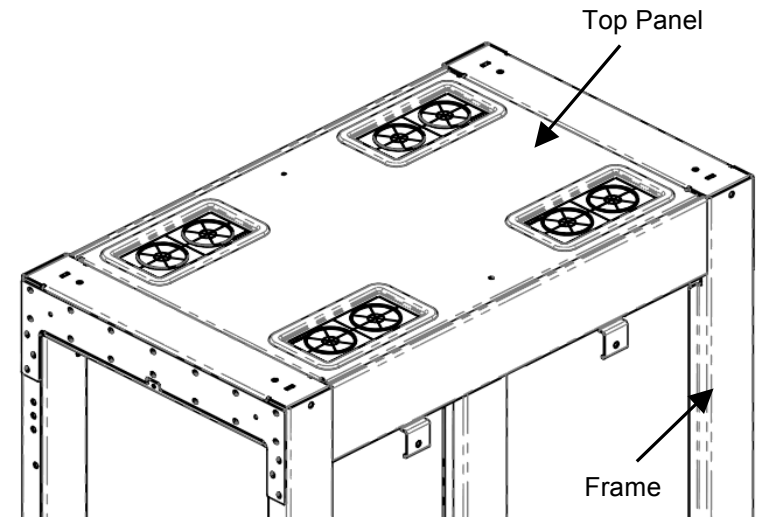


Fig. 4
Top panel installed
condition