

Installation Instructions

Z4-SERIES SEISMICFRAME CABINET CASTER, LEVELER KIT

Safety Information:



WARNING: Improper use of this product may lead to serious injury. Read and understand all instructions for proper installation and use of this product.



WARNING: Do not attempt to move large cabinets by yourself. Obtain adequate assistance to stabilize the cabinet during movement or hire professional equipment riggers.



WARNING: Move cabinets on installed casters with extreme care. Sudden stops, excessive force, and uneven surfaces may cause the cabinet to overturn. It is easier to move the cabinet with the back as the leading edge. Never push on the sides.



WARNING: Unload equipment from the cabinet before moving it.



WARNING: Before loading equipment in the cabinet, remove casters and leveling feet.



WARNING: The cabinet can support many system configurations. The amount of force required to tip or make the cabinet unstable differs with each configuration.



WARNING: A standalone cabinet should be level, stable, and anchored to the floor. Two or more cabinets can be bayed together (coupled) to enhance their stability.



WARNING: Each cabinet should be anchored to the floor.



WARNING: Do not use casters to stabilize the cabinet; always anchor the cabinet frame to the floor.



WARNING: Always load heavy equipment, such as a UPS, at the bottom of the cabinet first, and add lighter equipment on higher levels. There is a safety risk when equipment is mounted on a shelf installed more than 30 inches (760 mm) above the floor in a cabinet without doors and/or side panels. The equipment may accidentally slide or be accidentally pushed off the shelf and fall on personnel. When equipment is mounted on a shelf in this condition, securely fasten the equipment to the shelf or cabinet frame. The following accessories may be used to secure certain equipment on shelves: monitor tie-down kit (P/N 11725-701), seismic equipment tie-down bracket (P/N 14061-719), or equipment tie-down bracket (P/N 16356-719).



CHATSWORTH PRODUCTS

IIS-714425, 03/20/14, Rev. 1, CPI/BMO

800-834-4969 (USA & Canada) • www.chatsworth.com • techsupport@chatsworth.com

For international phone numbers, see our website or contact CPI Tech Support.

This drawing contains proprietary and confidential information and is protected by U.S. and international law. Unauthorized reproduction, disclosure or use of the drawing or the information therein is expressly forbidden except as agreed to in writing by Chatsworth Products, Inc.

Installation Instructions

Z4-SERIES SEISMICFRAME CABINET CASTER, LEVELER KIT

Included Hardware:

- M6 Hex nut, 16 ea.
- M6 X 16mm Screw, 16 ea.
- M8 X 20mm Screw, 4 ea.

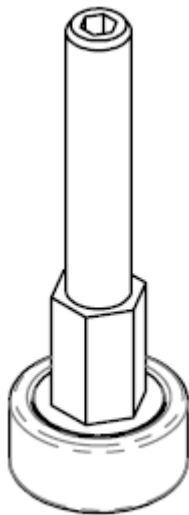
Tools Required:

- 10 mm Socket Wrench
- 13 mm Socket Wrench
- #2 Phillip screw driver

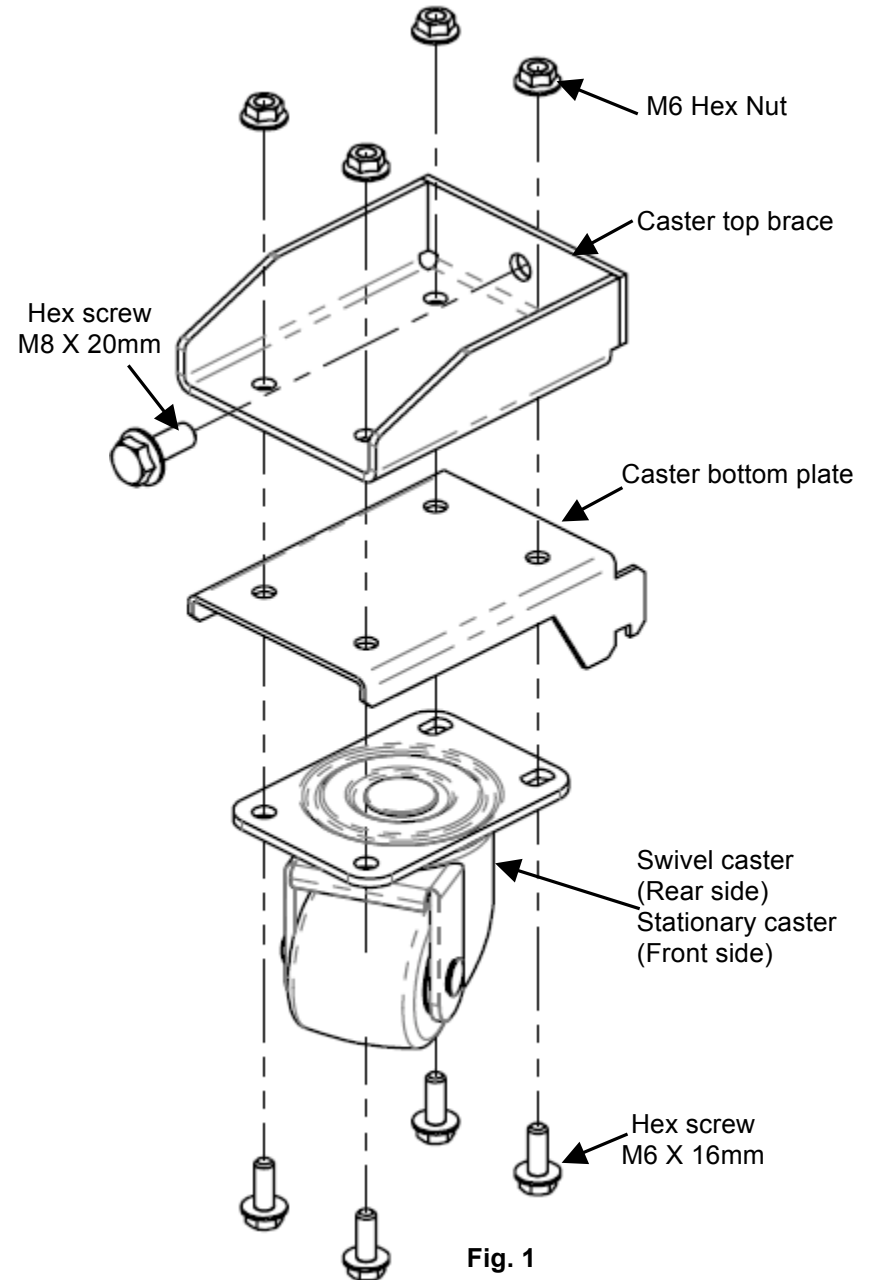
Assembly Sequence:

Two swivel casters are mounted at the rear corners of the cabinet and the two fixed casters are mounted at the front corners of the cabinet.

1. Extend the cabinet levelers down to allow enough space to install the casters, about 2.30" between the bottom of frame and floor.



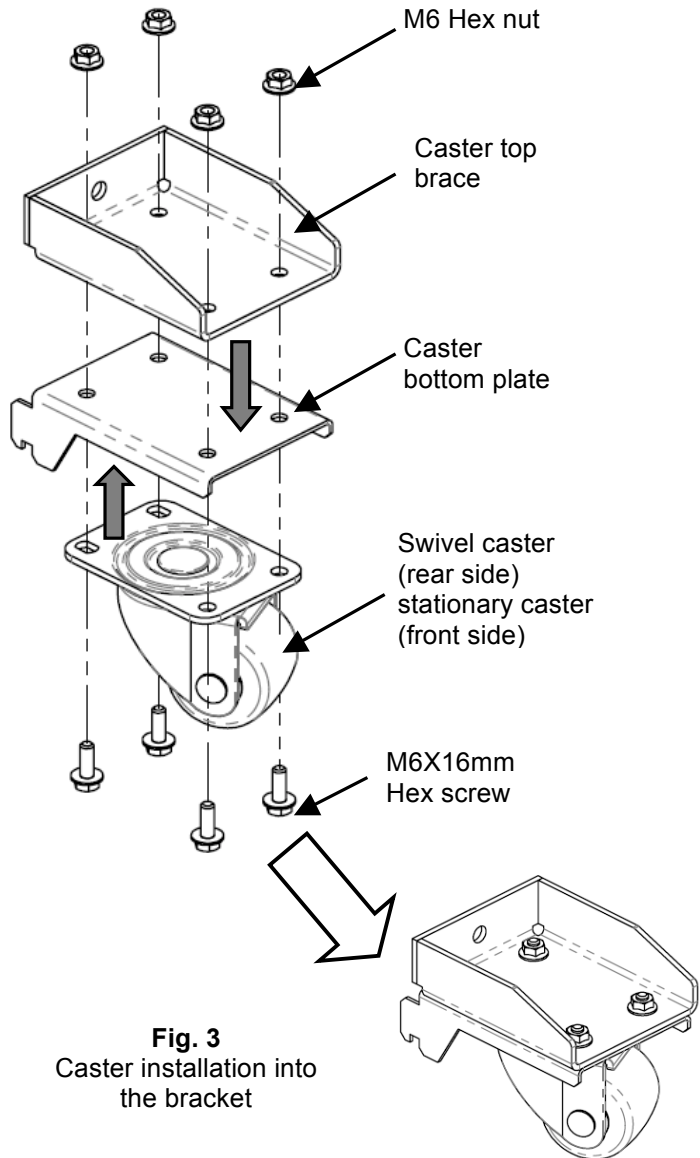
Leveler



Installation Instructions

Z4-SERIES SEISMICFRAME CABINET CASTER, LEVELER KIT

2. Assemble the casters to the brackets using M6 nuts with M6X16mm hex screws, torque to (66 in-lb. [7.5 Nm]) (Fig. 3).



3. Position the caster assembly between the inner and outer slides (Fig. 4).
4. Slide the caster assembly into the bottom lateral slot until it stops against the frame lateral. It should be locked in to the frame (Fig.4).
5. Fasten caster and bracket assembly to the side of the bottom lateral using M8X20mm screws (212 in-lb [24 Nm]) (Fig. 4).

