

Installation Instructions

Z4-SERIES SEISMICFRAME SIDE PANEL ASSEMBLY

Included Hardware:

M6 Hex Nut, 2 ea.

M8X20mm Hex Flange screw, 4 ea.

Tools Required:

10mm Socket Wrench

13mm Socket Wrench

Assembly Sequence:

1. Assemble the grounding wires to the studs available on the frame vertical members using M6 nuts (Fig. 1). The grounding wire can be assembled either at the front or rear of the frame. Torque nuts to 38 in-lb (4.3 N-m).

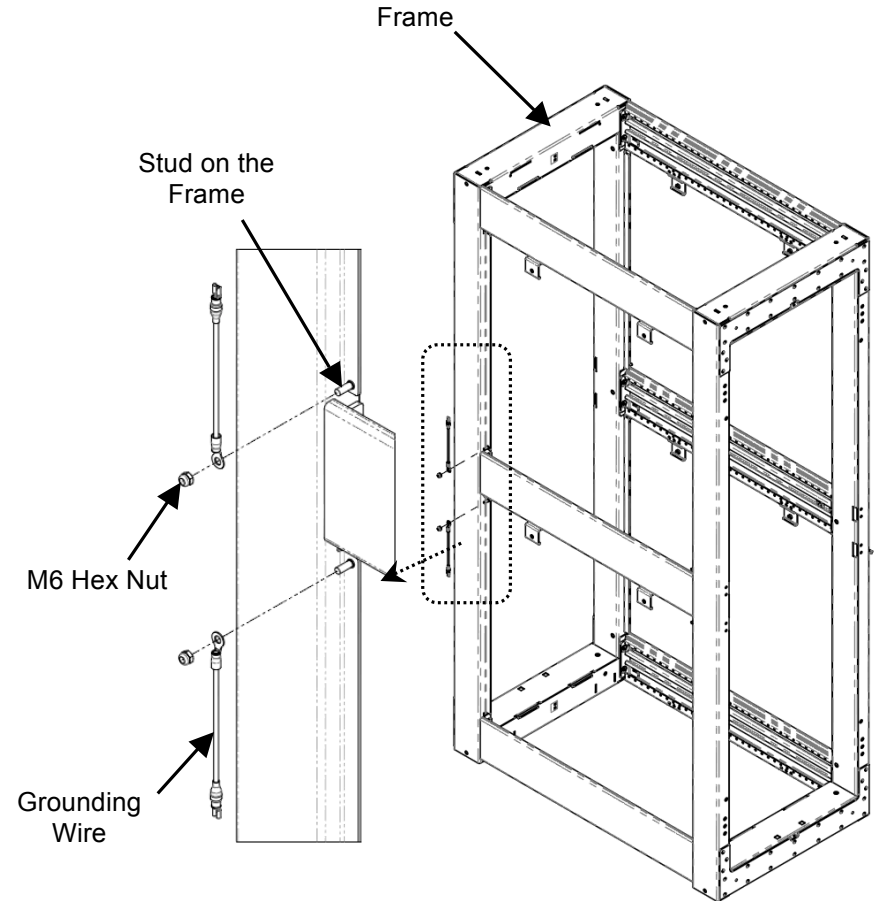


Fig. 1
Grounding Wire Attachment

Installation Instructions

Z4-SERIES SEISMICFRAME SIDE PANEL ASSEMBLY

2. Rest the bottom side panel on the lower frame slide. Swing the bottom side panel towards the frame. Attach the grounding wire using the quick connect on the bottom side panel (Fig. 2).

3. Finish swinging side panel toward frame until panel stops on side panel catches. Bolt the side panel to side panel catch with using M8X20mm Hex screws (Fig. 3). Torque to 212 in-lb (24 N-m).

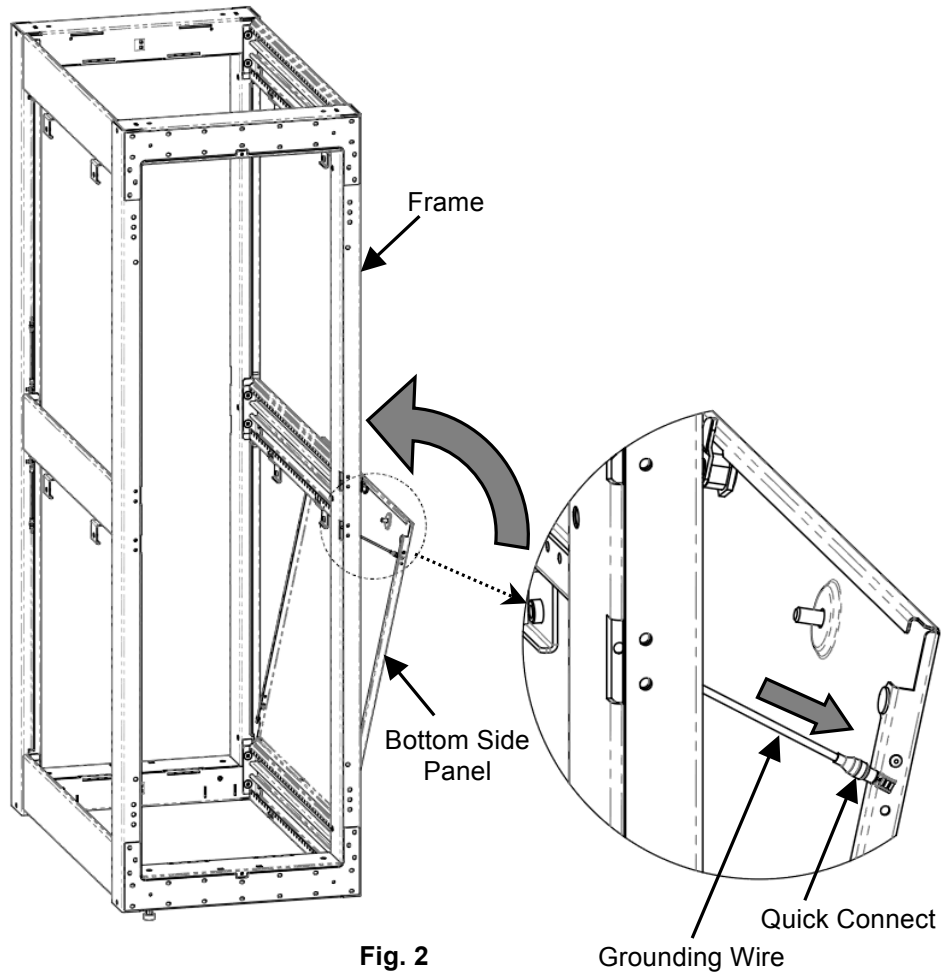


Fig. 2
Bottom Side Panel
Attachment

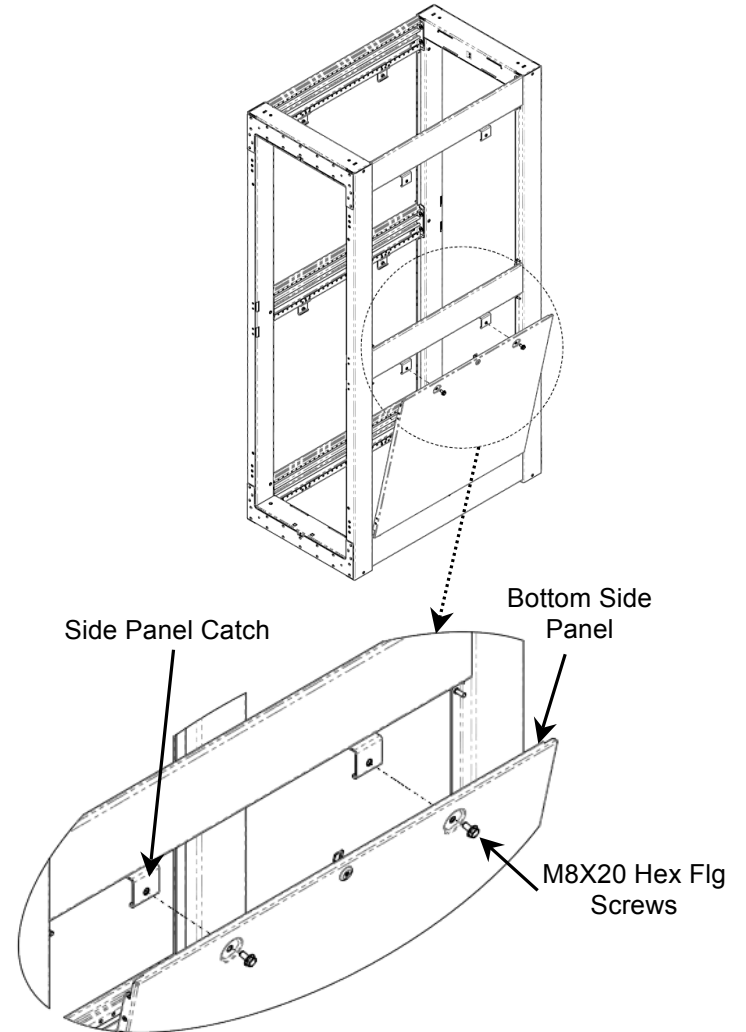
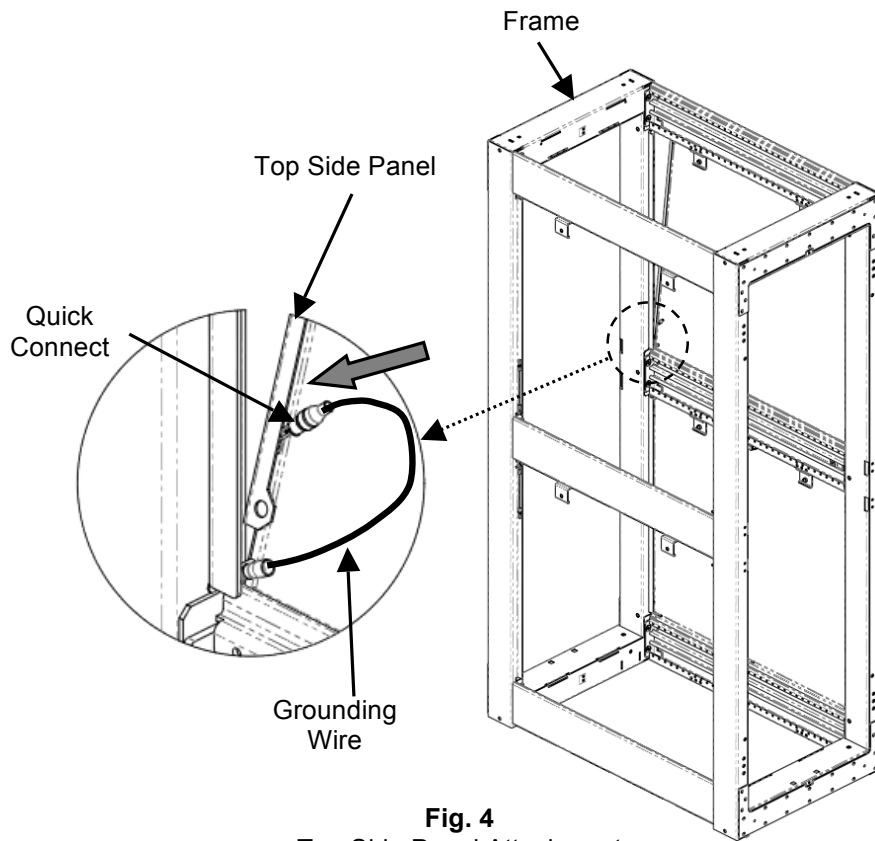


Fig. 3
Bottom Side Panel
and Side Panel
Catch

Installation Instructions

Z4-SERIES SEISMICFRAME SIDE PANEL ASSEMBLY

4. Rest the top side panel on center slide. Swing the top side panel toward the frame. Attach the grounding wire using the quick connect on the top side panel (Fig. 4).



5. Finish swinging side panel toward frame until panel stops on side panel catches. Bolt to panel catch using M8X20mm Hex screws (Fig.5).
6. Use key to latch the top and bottom side panel latches for securing side panels when not in use (Fig. 6).

