

Installation Instructions

Z4-SERIES SEISMICFRAME RING CABLE MANAGER 600 MM

Included Hardware:

M6 X 20mm Duo Taptite, PH Screw, 4 ea.

Tools Required:

T30 Torx driver

Assembly Notes:

The set back distance for installation of ring cable manager must be a minimum of 9.55" (243 mm) (Fig. 3).

Installation Instructions

The ring cable manager (Fig. 1) attaches to the cabinet slides (Fig. 2).

1. Position one of the ring cable manager brackets at the desired location along the cabinet slides.
2. Fasten ring cable manager bracket using M6X20mm screws into the mounting holes on slides (Fig2 detail). Torque to 168 in-lb (19 N-m).
3. Repeat steps (1-2) for the other ring cable manager bracket.

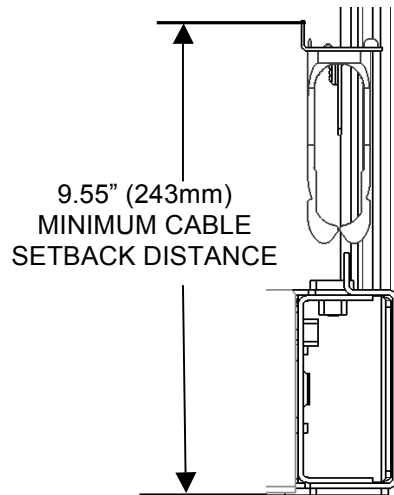


Fig. 3
Minimum Cable set
back distance

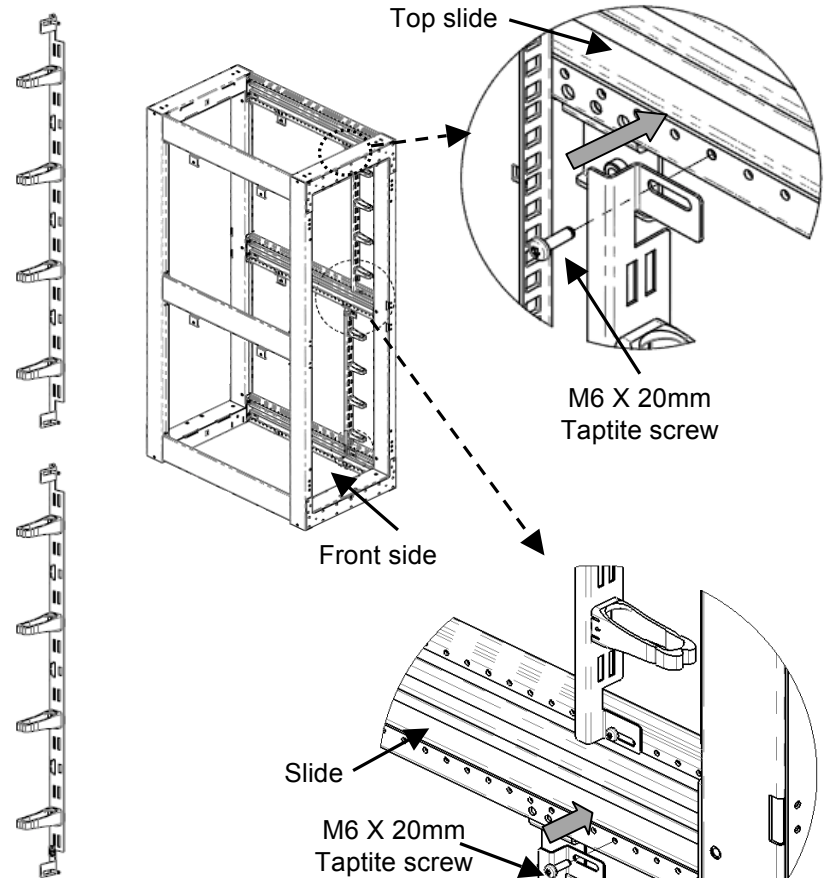


Fig. 1
Ring Cable
Manager.
(600mm wide)

Fig. 2
Ring cable manager
installation



CHATSWORTH PRODUCTS, INC.

IIS-714440, 12/25/13, Rev. 1,
800-834-4969 (USA & Canada) • www.chatsworth.com • techsupport@chatsworth.com
For international phone numbers, see our website or contact CPI Tech Support.

This drawing contains proprietary and confidential information and is protected by U.S. and international law. Unauthorized reproduction, disclosure or use of the drawing or the information therein is expressly forbidden except as agreed to in writing by Chatsworth Products, Inc..