

Installation Instructions

Z4-SERIES SEISMICFRAME RING CABLE MANAGER 800 MM

Included Hardware:

M6 X 20mm Duo Taptite, PH Screw, 4 ea.

Tools Required:

T30 Torx driver

Assembly Notes:

The set back minimum distance for installation of cable manager ring must be 9.7" (256 mm) (Fig. 3).

Installation Instructions

The Ring Cable Manager (Fig.1) attaches to the cabinet slides (Fig 2).

1. Position one of the ring cable manager brackets at the desired location along the cabinet slides.
2. Fasten ring cable manager bracket using M6 X 20mm screws into the mounting holes on slides (Fig 2 detail). Torque to 168 in-lb (19 N-m).
3. Repeat steps (1-2) for the other ring cable manager bracket.

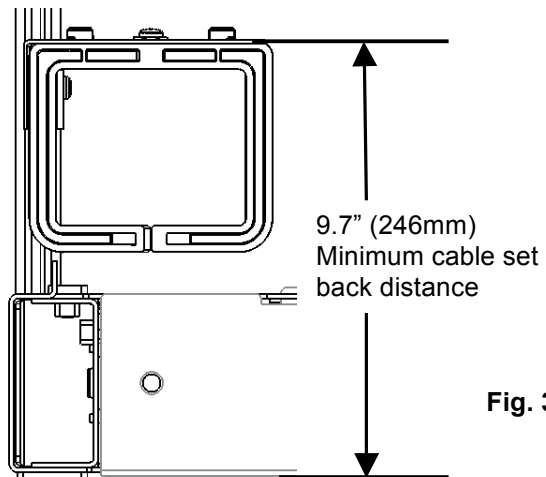


Fig. 3

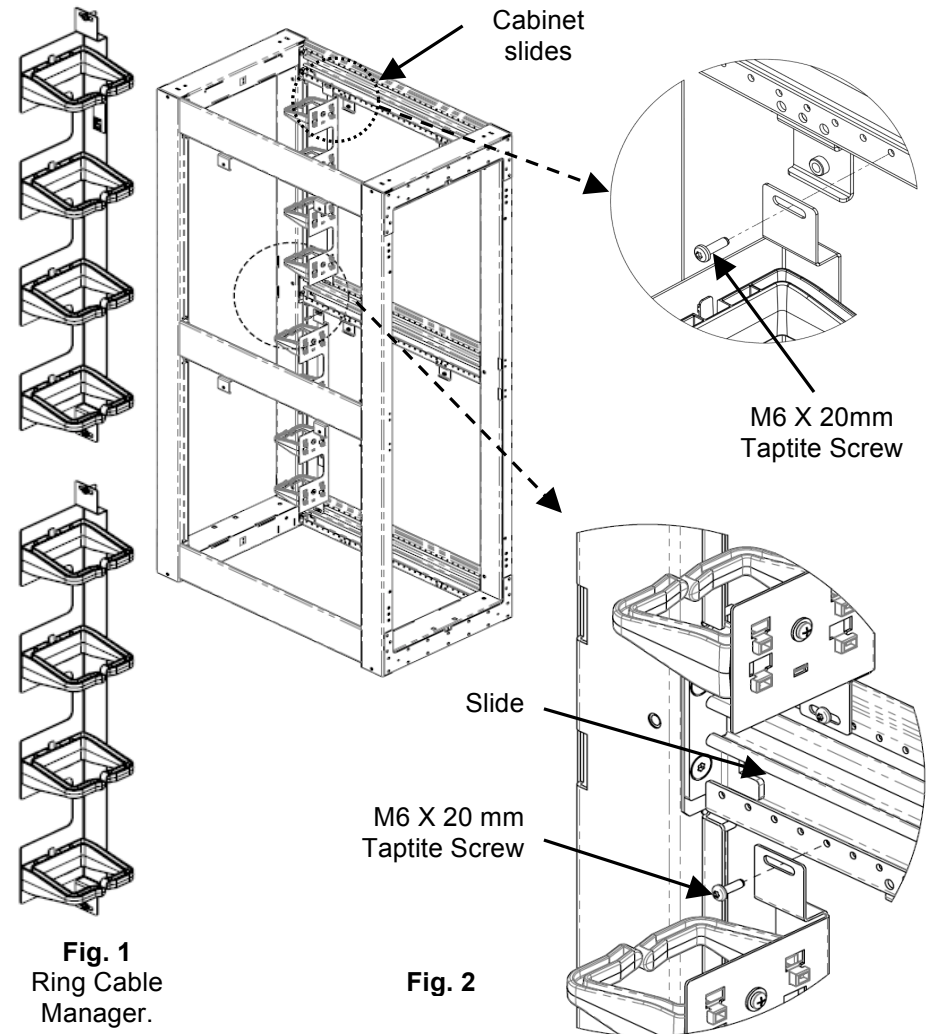


Fig. 1
Ring Cable
Manager.
(800 mm wide)

Fig. 2



CHATSWORTH PRODUCTS, INC.

IIS-714445, 12/25/13, Rev. 1,
800-834-4969 (USA & Canada) • www.chatsworth.com • techsupport@chatsworth.com
For international phone numbers, see our website or contact CPI Tech Support.

This drawing contains proprietary and confidential information and is protected by U.S. and international law. Unauthorized reproduction, disclosure or use of the drawing or the information therein is expressly forbidden except as agreed to in writing by Chatsworth Products, Inc..