

# Installation Instructions

## Z4-SERIES SEISMICFRAME REAR DOOR 2-POINT KEYED LOCK KIT

### Included Hardware:

M10 Washer, 1 ea.  
M6 X 11mm Clevis Pin, 2 ea.  
6 mm E-ring Ext., 2 ea.

### Tools Required:

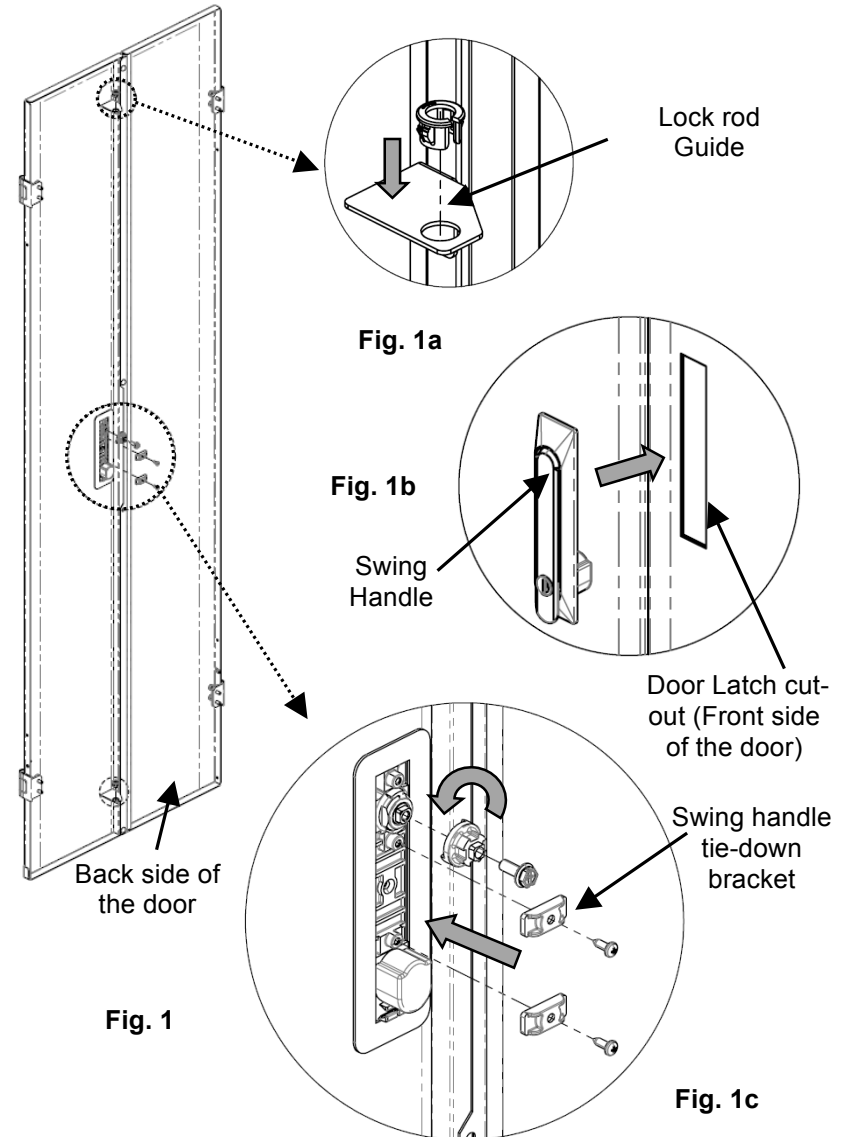
#3 Phillips screw driver

### Installation Notes:

- To simplify assembly, remove the door from cabinet.

### Assembly Sequence

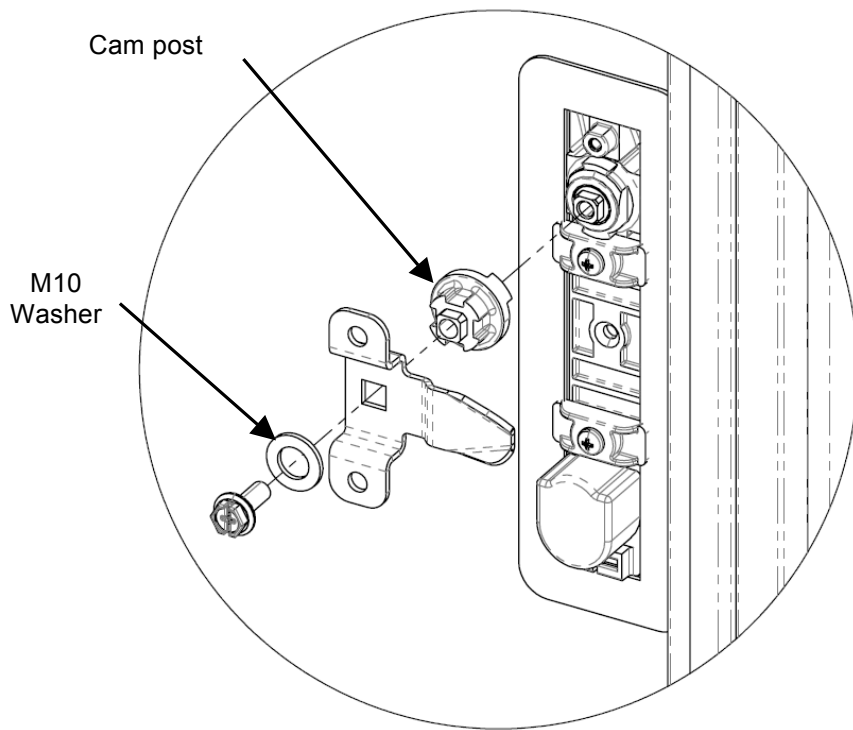
1. Install lock rod guides in the top and bottom door brackets. Do not insert the lock rods yet (Fig. 1a).
2. Place the swing handle into the door face latch plate with the key hole down (Fig. 1b).
3. Position the swing handle on the outside of the door against the inner panel latch plate with the cam post and lock cylinder protruding through the inner panel latch plate.
4. Secure the swing handle to the inner panel latch plate with the swing handle tie-down bracket and 2 screws in the top and bottom holes (Fig.1c).



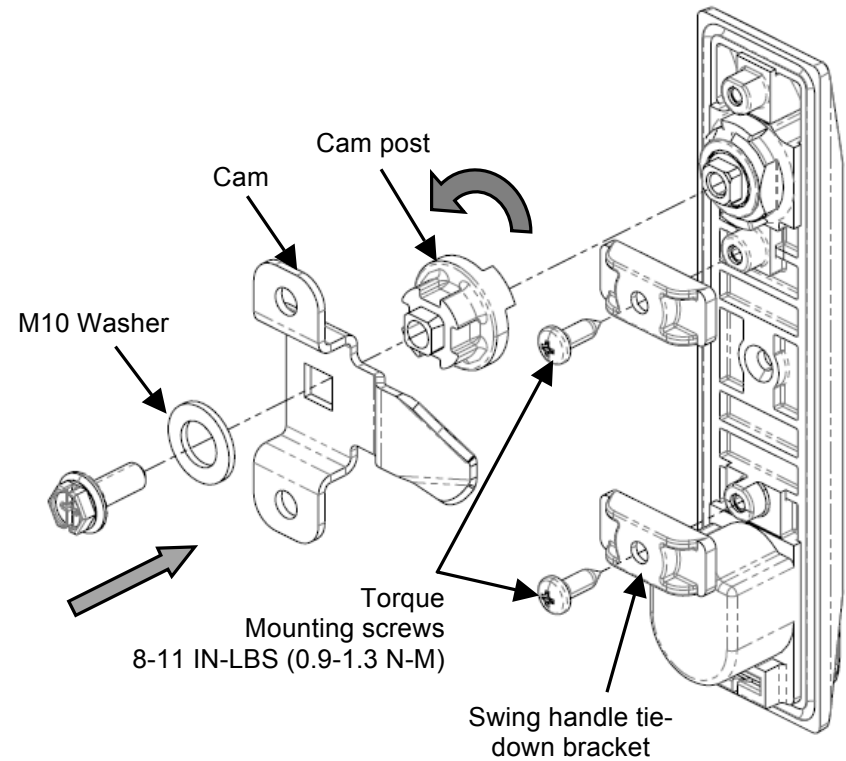
# Installation Instructions

## Z4-SERIES SEISMICFRAME REAR DOOR 2-POINT KEYED LOCK KIT

5. Place the cam onto the cam post as shown. Check swing handle operation direction (Fig. 2).



**Fig. 2**



**Fig. 3**  
Latch back side view

6. To change the direction, remove the cam, rotate the cam post, and reattach (Fig. 3).

7. Insert the lock rods through the guides with the short rod on top and the long rod on bottom (Fig. 4).

# Installation Instructions

## Z4-SERIES SEISMICFRAME REAR DOOR 2-POINT KEYED LOCK KIT

8. Insert the cam assembly pins through the short rod (on top) and the long rod (on bottom), then through the other half of the cam assembly and lock it using an E-ring (Fig. 4).
9. Attach the cam assembly to the cam post with one M6 X 16 mm combo hex head screw and M10 washer.

