

Installation Instructions

Z4-SERIES SEISMICFRAME CABLE LASHING MANAGER

Included Hardware:

M6X20mm Taptite PH Torx screw, 4 ea.

Tools Required:

T30 Torx driver

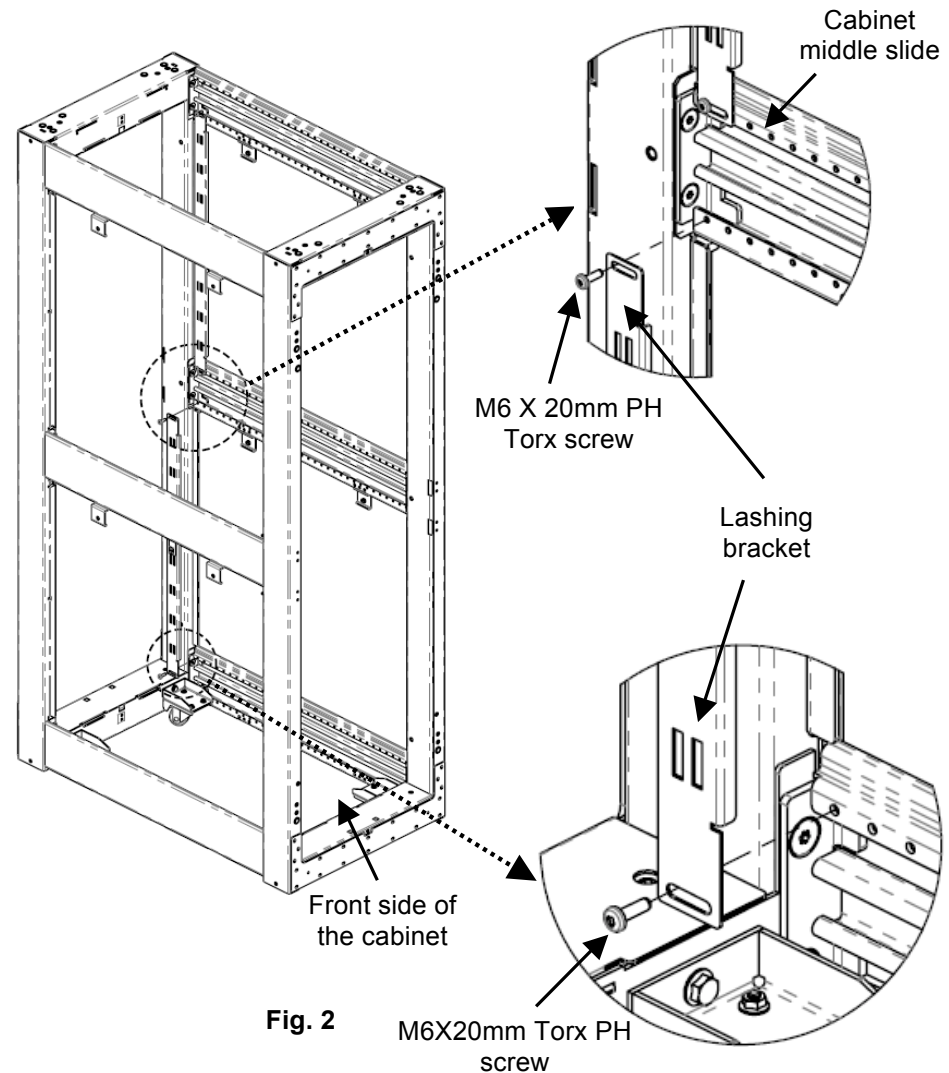
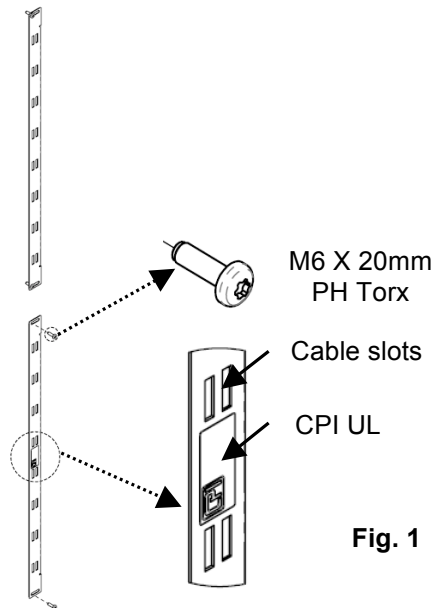
Assembly Notes:

The Lashing bracket provides attachment points for cable ties or Velcro straps (Fig. 3).

Installation Instructions:

The Lashing bracket (Fig. 1) attaches to the cabinet slides (Fig. 2).

1. Position the Lashing bracket at the desired location along the Cabinet slides (Fig.2).
2. Fasten the bracket using M6 X 20mm PH Torx screw into slide. Torque to 168 in-lbs (19 N-m).



IIS-714465, 03/25/14, Rev.1 , CPI/BMO
800-834-4969 (USA & Canada) • www.chatsworth.com • techsupport@chatsworth.com
For international phone numbers, see our website or contact CPI Tech Support.

This drawing contains proprietary and confidential information and is protected by U.S. and international law. Unauthorized reproduction, disclosure or use of the drawing or the information therein is expressly forbidden except as agreed to in writing by Chatsworth Products, Inc.