

Installation Instructions

Z4-SERIES SEISMICFRAME FRONT AND REAR RAIL 800 MM

Safety Information



WARNING: Failure to properly install equipment rails can result in improper rail grounding. Improper use of this product may lead to serious injury. Read and understand all instructions for proper installation and use of this product.

Included Hardware:

M8 Strut nut, 30 ea.

M8 X 20mm HH Screw, 30 ea.

Tools Required:

13mm socket wrench

Assembly Note:

1. The rear equipment mounting rail must be setback a minimum distance when used with Cable manager ring (Fig. 1).

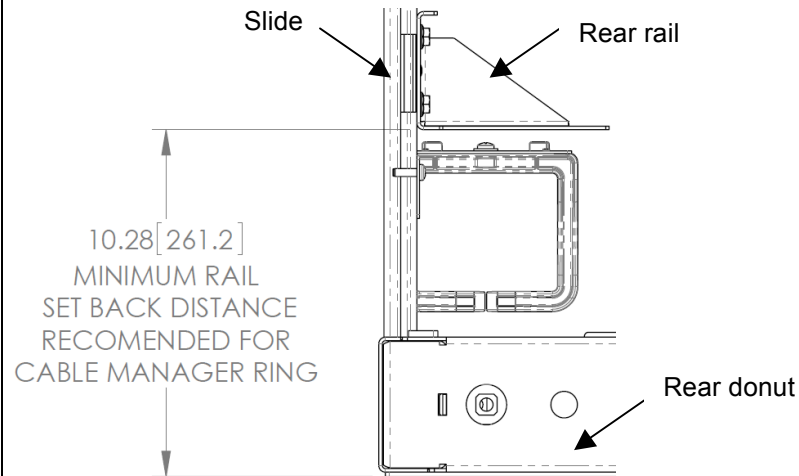


Fig. 1
Top sectional view

2. For a GR-63-CORE seismically rated system, front rails must be attached to the front verticals using included M8 HH screws (Fig.2), tightened to approximately 168 in-lbs [19 N-m].

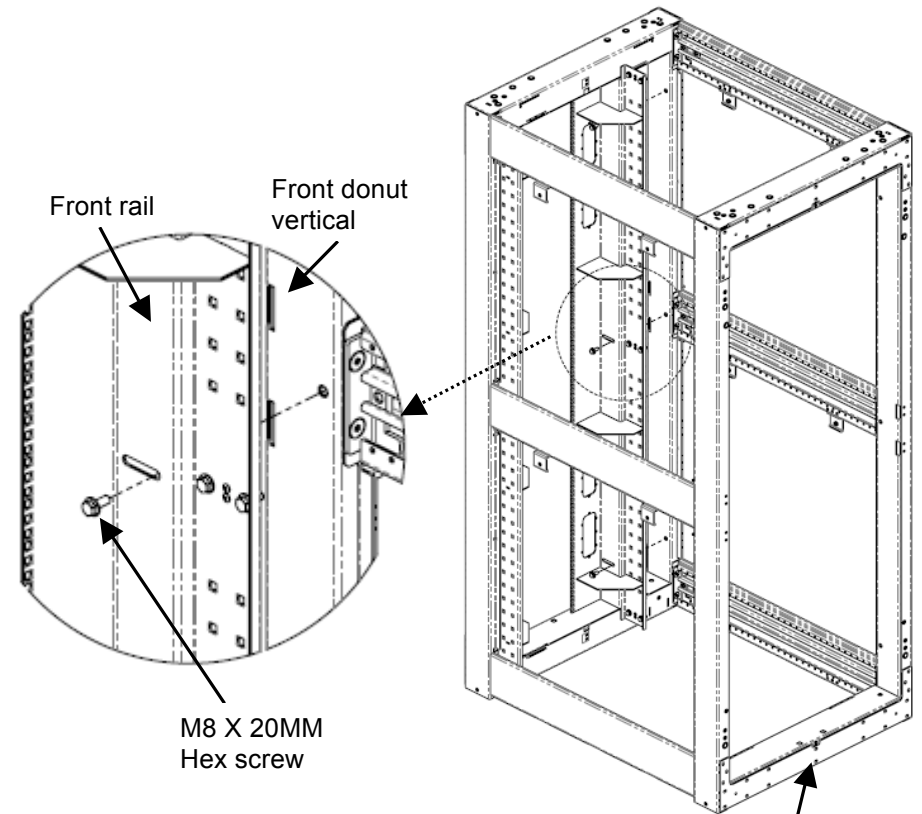


Fig. 2

Rear side of the cabinet
identified by swivel caster



IIS-714470 07/01/14, Rev. 1, CPI/BMO

800-834-4969 (USA & Canada) • www.chatsworth.com • techsupport@chatsworth.com

For international phone numbers, see our website or contact CPI Tech Support.

This drawing contains proprietary and confidential information and is protected by U.S. and international law. Unauthorized reproduction, disclosure or use of the drawing or the information therein is expressly forbidden except as agreed to in writing by Chatsworth Products, Inc.

Installation Instructions

Z4-SERIES SEISMICFRAME FRONT AND REAR RAIL 800 MM

Assembly Sequence:

The Front and Rear rail (Fig. 3) attaches to the cabinet slide

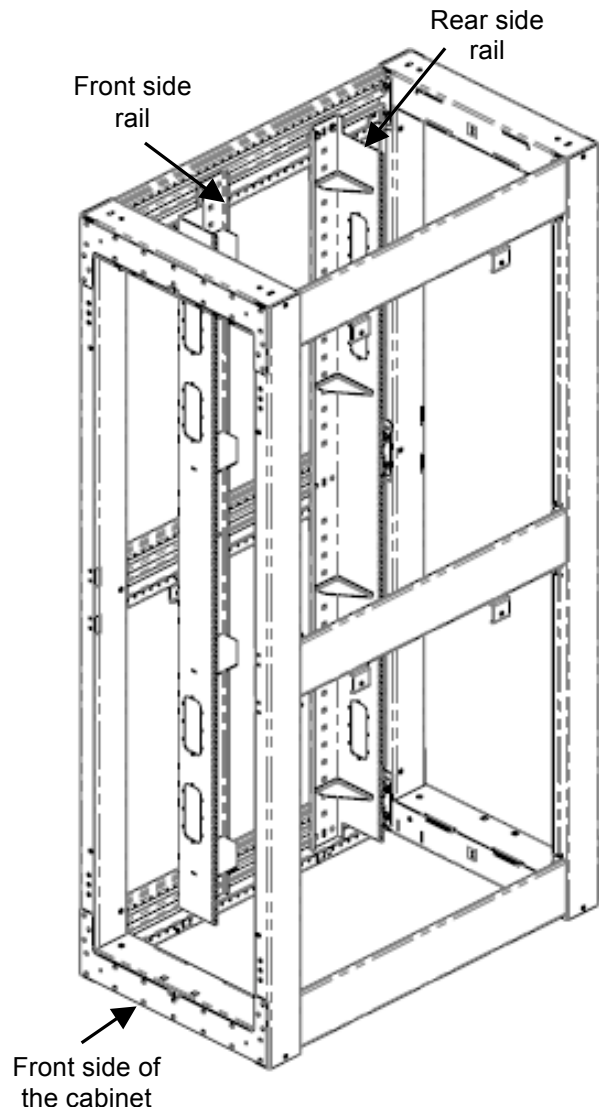


Fig. 3
Rail Installation

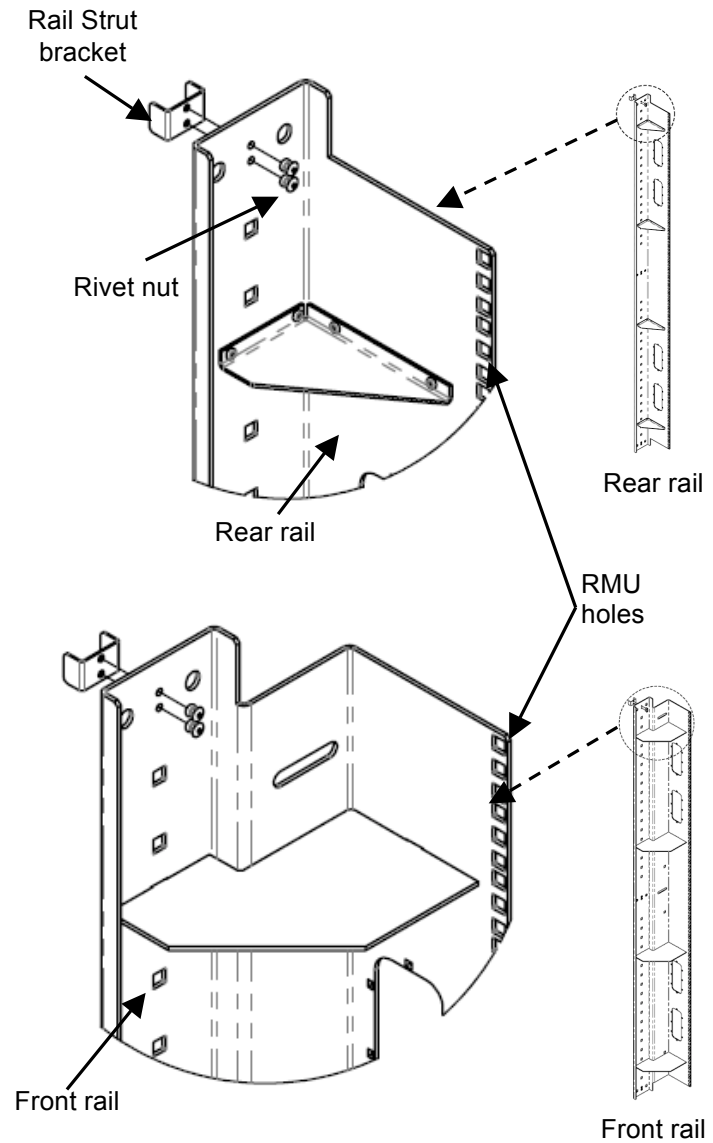


Fig. 4
Front and Rear rail

Installation Instructions

Z4-SERIES SEISMICFRAME FRONT AND REAR RAIL 800 MM

1. Position Front and Rear rail as shown (Fig. 4 and 5).

2. Insert Strut Nuts in slides (Fig. 6)

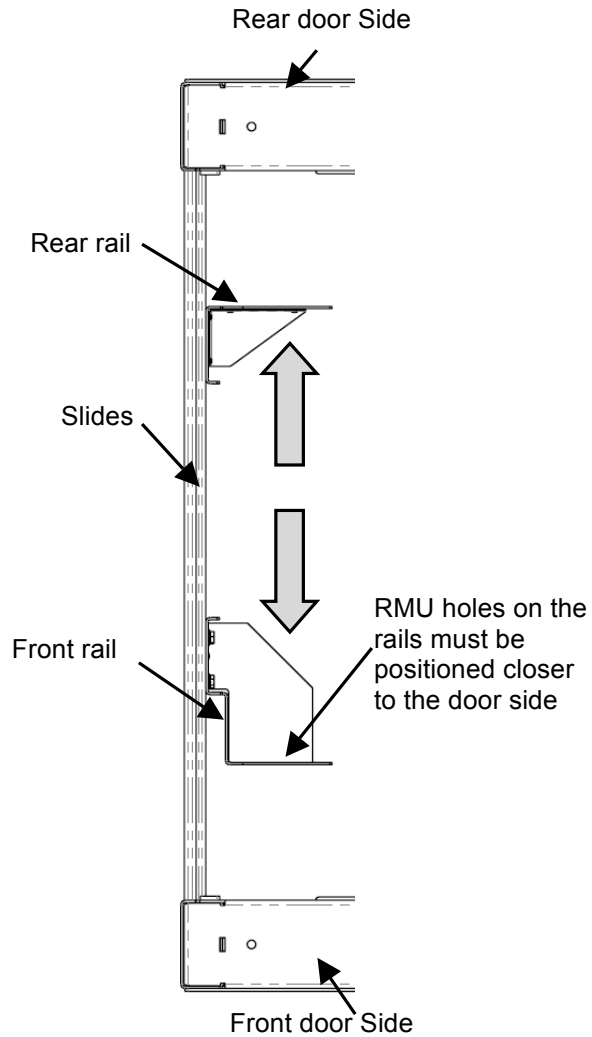


Fig. 5
Top Sectional View

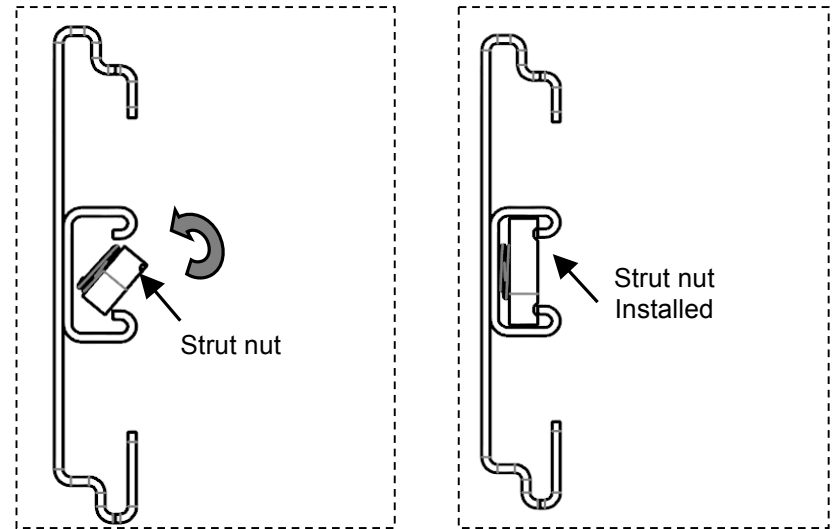


Fig. 6
Strut nut Installation

Installation Instructions

Z4-SERIES SEISMICFRAME FRONT AND REAR RAIL 800 MM

3. Fasten rail using two M8 Strut nuts onto two M8X20mm Hex screws in frame slides (Fig. 7 and 8). Tighten to approximately 168 in-lbs [19 N-m].
4. Repeat above steps for other Equipment rail. The slides are marked to help vertically align the rails (Fig. 8).

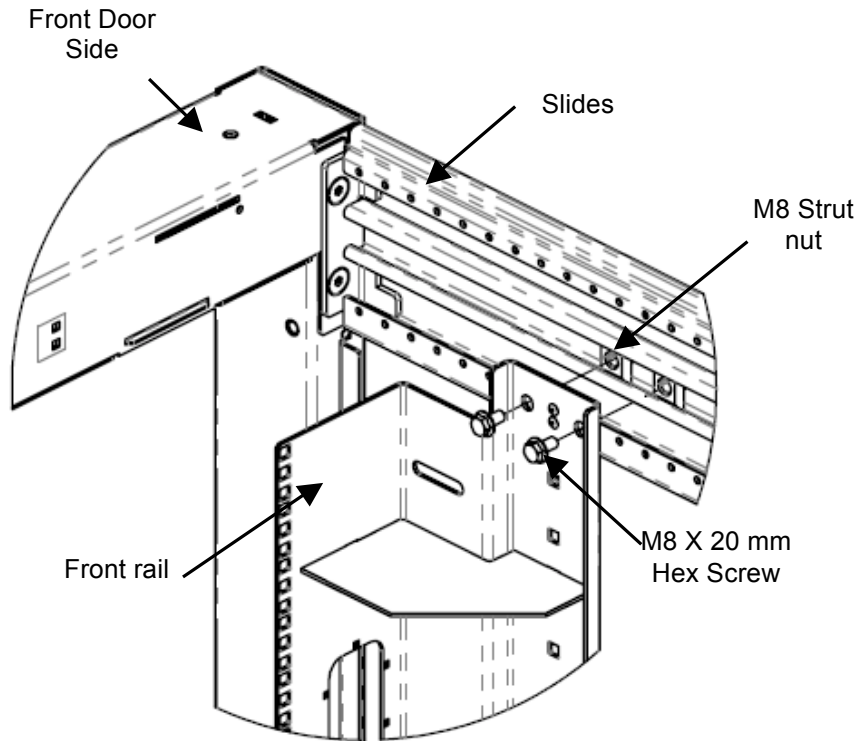


Fig. 7
Front rail assembly

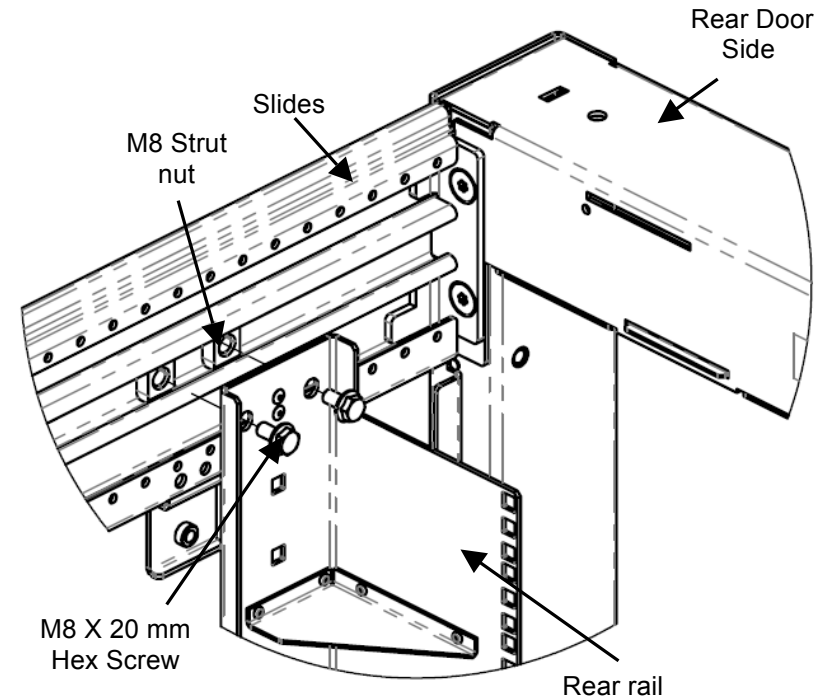


Fig. 8
Rear rail assembly