

Installation Instructions

Z4-SERIES SEISMICFRAME BAYING BRACKET KIT

Included Hardware:

M8 Hex Flange Nut, 4 ea.

M8X20mm Hex Head Flange Screw, 4 ea.

Tools Required:

13mm Socket wrench.

Assembly Sequence:

1. Remove the hole plugs before installing Baying kit (Fig. 2).
2. Determine if using Imperial or metric spacing of cabinets. Cabinets centered on inches use outer set of holes. Metric spacing uses inside holes (Fig. 1).

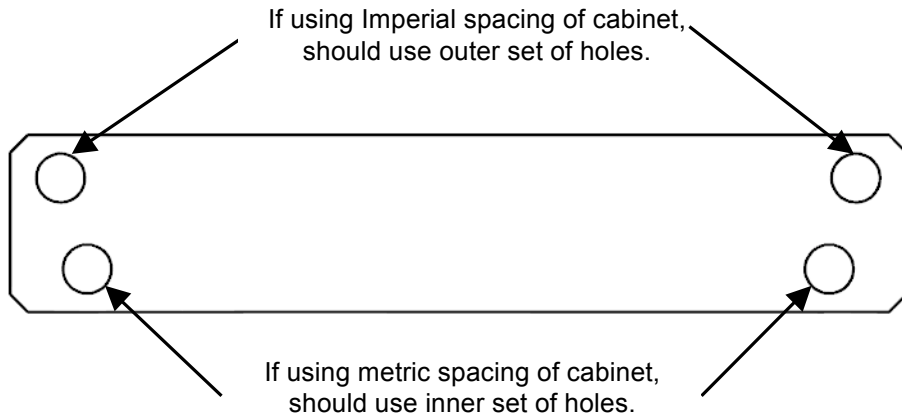


Fig. 1
Seismic baying bracket

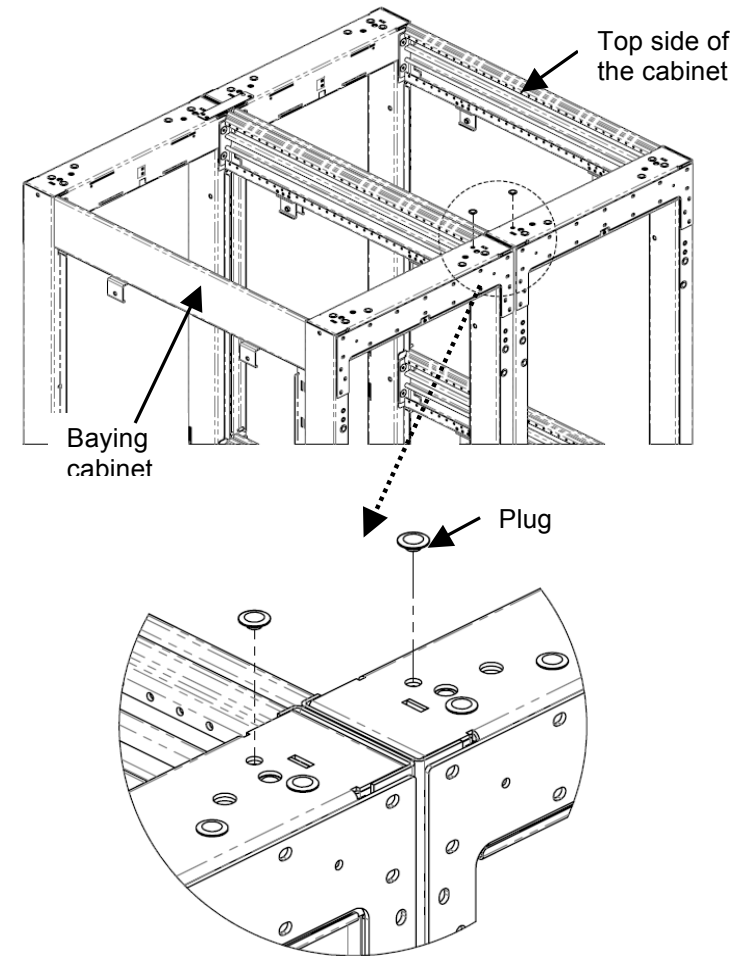


Fig. 2



IIS-714475, 03/25/14, Rev. 1, CPI/BMO
800-834-4969 (USA & Canada) • www.chatsworth.com • techsupport@chatsworth.com
For international phone numbers, see our website or contact CPI Tech Support.

This drawing contains proprietary and confidential information and is protected by U.S. and international law. Unauthorized reproduction, disclosure or use of the drawing or the information therein is expressly forbidden except as agreed to in writing by Chatsworth Products, Inc.

Installation Instructions

Z4-SERIES SEISMICFRAME BAYING BRACKET KIT

3. Place bracket flat against frame top. For centering on inches, outer set of holes must be used. For metric spacing, rotate the bracket 180 degrees and inner set of holes must be used (Fig. 1 and Fig 3).
4. Line up proper set of holes on bracket with holes on frame. Screw bracket in place using included screws and nuts, torque to 212 in-lbs [24 N-m].
5. Repeat using bracket at top of frame on rear side.

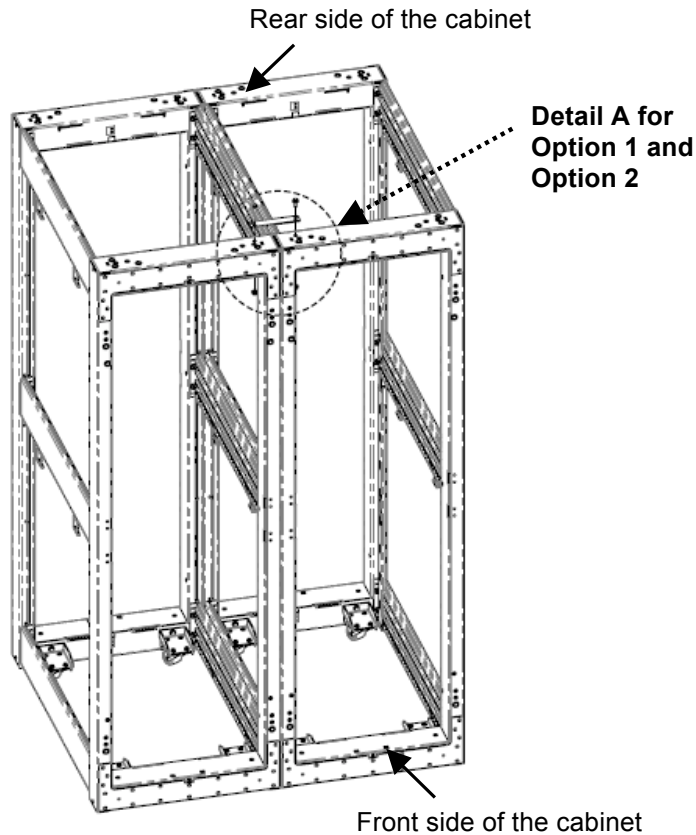
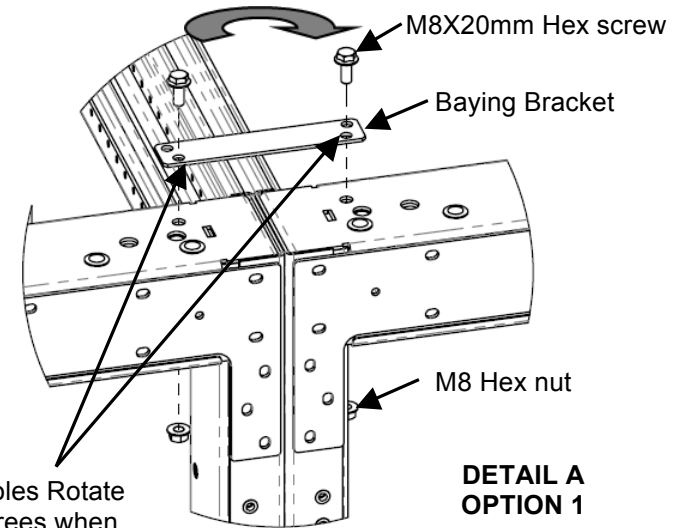


Fig. 3
Baying Bracket Installation



Metric spacing holes Rotate bracket 180 degrees when using metric spacing (Inner holes must be used).

