

# Installation Instructions

## Z4-SERIES SEISMICFRAME FRONT DOOR SINGLE-POINT LATCH

### Included Hardware:

M10 Washer, 1 ea.

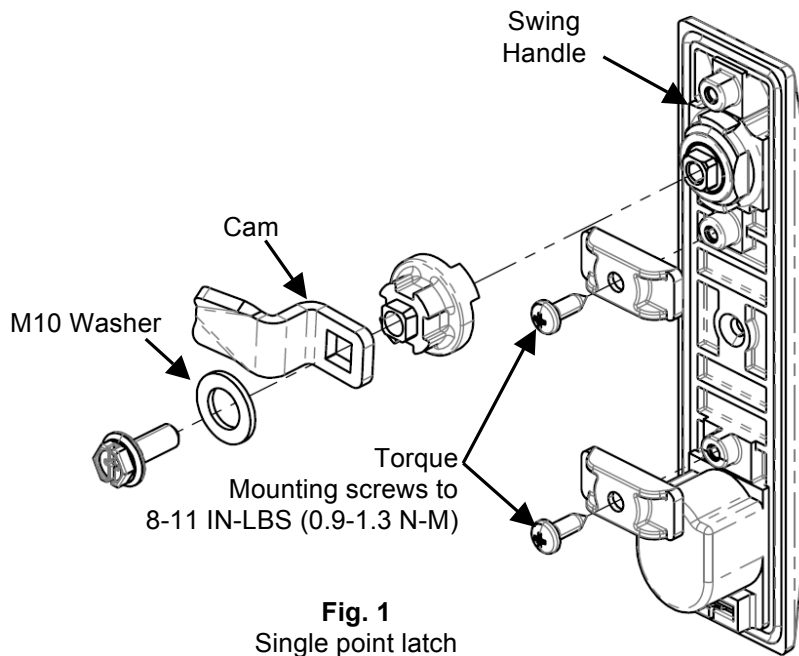
M6X12mm Pan Head screw, 2 ea.

### Tools Required:

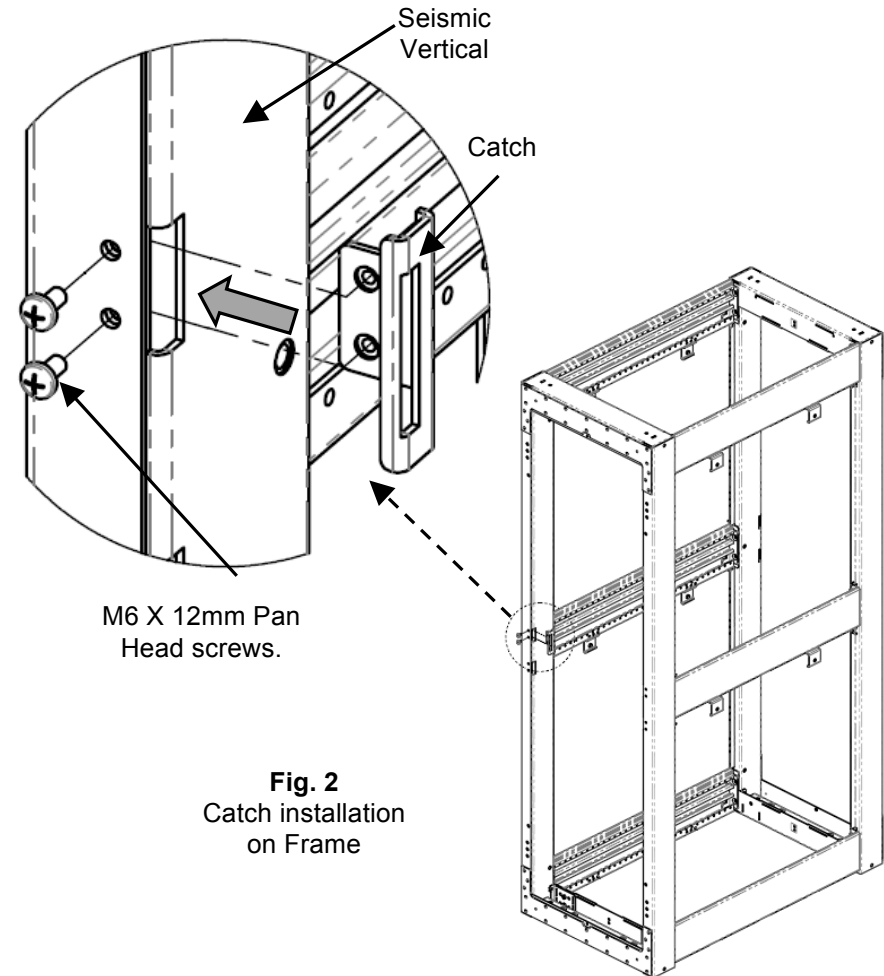
#3 Phillips screw driver.

### Assembly Sequence

Install the single point latch (Fig.1) onto the front door.



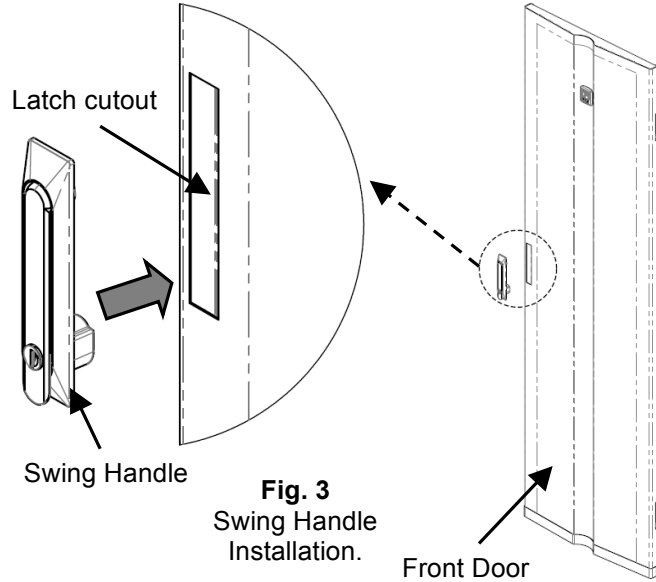
1. Install the catch in the upper cut-out in the frame opposite the hinges, fastening with M6 X 12mm screw (Fig. 2). Tighten to approximately 33 in-lbs. [3.7 N-m].



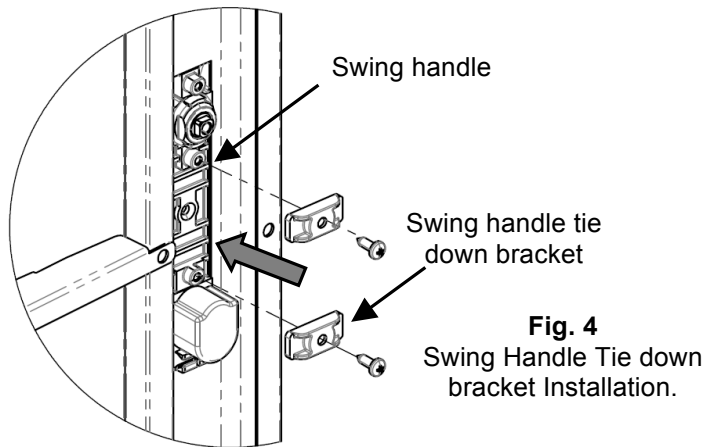
# Installation Instructions

## Z4-SERIES SEISMICFRAME FRONT DOOR SINGLE-POINT LATCH

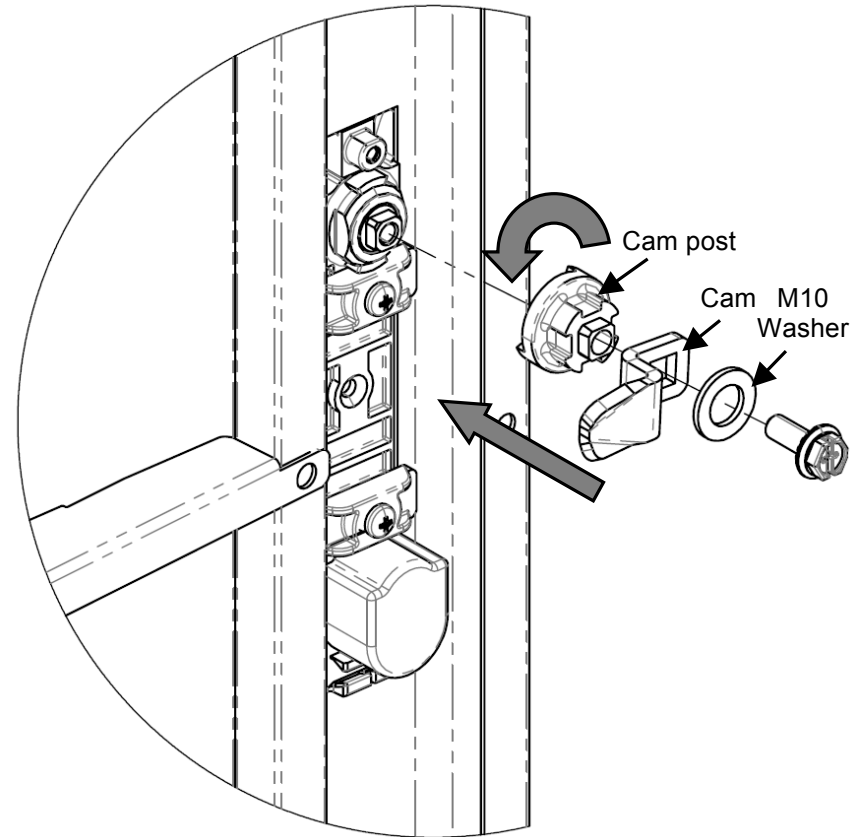
2. Place the swing handle on the outer face of the front door latch cut-out with key hole at bottom.(Fig. 3)



3. Secure the swing handle to the swing handle tie-down brackets with 2 screws in the top and bottom holes (Fig. 4).



4. Place the M10 washer over the Cam, push the Cam onto the cam post, tighten screw, and check swing handle operation direction (Fig. 5).



# Installation Instructions

## Z4-SERIES SEISMICFRAME FRONT DOOR SINGLE-POINT LATCH

### Combination Lock:

To open the door when your cabinet is first received:

1. Dial in the factory-set combination "000".
2. Turn the wing knob 180 degrees counterclockwise until the arrow points up (unlocked sign). Lift the handle and turn.
3. To relock, return the handle to the closed position, turn the wing knob 18 degrees clockwise to lock, and then scramble the combination.

To change the combination, the existing code must be known. The factory-set combination is "000".

1. Be sure that the key lock is in the locked position (arrow on the wing knob points down).
2. Dial in the existing combination.  
**NOTE:** If the combination is unknown, you can use the key to unlock the door and gain access to the cabinet, but the combination cannot be reset.
3. Turn the wing knob 180 degrees + 15 degrees counterclockwise.
4. Set the new combination numbers.
5. Turn the wing knob 15 degrees clockwise. The new combination is now set.
6. Turn the wing knob 180 degrees clockwise to lock, and then scramble the combination numbers.

