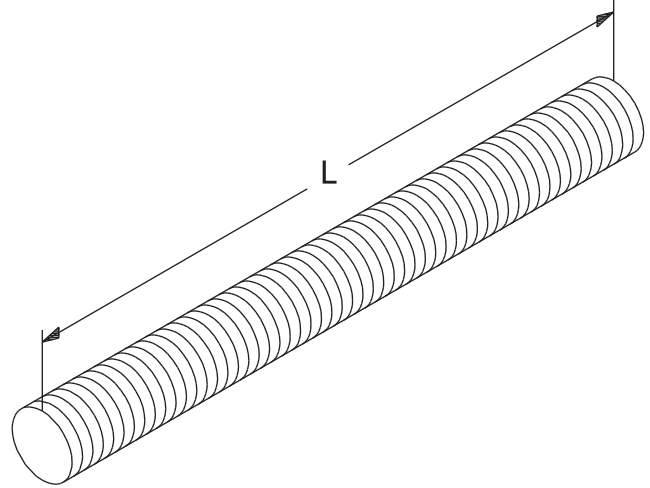


Product Cut Sheet

STUD BOLTS

Used with anchors to mount racks to concrete floors.
Zinc plated.



Part Number	Description	Length	Shipping Weight
20068-304	3/8-16	3-1/2"	1 lb

800-834-4969 in U.S. & Canada • www.chatsworth.com

US & Canada

+1-800-834-4969
Toronto, Ontario, Canada
+905-850-7770
chatsworth.com

Latin America

+52-55-5203-7525
Toll Free within Mexico
01-800-01-7592
chatsworth.com.co

Europe

+44-1628-524-834
chatsworthproducts.co.uk

Middle East & Africa

Dubai, UAE
+971-4-2602125
chatsworthproducts.co.uk

Asia Pacific

+86 21 6880-0266
chatsworth.com.cn



CHATSWORTH
PRODUCTS

techsupport@chatsworth.com