

ACCESSORIES



25512-XXX

**Cable Lashing Bracket**

The Lashing Bracket secures multiple cable bundles along the side of the cabinet.

- Three vertical columns and two horizontal rows of attachment points provide ample use of space for maximum cable support
- An array of slots compatible with zip-ties or Saf-T-Grip Cable Management Straps
- May be installed in front of or behind the equipment mounting rails or on either side of the cabinet frame
- Includes: Bracket and installation hardware (Order Saf-T-Grips or cable ties separately)
- Material: Steel
- Finish: Black or Glacier White
- Match to cabinet height



25513-XXX

**Finger Cable Manager**

The Finger Cable Manager attaches alongside the equipment mounting rails to organize patch cords at each rack-mount space (U).

- Plastic T-shaped fingers with openings align with each rack-mount space (U) on the equipment mounting rails
- May be installed on either side of the cabinet frame
- Includes: Bracket and installation hardware
- Material: Steel bracket, plastic fingers
- Finish: Black or Glacier White

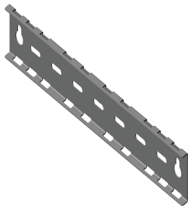


25514-XXX

**Ring Cable Manager**

The Ring Cable Manager organizes loose patch cords along the sides of the cabinet.

- Plastic C-shaped rings have openings at front that support the easy addition and removal of patch and jumper cords
- May be installed on either side of the cabinet frame
- Includes: Bracket, rings and installation hardware
- Material: Steel bracket, plastic rings
- Finish: Black or Glacier White (Rings are black)
- Match to cabinet height



25521-XXX

**Rear Bracket Cable Manager**

The Rear Bracket Cable Manager is used to secure service loops at the back of the cabinet.

- Included with the 6U Cabinet to provide structural load support
- Array of slots allow cables to be organized using cable ties or Saf-T-Grip straps as they enter the cabinet through the provided electrical knockouts
- May be installed at the top, the bottom or both places on the rear cabinet panel
- Includes: One Bracket (Order Saf-T-Grips or cable ties separately)
- Material: Steel
- Finish: Black or Glacier White
- Match to cabinet height



25515-XXX

**Fan Kit**

The Fan Kit provides additional airflow.

- Kit attaches over the vents on the top or bottom of the cabinet, drawing air in and pressuring the cabinet, which forces warm air out of the cabinet
- A filter, which provides protection from dust and debris, can be replaced without having to access the cabinet body.
- 115 VAC Fan with 5'L (1.5 m) detachable power cord and NEMA 5-15 plug
- 230 VAC Fan with 5'L (1.5 m) detachable power cord and IEC C14 plug
- Material: Metal, plastic
- Finish: Black

Standard Wall-Mount Cabinet Accessories		
Part Number	Description H x W x D ft (m) x in (mm)	Shipping Weight lb (kg)
25512-X06	Cable Lashing Bracket, 6U, 10.1 x 3.9 x 0.1 (257 x 100 x 2)	2 (0.9)
25512-X09	Cable Lashing Bracket, 9U, 15.4 x 3.9 x 0.1 (390 x 100 x 2)	3 (1.4)
25512-X12	Cable Lashing Bracket, 12U, 20.6 x 3.9 x 0.1 (520 x 100 x 2)	3 (1.4)
25513-X06	Finger Cable Manager, 6U, 10.5 x 0.6 x 6.1 (267 x 15 x 155)	2 (0.9)
25513-X09	Finger Cable Manager, 9U, 15.8 x 0.6 x 6.1 (400 x 15 x 155)	2 (0.9)
25513-X12	Finger Cable Manager, 12U, 21.0 x 0.6 x 6.1 (533 x 15 x 155)	3 (1.4)
25514-X06	Ring Cable Manager, 6U, 10.5 x 1.6 x 4.1 (267 x 40 x 105)	2 (0.9)
25514-X09	Ring Cable Manager, 9U, 15.8 x 1.6 x 4.1 (400 x 40 x 105)	2 (0.9)
25514-X12	Ring Cable Manager, 12U, 21.0 x 1.6 x 4.1 (533 x 40 x 105)	2 (0.9)
25521-X01	Rear Bracket Cable Manager	3 (1.4)
25515-001	Fan Kit, 120V, 5-15 Plug, 100 CFM	5 (2.3)
25515-002	Fan Kit, 230V, C-14 Plug, 100 CFM	5 (2.3)

Note: X=finish; 7=Black, E=Glacier White.

Additional Accessories		
Part Number	Description H x W x D ft (m) x in (mm)	Shipping Weight lb (kg)
11752-X19	Rack Cabling Manager, 1U, 1.6" x 1.3" (41 mm x 33 mm) Rings	1 (0.5)
11753-X19	Rack Cabling Manager, 2U, 3" x 1.6" (80 mm x 41 mm) Rings	2 (0.9)
12312-X01	Equipment Support Bracket, Pair	2 (0.9)
40167-001	Two Hole Mounting Ground Terminal Block 3/4"H x 1-1/2"W, 5/8" Spacing, #14 - 2/0, Each	1 (0.5)
13830-700	Electronic Lock Kit, System 1000, Single-Point Latch	3 (1.4)

Note: X=finish; 7=Black, E=Glacier White.

Installation Products		
Part Number	Description	Shipping Weight lb (kg)
76543-001	Clik-Nut Hardware Kit, Cage Nuts, Screws, M6, 25 Pack, Zinc	1 (0.5)
76544-001	Clik-Nut Hardware Kit, Cage Nuts, Screws, #12-24, 25 Pack, Zinc	1 (0.5)
76545-001	Clik-Nut Hardware Kit, Cage Nuts, Screws, #10-32, 25 Pack, Zinc	1 (0.5)

Note: Additional quantities available.



Scan or click here to visit our CPI Online Catalog.

For product CSI Specs visit the Support & Downloads page on [www.chatsworth.com](http://www.chatsworth.com).



# Standard Wall-Mount Cabinet

**Storage and security solution for network and communications equipment at smaller worksites, complex spaces, remote facilities and public environments**



## ADVANTAGES

- Flat Packed**  
Ships in compact carton
- Quick Assembly**  
Slot-and-hook system enables fast assembly
- Easy Installation**  
Pre-punched keyholes provide simple installation
- Structurally Advanced**  
Metal enclosure designed to provide secure storage for telecommunications equipment in remote locations

## KEY FEATURES

- Engineered solution designed for smaller equipment rooms, closets and remote locations
- Ships partially assembled in a compact flat pack and is easy to maneuver around jobsites
- Simplified assembly process by using a simple slot-and-hook design
- Cabinet chassis is vented on top and bottom
- Includes one pair of adjustable depth 19" EIA square-punched equipment mounting rails
- Offers a number of different door designs and colors
- Accessory filtered fan kits provide additional airflow (120V and 230V)
- Electronic locks are available
- Bonded construction facilitates grounding

## SPECIFICATIONS

Cabinet Includes:	Cabinet with hinged door Equipment mounting rails, one pair Equipment mounting hardware (25) M6 cage nuts and screws Assembly and installation hardware (includes M8 lag bolts)
Available Sizes:	6U, 9U or 12U Heights 19.7" (500 mm) or 28.6" (600 mm) overall depths
Door Options:	Perforated, Solid or Tempered Glass
Lock Options:	Single-Point Latch with keyed lock, reversible opening option Optional upgrade kit - Electronic Locking System 1000
Equipment Space:	19" EIA usable; 13.75" (349 mm) or 17.7" (449 mm) depths 6U, 14.8"H (375 mm): 60 lb (27.2 kg)
Load Capacity:	9U, 20.0"H (508 mm): 90 lb (40.8 kg) 12U, 25.2"H (640 mm): 130 lb (58.9 kg)
Construction:	Slot-and-hook/bolted frame Mounting rails bolt to frame
Material:	Steel frame, rails and panels; plastic seals and fingers Tempered glass
Certifications / Compliance:	EIA-310-E compliant equipment mounting rails
Finish:	Epoxy-polyester hybrid power coat paint

Availability: US, Canada, Latin America, Europe, Middle East & Africa

### US & Canada

+1-800-834-4969  
Toronto, Ontario, Canada  
+905-850-7770  
chatsworth.com  
techsupport@chatsworth.com

### Latin America

+52-55-5203-7525  
Toll Free within Mexico  
01-800-01-7592  
chatsworth.com.co

### Europe

+44-1628-524-834  
chatsworthproducts.co.uk

### Middle East & Africa

Dubai, UAE  
+971-4-2602125  
chatsworth.ae

### Asia Pacific

+86 21 6880-0266  
chatsworth.com.cn



CHATSWORTH  
PRODUCTS

**SPECIFICATIONS**

Description:	Wall-mounted equipment enclosure with lockable front door For indoor use only, in environmentally controlled areas, not harsh environments
Support:	19"W (482.6 mm) EIA rack-mount equipment and shelves
Ventilation:	Top/bottom are punched with a 4.75" (120.7mm) vent that accepts an optional fan
	Optional perforated door Optional tempered glass door with side vents
Equipment Support:	One pair of adjustable depth vertical mounting rails
	Slotted frame allows adjustable rail attachment
	1-3/4"H (44.45 mm) U spacing
	19"W, EIA-310-E Universal 5/8"-5/8"-1/2" (15.9 mm – 15.9 mm – 12.7 mm) vertical hole spacing
	Square-punched mounting holes accept Clik-Nut™ Hardware Kit and standard cage nuts
	Includes 25 each M6 cage nuts and screws
Rear Panel features additional built-in rack-mount space	6U has 4U Spaces
	9U has 7U Spaces
	12U has 10U Spaces
Certifications Compliance :	EIA-310-E compliant equipment rails
Grounding/Bonding:	Mounting rails and door are electrically bonded to the cabinet frame
	Prepared location for ground lug at the rear, bottom of the cabinet frame (two M6 studs, 5/8" spacing)
	Optional ground lug available separately (40167-001)
Cable Entry:	Adjustable gland plate/cover for cable opening at the rear of the top panel
	Conduit knockouts on the top/bottom corners

Conduit Knockout Trade Size	Top Spaces	Bottom Spaces
2-1/2"(63mm) or 2"(76mm)	2	2
1-1/2" or 3/4"	2	2
2-1/4" (57mm) x 7-1/2"(191 mm) w/ gland plate cover	1	0

**USE WITH**

- Lashing Bracket
- Finger Cable Manager
- Ring Cable Manager
- Rear Bracket Cable Manager
- Filtered Fan Kit
- Equipment Support Brackets
- Two Mounting Hole Ground Terminal Block
- Clik-Nut Hardware Kit

**RELATED PRODUCTS**

- Electronic Lock Kit, System 1000
- Horizontal Rack-Mount Power Strip/PDU
- RIM-750
- Single-Sided Shelf, 15"D (381 mm)
- Rack Cabling Manager

**Overview**

The Standard Wall-Mount Cabinet is a structurally advanced metal enclosure designed to provide secure storage for telecommunications equipment in remote locations. This product offers a variety of options, frame sizes and upgrades, which will increase security, optimize equipment payload and improve airflow.

The cabinet features a non-swing, fixed chassis with a hinged door. Cabinet door options include solid metal, tempered glass and perforated metal. All doors come equipped with a standard locking key-latch with the option to upgrade to the Electronic Lock Kit, System 1000.

**Structural Integrity**

The Standard Wall-Mount Cabinet combines exceptional strength and structural integrity, while offering assembly that is safe, simple and efficient. The cabinet ships in a flat-pack and arrives in six partially assembled pieces (top, bottom, sides and door). During installation, the cabinet's back panel, which includes keyhole slots for wall mounting, is attached to the wall first. The remaining panels are then attached to the mounted back panel using a self-aligning slot-and-hook system that provides panel support and squaring. Panels are secured with screws. This installation process should take less than 15 minutes but may vary depending on the selected product options and upgrades.

The cabinet supports the temperature requirements of equipment by optimizing airflow through a basic, punched ventilation system. Cabinet airflow may also be improved through a combination of product options including a fan/filter kit (120 V and 230 V) for pressurized airflow or a perforated metal door.

**Ease of Installation**

The Standard Wall-Mount Cabinet features a variety of pre-punched conduit knockouts on the top and bottom, allowing for the secure routing of power and communication cables into the unit. The cabinet's top panel features a center opening and gland plate, allowing for loose cables or pre-terminated patch panels to be installed without disconnection. The cabinet's mounting rails feature cable tie slots for basic cable management.

The cabinet includes a single pair of 19" wide square-punched mounting rails which are adjustable in depth, allowing for the attachment of various equipment modules or accessories. The cabinet's rear panel provides an additional mounting space for shallow depth equipment including rack-mounted PDUs, horizontal cable managers, or busbars. The Standard Wall-Mount Cabinet features a 24" (600 mm) wide frame, available in two colors, two depths and three heights. Equipment loads vary based on height.

ORDERING INFORMATION

Standard Wall-Mount Cabinet, 6U								
Part Number	Door Style	Usable Dimensions			Overall Dimensions			Shipping Weight lb (kg)
		Height	Width	Depth in (mm)	Height	Width	Depth in (mm)	
25500-X06	Solid	6U	19"EIA	13.75 (349)	14.8 (375)	23.6 (600)	19.7 (500)	48 (21.8)
25501-X06	Tempered Glass	6U	19"EIA	13.75 (349)	14.8 (375)	23.6 (600)	19.7 (500)	48 (21.8)
25502-X06	Perforated	6U	19"EIA	13.75 (349)	14.8 (375)	23.6 (600)	19.7 (500)	46 (20.9)
25503-X06	Solid	6U	19"EIA	17.7 (449)	14.8 (375)	23.6 (600)	23.6 (600)	53 (24.0)
25504-X06	Tempered Glass	6U	19"EIA	17.7 (449)	14.8 (375)	23.6 (600)	23.6 (600)	53 (24.0)
25505-X06	Perforated	6U	19"EIA	17.7 (449)	14.8 (375)	23.6 (600)	23.6 (600)	51 (23.1)

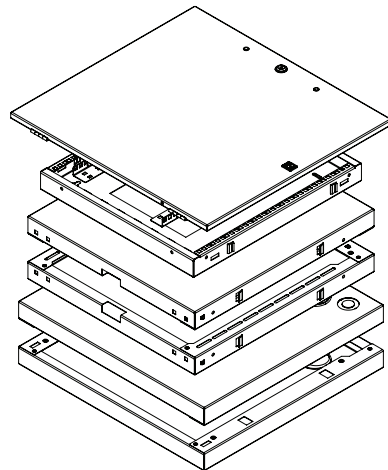
X=finish; 7=Black, E=Glacier White.

Standard Wall-Mount Cabinet, 9U								
Part Number	Door Style	Usable Dimensions			Overall Dimensions			Shipping Weight lb (kg)
		Height	Width	Depth in (mm)	Height	Width	Depth in (mm)	
25500-X09	Solid	9U	19"EIA	13.75 (349)	20.0 (508)	23.6 (600)	19.7 (500)	54 (24.5)
25501-X09	Tempered Glass	9U	19"EIA	13.75 (349)	20.0 (508)	23.6 (600)	19.7 (500)	54 (24.5)
25502-X09	Perforated	9U	19"EIA	13.75 (349)	20.0 (508)	23.6 (600)	19.7 (500)	52 (23.6)
25503-X09	Solid	9U	19"EIA	17.7 (449)	20.0 (508)	23.6 (600)	23.6 (600)	59 (26.8)
25504-X09	Tempered Glass	9U	19"EIA	17.7 (449)	20.0 (508)	23.6 (600)	23.6 (600)	60 (27.2)
25505-X09	Perforated	9U	19"EIA	17.7 (449)	20.0 (508)	23.6 (600)	23.6 (600)	57 (25.9)

X=finish; 7=Black, E=Glacier White.

Standard Wall-Mount Cabinet, 12U								
Part Number	Door Style	Usable Dimensions			Overall Dimensions			Shipping Weight lb (kg)
		Height	Width	Depth in (mm)	Height	Width	Depth in (mm)	
25500-X12	Solid	12U	19"EIA	13.75 (349)	25.2 (640)	23.6 (600)	19.7 (500)	61 (27.7)
25501-X12	Tempered Glass	12U	19"EIA	13.75 (349)	25.2 (640)	23.6 (600)	19.7 (500)	62 (28.1)
25502-X12	Perforated	12U	19"EIA	13.75 (349)	25.2 (640)	23.6 (600)	19.7 (500)	58 (26.3)
25503-X12	Solid	12U	19"EIA	17.7 (449)	25.2 (640)	23.6 (600)	23.6 (600)	67 (30.4)
25504-X12	Tempered Glass	12U	19"EIA	17.7 (449)	25.2 (640)	23.6 (600)	23.6 (600)	68 (30.8)
25505-X12	Perforated	12U	19"EIA	17.7 (449)	25.2 (640)	23.6 (600)	23.6 (600)	64 (29.0)

X=finish; 7=Black, E=Glacier White.



**Ships Flat-Packed**  
Ships partially assembled in a compact flat pack

**Structural Integrity**  
Cabinet features a fixed chassis with hinged swing door for access to equipment

**Carton Size**  
11.8"H x 24.2"W x 25.6"D  
(300 mm x 615 mm x 650 mm)

**DIMENSIONAL DRAWINGS**

Cable Opening

7.5"W x 2.25"D (191 mm x 57 mm)

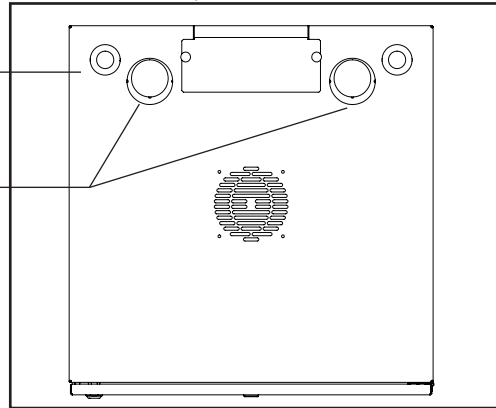
Combination 1-1/2 or 3/4" Conduit Knockout

- 1-1/2 knockout is 1.95" (50 mm) diameter
- 3/4" knockout is 1.12" (28 mm) diameter

Combination 2-1/2 or 2" Conduit Knockout

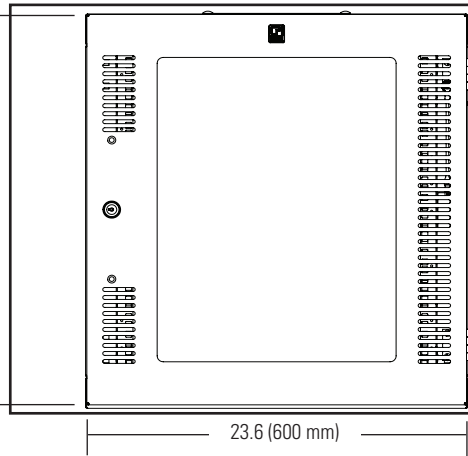
- 2-1/2 knockout is 2.96" (75 mm) diameter
- 2" knockout is 2.38" (60 mm) diameter

Top View

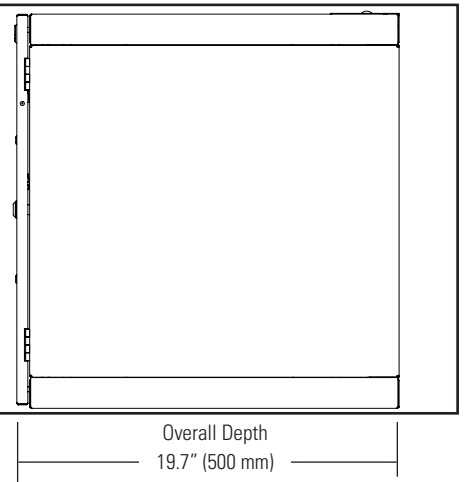


Front View

Overall Height:  
6U, 14.8" (375 mm)  
9U, 20.0" (508 mm)  
12U, 25.2" (640 mm)

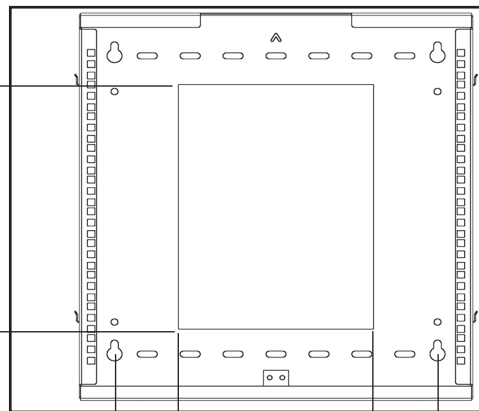


Side View



Rear Panel

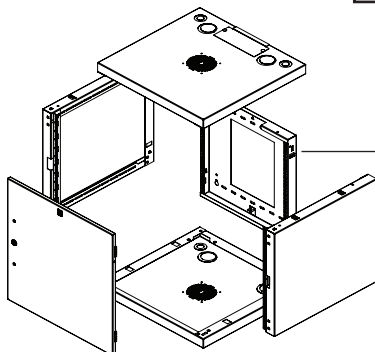
Height:  
6U, 3.0" (76 mm)  
9U, 8.2" (210 mm)  
12U, 13.5" (343 mm)



Width (6U, 9U, 12U)

9.6" (245 mm)

Slots 16" (406 mm)



**Easy Installation** – Attaches to the wall with pre-punched keyholes. Unique slot-and-hook installation process allows quick assembly in less than 15 minutes. Use Cliik-Nut Hardware Kit for easier, faster and safer installation.

**Integrated Thermal Management** – Cabinet body features a punched ventilation system and accepts an optional filtered fan accessory, which maximizes airflow capabilities. A perforated front door is also available to enhance airflow.