

Frequently Asked Questions

Standard Wall-Mount Cabinet



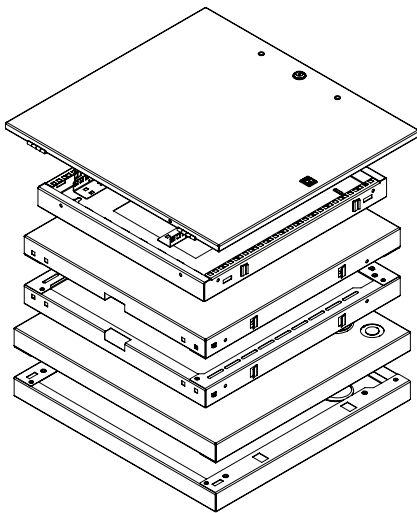
25501-E12 shown

Availability: US, Canada, Latin America, Europe, Middle East & Africa

Door Style, Depth	6U Cabinet	9U Cabinet	12U Cabinet
Solid Door, 19.7"D (500 mm)	25500-X06	25500-X09	25500-X12
Tempered Glass, 19.7"D (500 mm)	25501-X06	25501-X09	25501-X12
Perforated Door, 19.7"D (500 mm)	25502-X06	25502-X09	25502-X12
Solid Door, 23.6"D (600 mm)	25503-X06	25503-X09	25503-X12
Tempered Glass, 23.6"D (600 mm)	25504-X06	25504-X09	25504-X12
Perforated Door, 23.6"D (600 mm)	25505-X06	25505-X09	25505-X12

Q. Does the cabinet ship ready for installation?

A. The cabinet ships unassembled and is designed with a unique slot-and-hook construction, allowing a single person to assemble lighter components onto the back panel.



Q. Is the cabinet pre-punched to facilitate wall attachment?

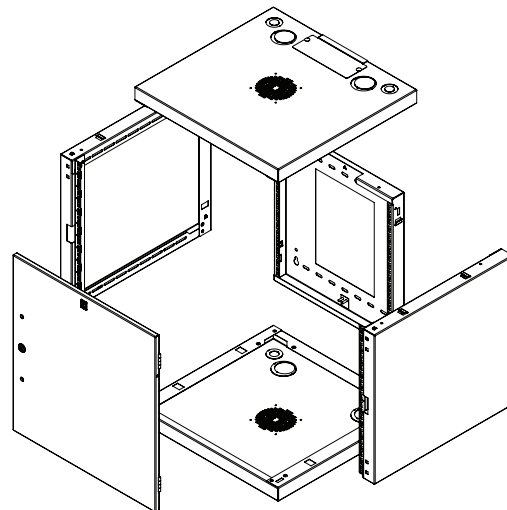
A. Yes, keyhole slots are located on 16" centers to align with wall studs. A series of pre-punched slots provide additional attachment points.



Q. How is the Standard Wall-Mount Cabinet assembled?

First, the back panel of the cabinet is mounted to the wall, then the remaining panels are attached.

The cabinet may also be assembled and then attached to the wall. The keyholes on the back panel will allow the cabinet to be hung over the included installation hardware (lag bolts).



US & Canada
+1-800-834-4969
Toronto, Ontario, Canada
+905-850-7770
chatsworth.com

Latin America
+52-55-5203-7525
Toll Free within Mexico
01-800-01-7592
chatsworth.com.co

Europe
+44-1628-524-834
chatsworthproducts.co.uk

Middle East & Africa
Dubai, UAE
+971-4-2602125
chatsworth.ae

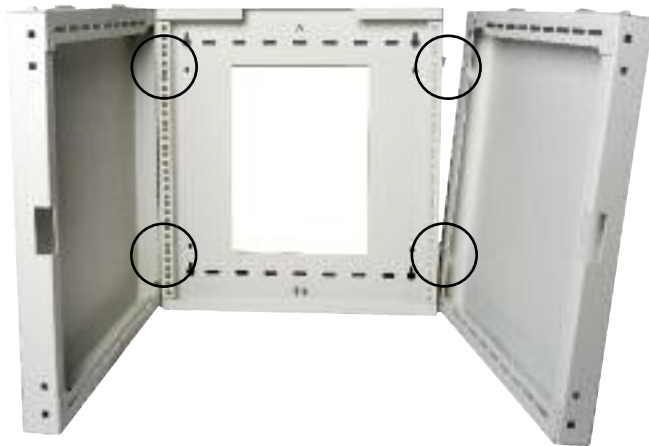
Asia Pacific
+86 21 6880-0266
chatsworth.com.cn

Frequently Asked Questions

Standard Wall-Mount Cabinet

Q. What is the slot-and-hook feature, and how does it make assembly easier?

A. The cabinet body is assembled using a slot-and-hook feature. During this process, individual panels hook onto each other and are fully supported by the back panel. After the panels are joined, screws are used to secure them in place.



Q. How much equipment will each cabinet hold?

A. The 6U cabinet supports 60 lb (27 kg). The 9U cabinet supports 90 lb (41 kg). The 12U cabinet supports 130 lb (59 kg). Each cabinet includes one pair of adjustable depth mounting rails. Additionally, the back panel has a built-in rack-mount rail that can be used for auxiliary panel mounting of 19" EIA equipment.

Q. Can the door be installed on either side of the front panel?

A. Yes, the front panel of the cabinet body is pre-punched to allow the door to be attached on the right or left side. To reverse door swing, remove the hardware and the door, and install the door on the opposite side.

Q. Can the equipment mounting rails be adjusted?

A. On all Standard Wall-Mount Cabinet models, the equipment mounting rail bolts to the cabinet body. To make minor adjustments to the rail's position, simply loosen the hardware and reposition. To make larger adjustments, remove the hardware and the rails, reposition so the rails are in the desired position and level with the cabinet body, and reattach using the hardware.

Q. Are rack-mount spaces (U) on the equipment mounting rails marked?

A. Rack-mount spaces (U) locations are identified by a round hole punched to indicate the location of each space on the rail to simplify mounting equipment.

Q. Are there cable management options available for this cabinet?

A. Yes. There is a Lashing Bracket, which is a vertical cable manager that can be used to secure cable bundles after they enter the cabinet, a Finger Cable Manager, which includes T-shaped cable guides (fingers) to organize patch cords along the side of the mounting rails and a Ring Cable Manager, which includes C-shaped cable rings to organize patch cords along the side of the cabinet. These products are sold as accessories.



Q. Can a power strip be added to the cabinet?

A. Yes. Use a 19" EIA rack-mount power strip in the Standard Wall-Mount Cabinet. The power strip can attach to the mounting rail or to the back panel of the cabinet. CPI offers several power strip options. Follow this link to access the CPI Power Strip Web Page: <http://www.chatsworth.com/products/power-management/power-strips>

US & Canada

+1-800-834-4969
Toronto, Ontario, Canada
+905-850-7770
chatsworth.com

Latin America

+52-55-5203-7525
Toll Free within Mexico
01-800-01-7592
chatsworth.com.co

Europe

+44-1628-524-834
chatsworthproducts.co.uk

Middle East & Africa

Dubai, UAE
+971-4-2602125
chatsworth.ae

Asia Pacific

+86 21 6880-0266
chatsworth.com.cn



Frequently Asked Questions

Standard Wall-Mount Cabinet

Q. Are there cable openings in the cabinet?

A. Yes. The cabinet includes 4 combination 2" and 2-1/2" conduit knockouts, as well as 4 combination 3/4" and 1-1/2" knockouts (Two of each on the top and two of each on the bottom panels of the cabinet). There is also a 7.5"W x 2.25"D gland plate opening located at the rear of the top panel. The gland plate has foam tape along the edge of the plate to seal and protect loose cables. Remove the gland plate to pass pre-terminated patch panels or blocks into the cabinet.

Q. Are Standard Wall-Mount Cabinets rated for industrial applications (NEMA, IP)?

A. No. The Standard Wall-Mount Cabinet is intended for use in indoor environmentally controlled environments, not in the plenum space, out-of-doors or industrial environments.

Q. Can a fan be added after equipment is installed into the cabinet?

A. The fan should be installed prior to installing equipment into the cabinet. The fan is located on the inside of the cabinet at the bottom (or top). Once equipment is installed, access to this space will be difficult.



Q. Can I order with pre-installed accessories?

A. No, the cabinet ships flat packed, so accessories are unable to be factory installed.

Q. Can the cabinet be grounded?

A. Yes, the cabinet includes a two-stud masked location to attach to the building telecommunications grounding system. Use an accessory ground terminal block or compatible two-point lug to attach the grounding conductor.

Q. I did not find the answer to my question. Who do I contact for assistance?

A. Please contact 800-834-4969 or CPI Technical Support at (techsupport@chatsworth.com) for assistance. For immediate information, log on to www.chatsworth.com.