

Installation Instructions

Cable Lashing Bracket For Standard Wall Mount Cabinet

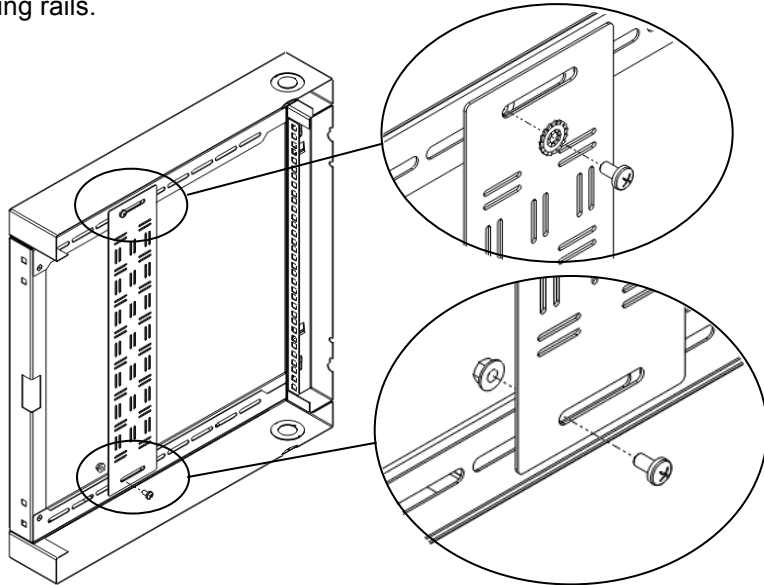
Safety Information



WARNING: Improper use of this product or failure to follow these instructions may result in equipment damage, personal injury, or death. Read and understand all instructions for proper installation and use of this product.

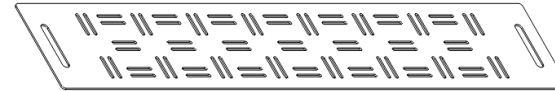
Intended Use

The Cable Lashing Bracket is designed to organize and manage cables inside CPI's Standard Wall Mount Cabinet. The array of slots allows cables to be organized using zip-ties or Velcro straps. The Cable Lashing Bracket can be installed on either side of the cabinet, either in front of or behind the equipment mounting rails.

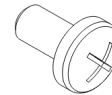


Included Parts and Hardware

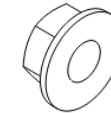
1 – Cable Lashing Bracket



2 - M6 Phillips
Head Screws



2 – M6 Serrated
Hex Nuts



1 – M6 Serrated Washer



To Install:

1. Place the Cable Lashing Bracket in the desired position along the slides in the cabinet.
2. Install an M6 screw and nut through the top and bottom mounting slots. Install the serrated washer on top or bottom as shown in order to ground the accessory to the cabinet. Torque to approximately 38 in-lb (4.3 N-m).