

Installation Instructions

Ring Cable Manager For Standard Wall Mount Cabinet

Safety Information



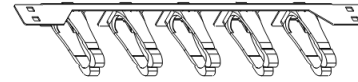
WARNING: Improper use of this product or failure to follow these instructions may result in equipment damage, personal injury, or death. Read and understand all instructions for proper installation and use of this product.

Intended Use

The Ring Cable Manager is designed to organize and manage cables inside CPI's Standard Wall Mount Cabinet. The plastic Rings provide a way to organize cables around the installed equipment. The Ring Cable Manager can be installed on either side of the cabinet, either in front of or behind the equipment mounting rails depending on the specific cable management needs within the cabinet.

Included Parts and Hardware

1 – Ring Cable Manager



2 – M6 Phillips
Head Screws



2 – M6 Serrated
Hex Nuts



1 – M6 Serrated Washer

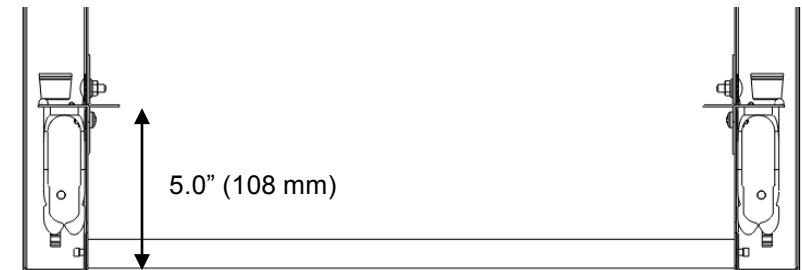
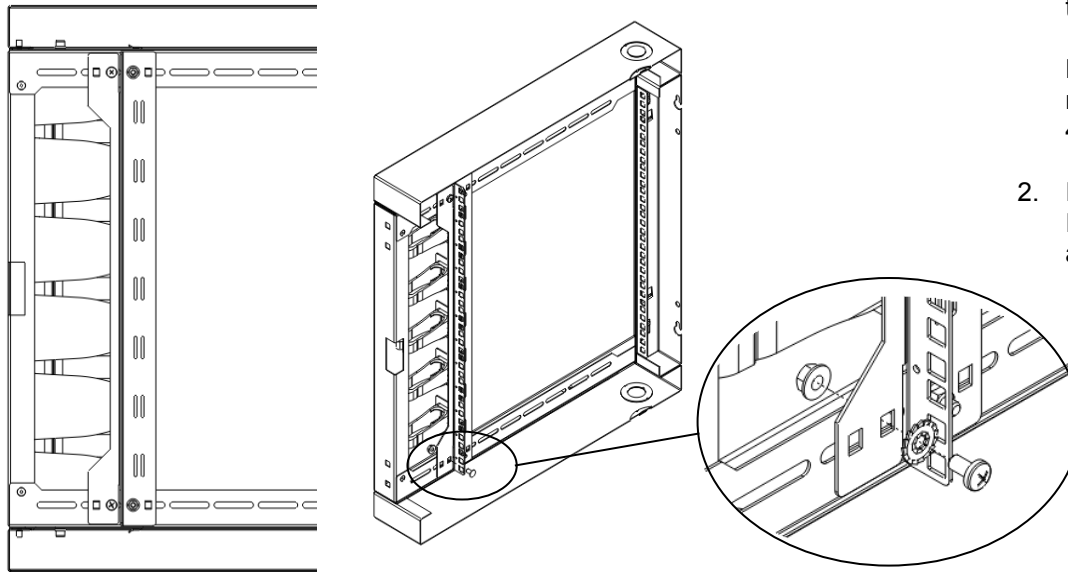


To Install:

1. Place the Ring Cable Manager in the desired position along the slides in the cabinet.

Note: Standard installation, with rings mounted in front of the equipment mounting rails, shown. This requires a rail set-back of approximately 4.25" (127 mm) from the front of the cabinet.

2. Install an M6 screw and nut through the top and bottom mounting holes. Install the serrated washer on either top or bottom as shown to ground accessory to cabinet. Torque to approximately 38 in-lb (4.3 N-m).



IIS-725514-001, 04/07/2015, Rev. 1, CPI/PEH

800-834-4969 (USA & Canada) • www.chatsworth.com • techsupport@chatsworth.com

For international phone numbers, see our website or contact CPI Tech Support.

This drawing contains proprietary and confidential information and is protected by U.S. and international law. Unauthorized reproduction, disclosure or use of the drawing or the information therein is expressly forbidden except as agreed to in writing by Chatsworth Products, Inc.