

Installation Instructions

Fan Kit For Standard Wall Mount Cabinet

Safety Information



WARNING: Improper use of this product or failure to follow these instructions may result in equipment damage, personal injury, or death. Read and understand all instructions for proper installation and use of this product.



WARNING: Disconnect electrical power before working on or installing fan assemblies.



WARNING: Never work alone when potentially hazardous conditions exist and never install damaged equipment.



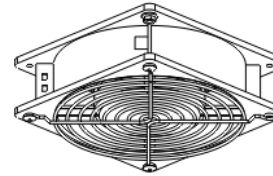
WARNING: Hazardous moving parts. Keep away from rotating fan blades.

Intended Use

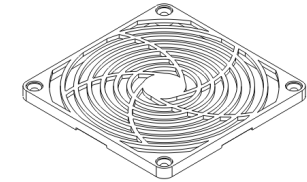
The Fan Kit is designed to provide cooling to the equipment installed in CPI's Standard Wall Mount Cabinet by drawing pre-filtered air into the cabinet. Drawing air into the cabinet slightly pressurizes the cabinet and provides additional protection from dust and debris. The fan kit can be installed on the top or bottom panel of the cabinet. Filters can easily be changed without any need to access the inside of the cabinet.

Included Parts and Hardware

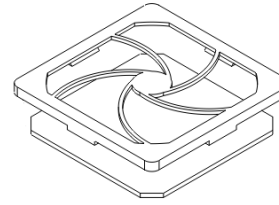
1 – Cooling Fan with Wire Grill



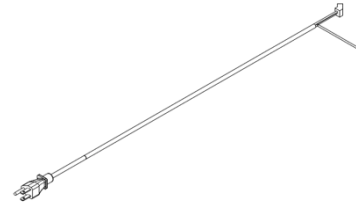
1 – Plastic Guard



1 – Filter and Plastic Retainer



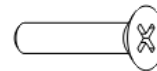
1 – Power Cord (Plug style may vary)



1 – M4 Phillips Head Screw



4 – M4 Countersunk Phillips Head Screws



4 – M4 Serrated Hex Nuts



IIS-725515-001, 04/07/2015, Rev. 1, CPI/PEH

800-834-4969 (USA & Canada) • www.chatsworth.com • techsupport@chatsworth.com

For international phone numbers, see our website or contact CPI Tech Support.

This drawing contains proprietary and confidential information and is protected by U.S. and international law. Unauthorized reproduction, disclosure or use of the drawing or the information therein is expressly forbidden except as agreed to in writing by Chatsworth Products, Inc.

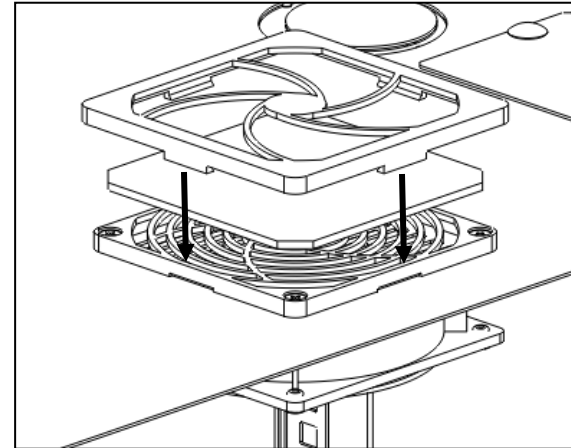
Installation Instructions

Fan Kit For Standard Wall Mount Cabinet

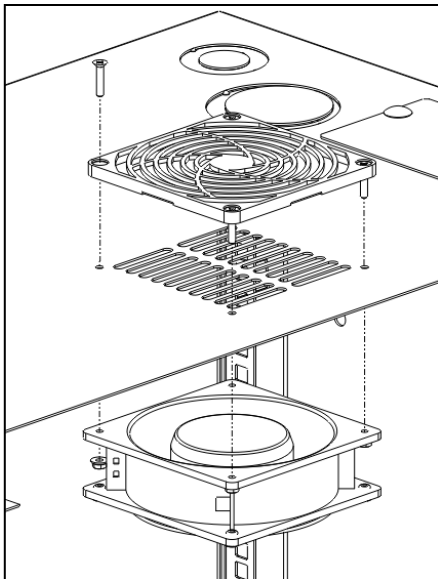
To Install:

1. Determine if the fan kit is to be installed on the top or bottom panel of the cabinet.
2. Using the included screws and nuts, attach fan and plastic guard to cabinet by sandwiching the cabinet wall between the two items as shown. Fan should be inside the cabinet with the plastic guard on the outside of the cabinet. Tighten nuts to approximately 33 in-lb (3.7 N-m).
3. Attach filter and plastic retainer onto plastic guard by snapping the clips of the retainer over the guard. Filter should be sandwiched between the guard and retainer as shown.
4. Attach the power cord to the outlet on the fan. Attach the ring on the grounding wire to the grounding hole on the fan using the M4 Phillips head screw. Tighten to approximately 33 in-lb (3.7 N-m).
5. Plug power cord into approved power supply to power fan. Fan will begin running when powered.

Step 2



Step 1



Step 3

