

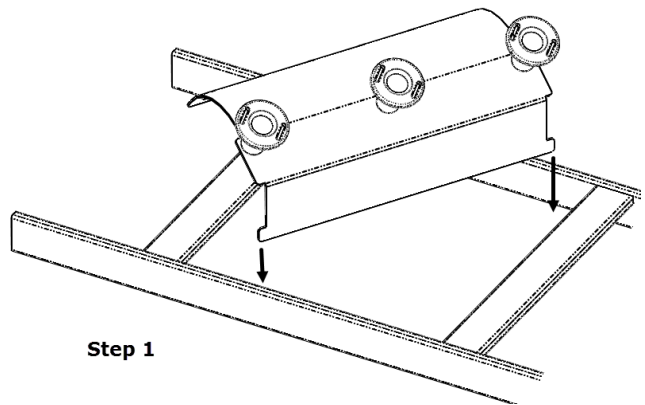
Installation Instructions

CROSS MEMBER RADIUS DROP

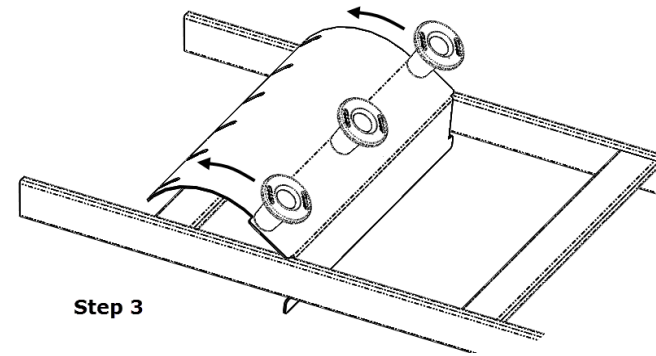
Intended Use

The Cross Member Radius Drop can be installed on corresponding widths of Universal (10250), TELCO (11252), UL Classified (11275), and Adjustable (14300) Cable Runway.

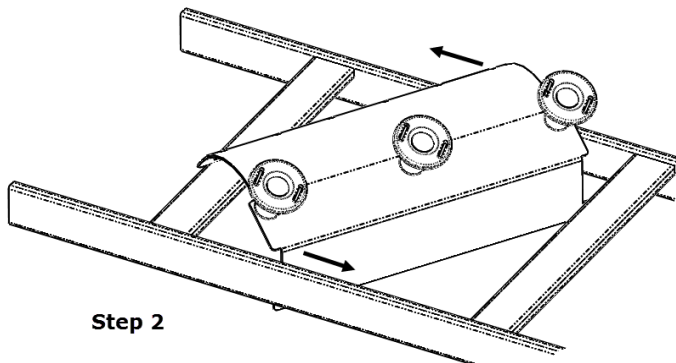
Assembly Sequence



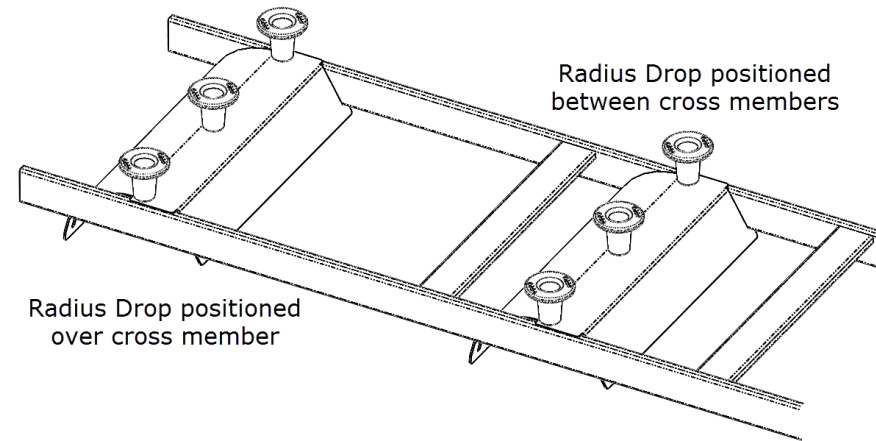
Step 1



Step 3



Step 2



IIS-714304, 09/18/15, Rev. 1, CPI/BDK
800-834-4969 (USA & Canada) • www.chatsworth.com • techsupport@chatsworth.com
For international phone numbers, see our website or contact CPI Tech Support.

This drawing contains proprietary and confidential information and is protected by U.S. and international law. Unauthorized reproduction, disclosure or use of the drawing or the information therein is expressly forbidden except as agreed to in writing by Chatsworth Products, Inc.