

# Installation Instructions

## PATHWAY DIVIDER

### Intended Use

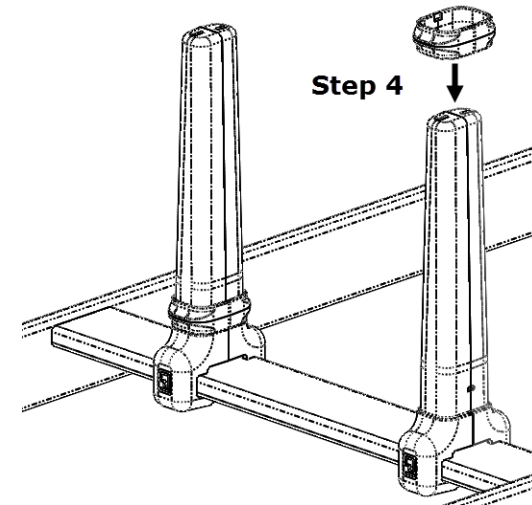
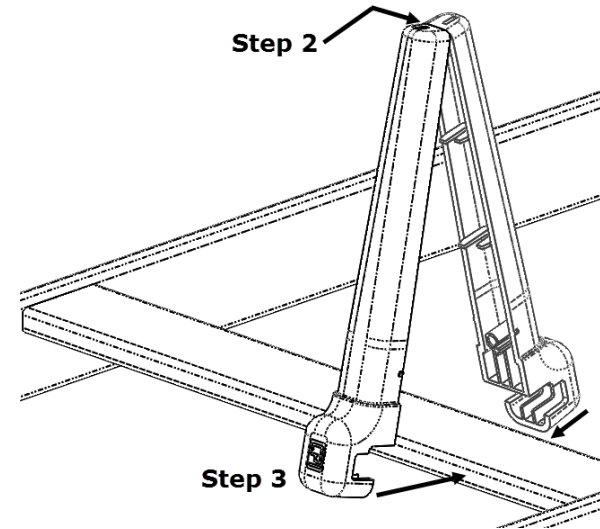
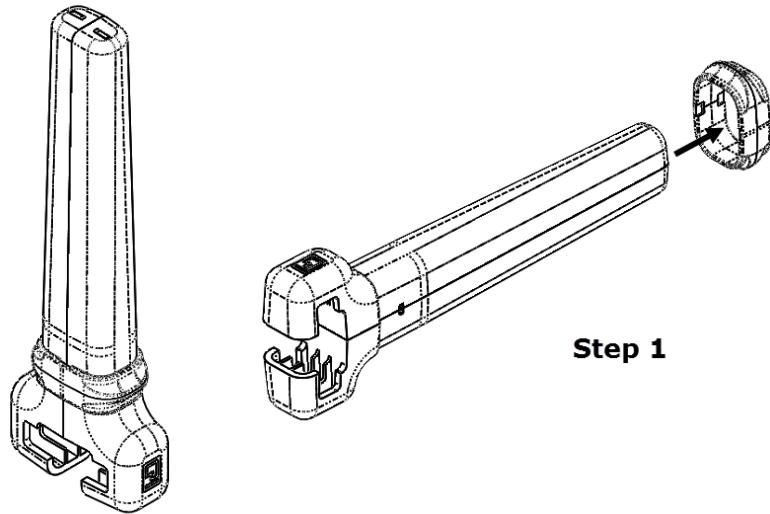
The Pathway Divider can be installed on the Cross Members of Universal (10250), TELCO (11252), UL Classified (11275), and Adjustable (14300) Cable Runway.

### Included Parts

1. Pathway Divider Assembly

### Installation

1. Remove the lock ring by pulling it towards the top end of the divider.
2. Pull the two divider halves apart at the bottom. The parts will hinge open at the top as shown in the picture at right.
3. Align the divider base openings with the runway Cross Member, then hinge the two halves together until they are completely fitted around the Cross Member.
4. Slide the lock ring all the way down over the post until it locks in place.



IIS-714308, 09/29/15, Rev. 1, CPI/BDK  
800-834-4969 (USA & Canada) • [www.chatsworth.com](http://www.chatsworth.com) • [techsupport@chatsworth.com](mailto:techsupport@chatsworth.com)  
For international phone numbers, see our website or contact CPI Tech Support.

*This drawing contains proprietary and confidential information and is protected by U.S. and international law. Unauthorized reproduction, disclosure or use of the drawing or the information therein is expressly forbidden except as agreed to in writing by Chatsworth Products, Inc.*