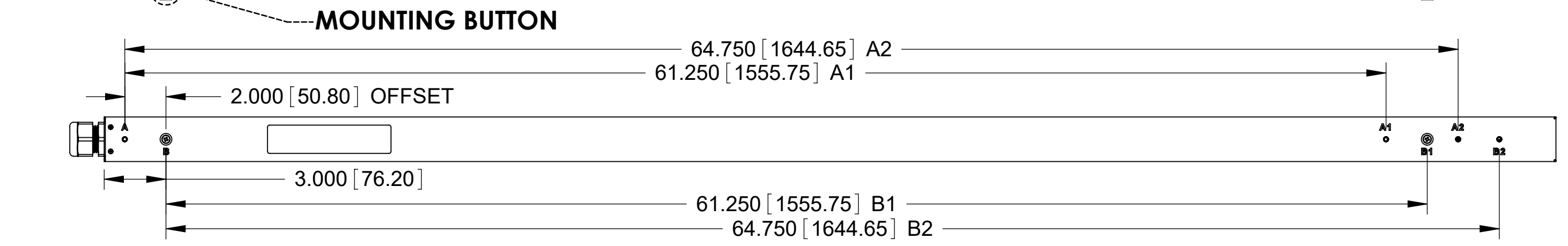
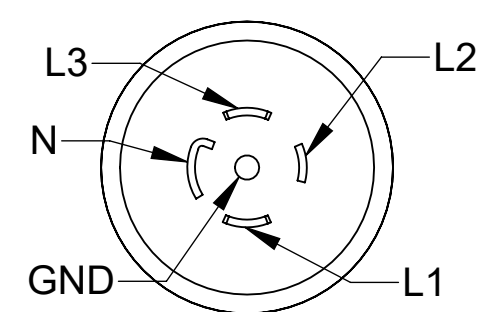


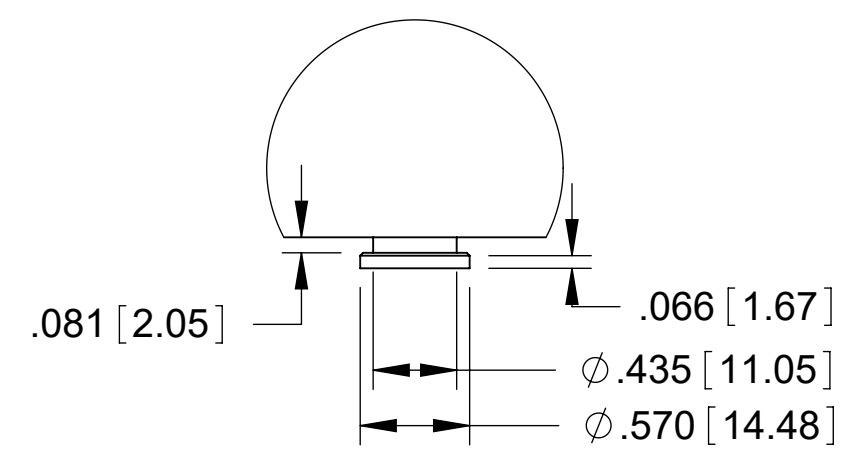
| Technical Specs: | |
|---------------------------|--|
| Input Ratings | |
| Nominal Voltage (VAC) | 120/208VAC, Three Phase, 50/60 Hz |
| Input Plug / Cord | NEMA L21-30, 10 ft (3m) |
| Current Rating | 30A derated to 24A (NA) |
| Power Rating (kW) | 8.6 |
| Output Ratings | |
| Nominal Voltage (VAC) | 120/208VAC, 50/60 Hz |
| Current Rating | 16A per Phase Unbalanced/13.8A Balanced |
| Outlet Rating | C13: 12A max, C19: 16A max, 5-20R: 16A max |
| Max Current per Breaker | 16A Max |
| Outlet Combination | |
| Load Segment | CB1,CB2,CB3: (8) C13, (2) C19, (2) 5-20R |
| PDU Total | (24) C13, (6) C19, (6) 5-20R |
| Branch Circuit Protection | (3) 2-pole 20A UL489 Breakers |
| Surge Suppression | None |



| Features: | |
|-----------------|--|
| Cord Retention | Locking Receptacles (C13&C19); Cord Retention (5-20R) |
| Mounting System | Multiple tool-less mounting button locations, A and B (see detail) |



INPUT PLUG DETAIL
NEMA L21-30P
30A / 5COND



MOUNTING BUTTON DETAIL

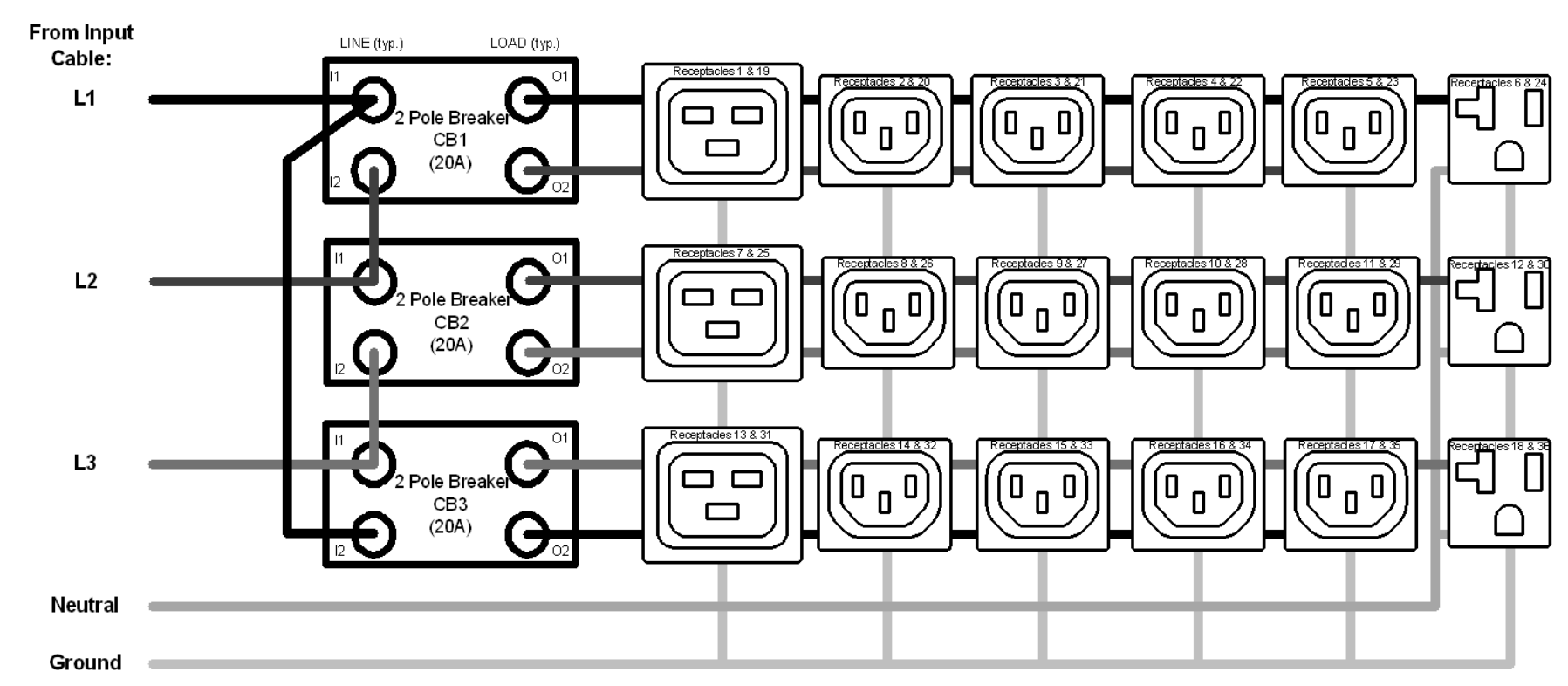
| Dimensions & Weights: | |
|-----------------------|-------------|
| Width (In[mm]) | 2.2 [55] |
| Height (In[mm]) | 70.5 [1791] |
| Depth (In[mm]) | 2.2 [55] |
| Weight (lbs[kg]) | 18 [8.2] |

| Regulatory Information: | |
|---|--|
| UL & cUL Listed, IEC 60950-1, CSA C22.2, CE, NOM, RoHS, FCC Part 15 Class A, EN 55022 | |

| Environmental Conditions: | |
|---------------------------|------------------------|
| Operating Temperature | 32 - 149F (0 - 65C) |
| Operating Rel Humidity | 5 - 95% |
| Operating Elevation | 0-10000 ft (0-3000 m) |
| Storage Temperature | -13 - 149F (-25 - 65C) |
| Storage Rel Humidity | 5 - 95% |
| Storage Elevation | 0-50000ft (0-15000 m) |

| Hardware Included: | |
|--|--|
| (2) tool less mounting buttons (1) ground kit cable | |

SIMPLIFIED WIRING SCHEMATIC



- Notes:
- 1 All Dimension are in inches [millimeters] unless otherwise specified
 - 2 Installation must conform with all related national and local codes
 - 3 All Bracket kits are sold separately. Toolless mounting buttons are included for installation in CPI cabinets.
 - 4 For more information, please contact Tech Support at techsupport@chatsworth.com

©2017 Chatsworth Products, Inc. All rights reserved.



All products quoted are subject to availability based on manufacturing capacity and shipping dates should be considered estimates only.

eConnect Vertical (0U) PDU, Basic, L21-30 Plug, Three Phase WYE, 120/208V Input, 30A, (24) C13 (6) C19 (6) 5-20R Outlets, 120/208V Output

While every effort has been made to ensure the accuracy of all information, CPI does not accept liability for any errors or omissions and reserves the right to change information and descriptions of listed services and products.

| | | |
|-------------|-----------------|----------|
| THIRD ANGLE | L1-1P0K4 | ISS |
| | SHEET 1 OF 1 | 1 |