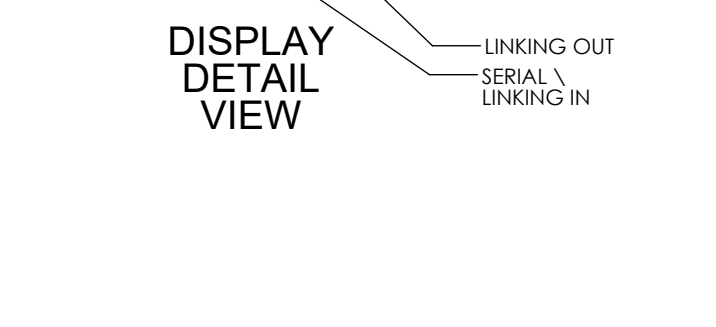
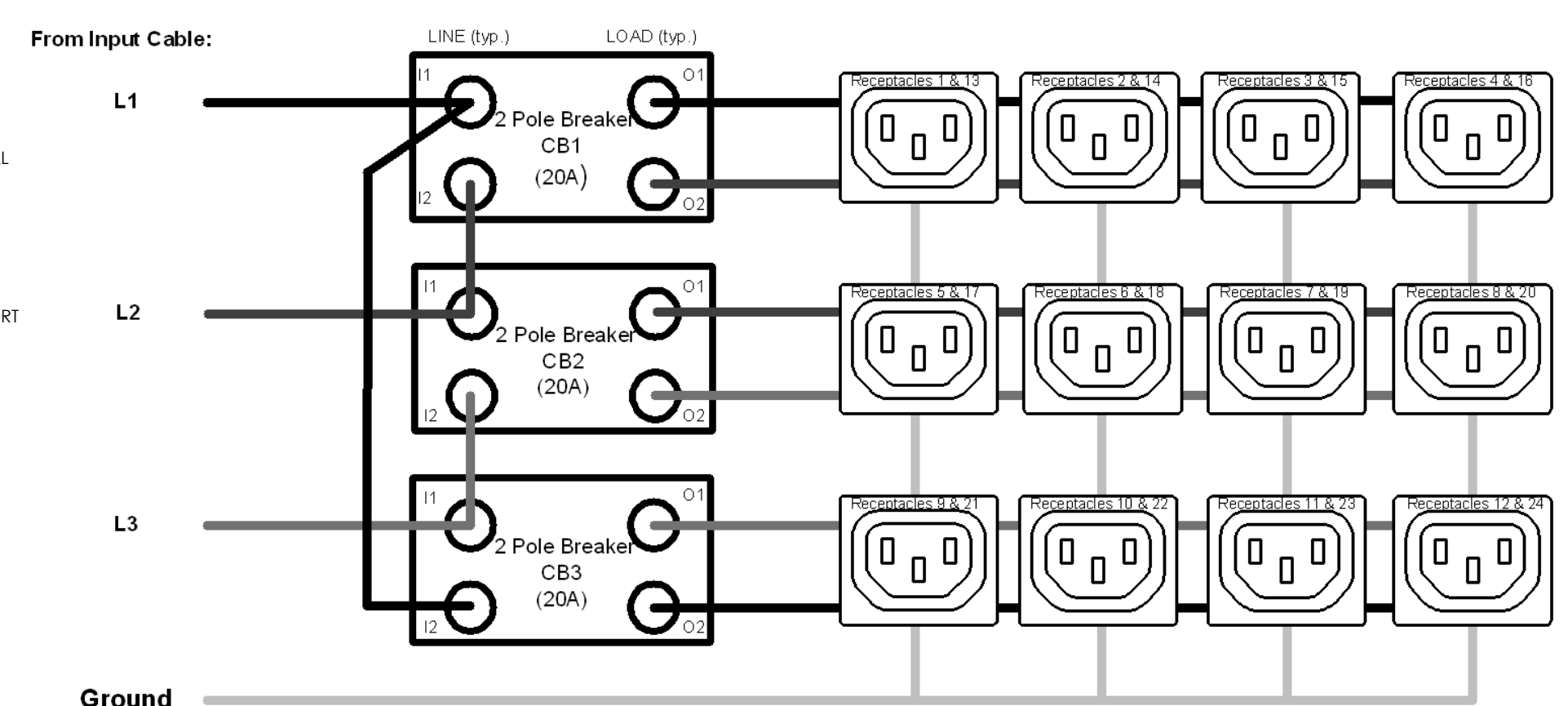


SIMPLIFIED WIRING SCHEMATIC



- Notes:**
- 1 All Dimension are in inches [millimeters] unless otherwise specified
 - 2 Installation must conform with all related national and local codes
 - 3 All Bracket kits are sold separately. Toolless mounting buttons are included for installation in CPI cabinets.
 - 4 For more information, please contact Tech Support at techsupport@chatsworth.com

| Technical Specs: | |
|---------------------------|-------------------------------|
| Input Ratings | |
| Nominal Voltage (VAC) | 208VAC, Three Phase, 50/60 Hz |
| Input Plug / Cord | CS8365C, 10 ft (3m) |
| Current Rating | 50A derated to 27.7A (NA) |
| Power Rating (kW) | 9.9 |
| Output Ratings | |
| Nominal Voltage (VAC) | 208VAC, 50/60 Hz |
| Current Rating | 27.7A per Phase |
| Outlet Rating | C13: 12A max |
| Max Current per Breaker | 16A Max |
| Outlet Combination | |
| Load Segment | CB1,CB2,CB3: (8) C-13 |
| PDU Total | (24) C13 |
| Branch Circuit Protection | (3) 2-pole 20A UL489 Breakers |
| Surge Suppression | None |

| Features: | |
|---------------------|--|
| Local Display | (1) LCD Display - Branch Monitoring, IP Setup, Alarm Notification |
| Branch Monitoring | Current, Voltage, Power, PF per Circuit |
| Monitoring Accuracy | +/- 1% True RMS |
| Ethernet Port | 10/100/1000 Mbps RJ-45 |
| Remote Monitoring | IP v4/v6, SNMP v1/v2/v3, Serial |
| Remote Control | ON/OFF/CYCLE outlets remotely |
| IP Consolidation | Link up to 32 PDUs under a single IP address |
| USB Port | Update firmware |
| Control Interface | Built-in Web Browser, HTTP, SNMP, Serial RS-232 |
| Sensor Interface | (2) Temperature and Humidity Sensors |
| Auxiliary Ports (2) | Front and Rear Electric Door Lock |
| Cord Retention | Locking Receptacles |
| Mounting System | Multiple tool-less mounting button locations, A and B (see detail) |

| Dimensions & Weights: | |
|-----------------------|-------------|
| Width (In[mm]) | 2.2 [55] |
| Height (In[mm]) | 70.5 [1791] |
| Depth (In[mm]) | 2.2 [55] |
| Weight (lbs[kg]) | 18 [8.2] |

Regulatory Information: UL & cUL Listed, IEC 60950-1, CSA C22.2, CE, NOM, RoHS, FCC Part 15 Class A, EN 55022

| Environmental Conditions: | |
|---------------------------|------------------------|
| Operating Temperature | 32 - 149F (0 - 65C) |
| Operating Rel Humidity | 5 - 95% |
| Operating Elevation | 0-10000 ft (0-3000 m) |
| Storage Temperature | -13 - 149F (-25 - 65C) |
| Storage Rel Humidity | 5 - 95% |
| Storage Elevation | 0-50000ft (0-15000 m) |

| | |
|------------------------------|--|
| Hardware Included: | (2) tool less mounting buttons (1) ground kit cable |
| Optional Accessories: | Temp/Hum Environmental Sensor P/N 35941-132 |

©2017 Chatsworth Products, Inc. All rights reserved.

All products quoted are subject to availability based on manufacturing capacity and shipping dates should be considered estimates only.

While every effort has been made to ensure the accuracy of all information, CPI does not accept liability for any errors or omissions and reserves the right to change information and descriptions of listed services and products.



eConnect Vertical (0U) PDU, Switched, CS8365C Plug, Three Phase Delta, 208V Input, 50A, (24) C13 Outlets, 208V Output, Individual Outlet Control

| | | |
|-------------|-----------------|----------|
| THIRD ANGLE | L5-1T0A1 | ISS |
| | SHEET 1 OF 1 | 1 |