

Installation Instructions

GT-Series GlobalFrame Gen 2 600mm Cable Manager

Tools Required

10mm Wrench

#2 Phillips screwdriver

Included Parts

4 each
M6 x 12mm Screw

4 each
M6 Hex nut



2 each Cable guide sections

Installation

1. Attach the top cable guide to the equipment rail with two M6 x 12mm screws and nuts, see Fig. 1
2. Attach the bottom cable guide with two M6 x 12mm screws and nuts with the top of the guide butted against the bottom of the top guide.

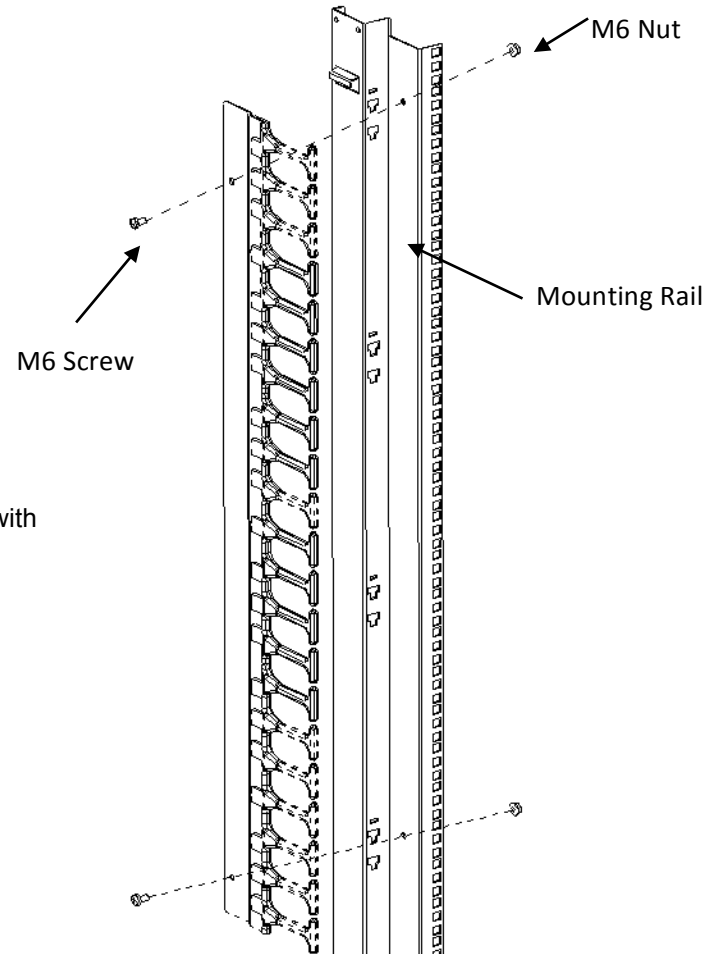


Fig.1