

Installation Instructions

GT-Series GlobalFrame Gen 2 Cable Manager

Tools Required

10mm Wrench
#2 Phillips screwdriver

Included Parts

12 each
M6 x 12mm Screw

4 each
M6 Hex nut



2 each Cable guide sections
2 each Door assemblies
4 each Door support brackets

Installation

1. Attach the top cable guide to the equipment rail with two M6 x 12mm screws and nuts, see figure 1.
2. Attach the bottom cable guide with two M6 x 12mm screws and nuts with the top of the guide butted against the bottom of the top guide.

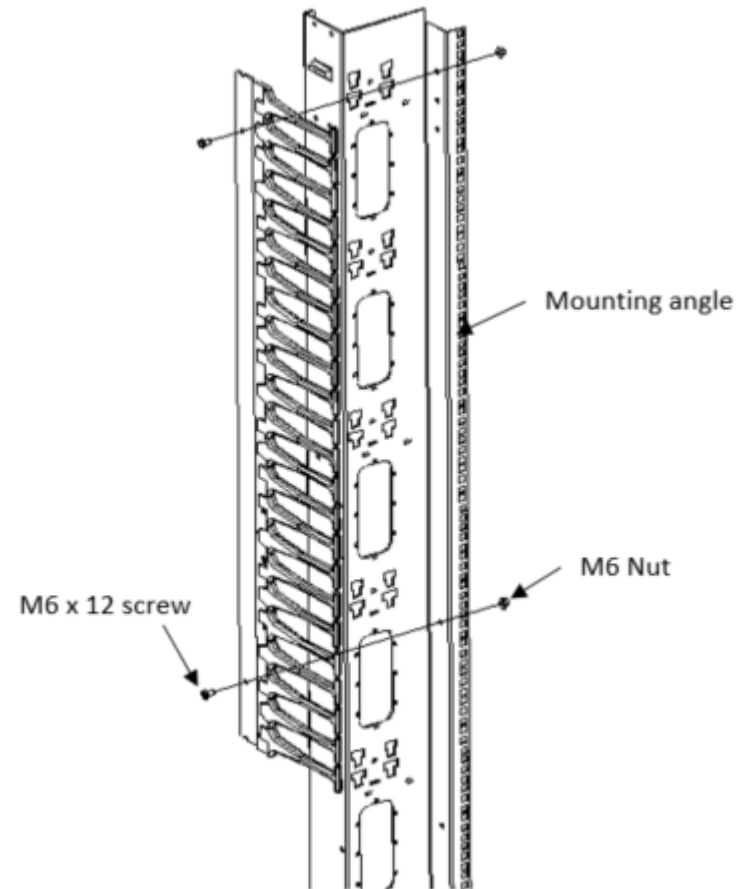


Figure 1

Installation Instructions

GT-Series GlobalFrame Gen 2 Cable Manager

3. Mount the four door support brackets to the outside of the equipment rail using two M6 x 12mm screws for each bracket, see figure 2.

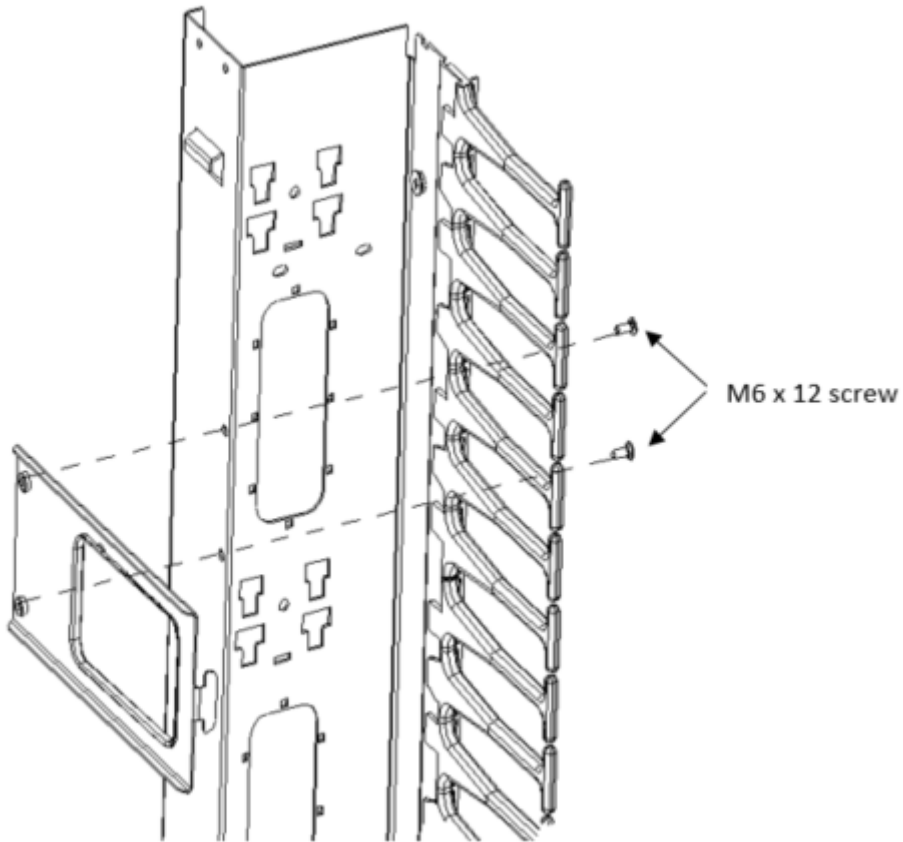


Figure 2

4. The door is installed by slipping the door onto the door support tabs with the tabs going through the corner slots on the door. Then the door is slid down on the tabs to lock it on the brackets. See figure 3.

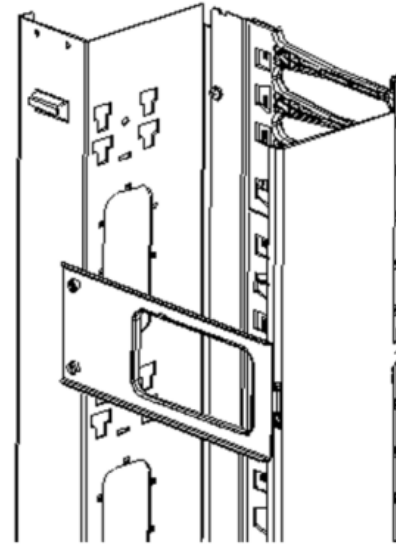


Figure 3

5. The door can now be rotated until the door locks snap in between the ends of the cable fingers as shown in figure 4.

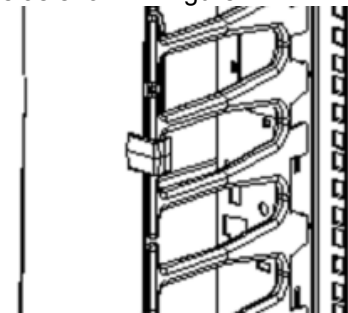


Figure 4