

Installation Instructions

GT-Series GlobalFrame Gen 2 Bottom Panel

Included Hardware:

M6 x10mm Philips Screw, 4 ea.

M4 x 8mm Philips Screw, 2 ea.

Tools Required:

Phillips screwdriver

Assembly Notes:

1. Install the Bottom Panel before positioning equipment mounting rails or rack-mounting any equipment. Rails may block installation.
2. Bottom Panel is a two-piece assembly. The brush cable port are installed at the rear of the cabinet.

Installation Instructions

1. Fasten the front panel using two M6x10mm screws into the bottom frame as shown in Fig.1

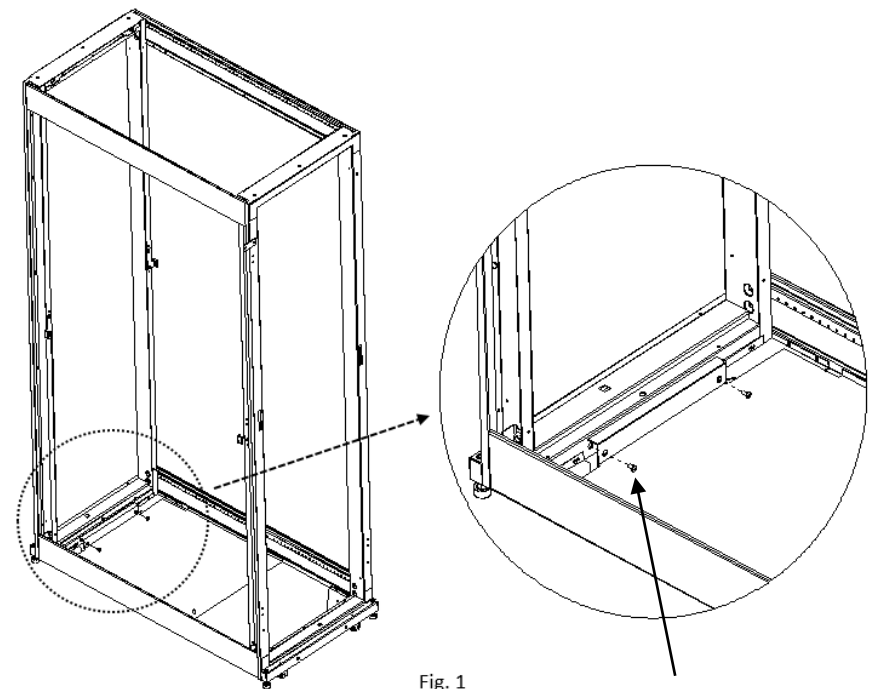


Fig. 1

M6 X 10mm screw



IIS-726130 , 5/5/16, Rev. 1, CPI/MZ/JL

800-834-4969 (USA & Canada) • www.chatsworth.com • techsupport@chatsworth.com

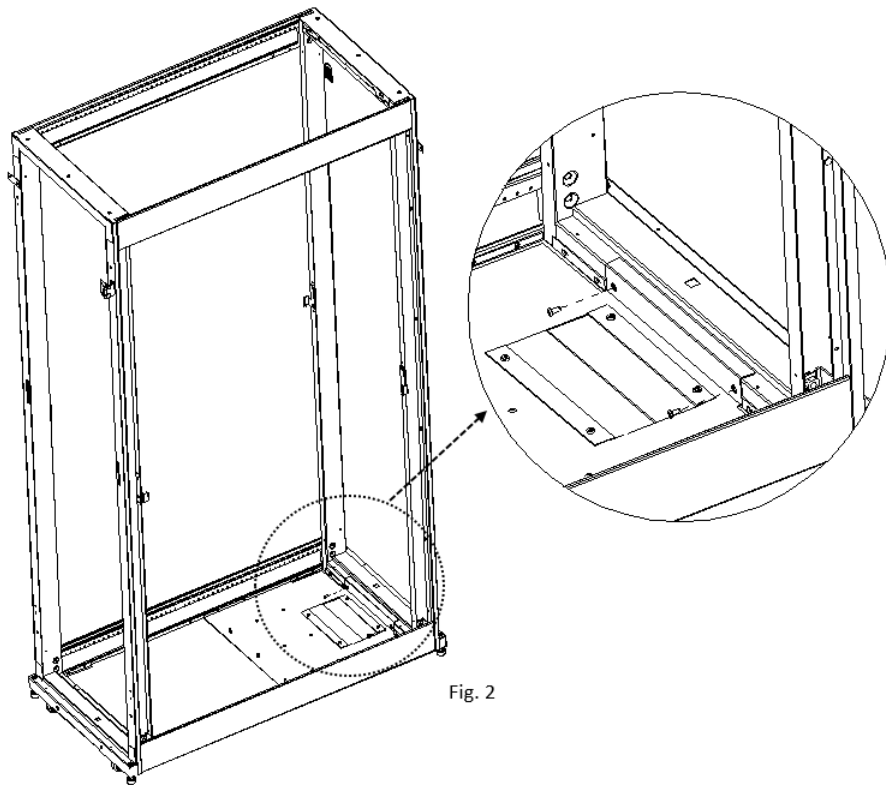
For international phone numbers, see our website or contact CPI Tech Support.

This drawing contains proprietary and confidential information and is protected by U.S. and international law. Unauthorized reproduction, disclosure or use of the drawing or the information therein is expressly forbidden except as agreed to in writing by Chatsworth Products, Inc.

Installation Instructions

GT-Series GlobalFrame Gen 2 Bottom Panel

2. The same way to fasten the rear panel as shown in Fig.2



3. Using two M4 x 8mm screw to fix the middle hole on left and right side, shown as Fig.3

