

Installation Instructions

GT-Series GlobalFrame Gen 2 Rear Door

Safety Information



WARNING: Improper use of this product may lead to serious injury. Read and understand all instructions for proper installation and use of this product.

Intended Use

Install only in a restricted service environment, such as a data center. Use indoors only, in environmentally controlled areas; do not use outdoors, in harsh environments or in air-handling spaces. Allow only qualified service personnel for installation.

Tools Required

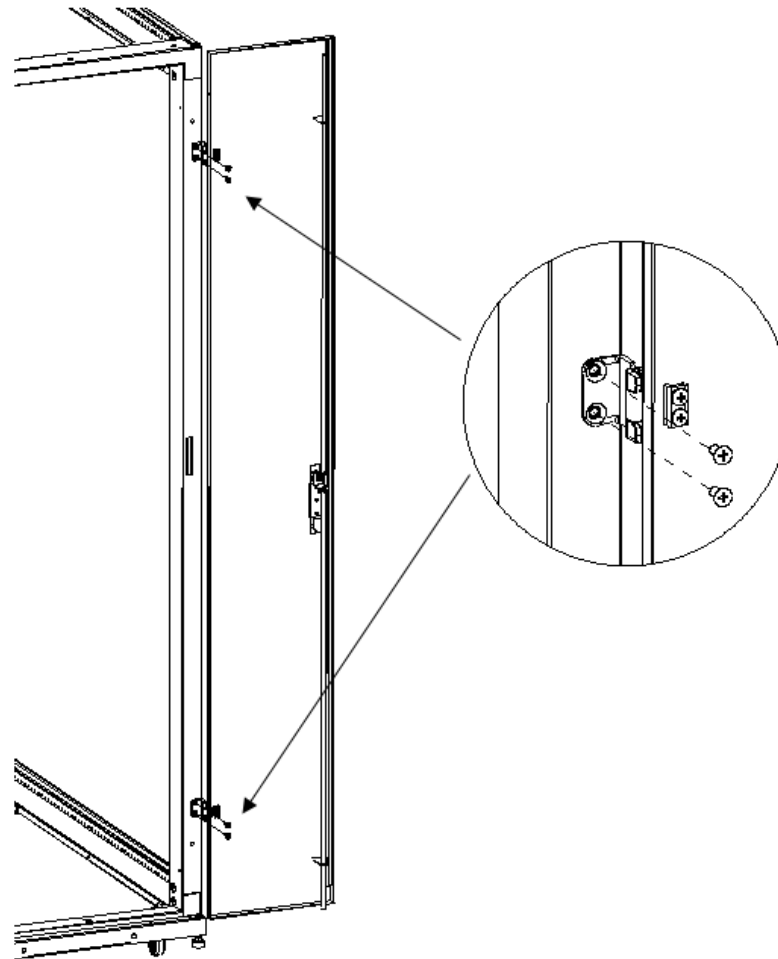
#2 Phillips screwdriver

Included Hardware

8 M6X12 Flathead Screws

Assembly Sequence

1. Slide the right rear door to the fully extended position. Attach each hinge to the frame using two M6X12 flat head screws.
2. Do the same for the left rear door



IIS-726350, 5/5/16, Rev 1 CPI/MZ/JL
800-834-4969 (USA & Canada) • www.chatsworth.com •
techsupport@chatsworth.com
For international phone numbers, see our website or contact CPI Tech Support.

This drawing contains proprietary and confidential information and is protected by U.S. and international law. Unauthorized reproduction, disclosure or use of the drawing or the information therein is expressly forbidden except as agreed to in writing by Chatsworth Products, Inc.