

**Technical Specs:**

<b>Input Ratings</b>	
Nominal Voltage (VAC)	208VAC, Three Phase, 50/60 Hz
Input Plug / Cord	IEC 60A 3P+E (460P9W), 10 ft (3m)
Current Rating	60A derated to 48A (NA)
Power Rating (kW)	17.2
<b>Output Ratings</b>	
Nominal Voltage (VAC)	208VAC, 50/60 Hz
Current Rating	48A per Phase
Outlet Rating	C13: 12A max
<b>Max Current per Breaker</b>	
16A Max Unblanced/ 13.8A Balanced	
<b>Outlet Combination</b>	
CB1, CB2, CB3, CB4, CB5, CB6: (8) C-13	
<b>Load Segment</b>	
(8) C-13	
<b>PDU Total</b>	
(48) C13	
<b>Branch Circuit Protection</b>	
(6) 2-pole 20A UL489 Breakers	
<b>Surge Suppression</b>	
None	

**Features:**

Local Display	(1) LCD Display - Branch Monitoring, IP Setup, Alarm Notification
Branch Monitoring	Current, Voltage, Power, PF per Circuit
Monitoring Accuracy	+/- 1% True RMS
Ethernet Port	10/100/1000 Mbps RJ-45
Remote Monitoring	IP v4/v6, SNMP v1/v2/v3, Serial
Remote Control	ON/OFF/CYCLE outlets remotely
IP Consolidation	Link up to 32 PDUs under a single IP address
USB Port	Update firmware
Control Interface	Built-in Web Browser, HTTP, SNMP, Serial RS-232
Sensor Interface	(2) Temperature and Humidity Sensors
Cord Retention	Locking Receptacles
Mounting System	Multiple tool-less mounting button locations, A and B (see detail)

**Dimensions & Weights:**

Width (in[mm])	4.0 [101.6]
Height (in[mm])	70.5 [1791]
Depth (in[mm])	2.2 [55]
Weight (lbs[kg])	

**Regulatory Information:**

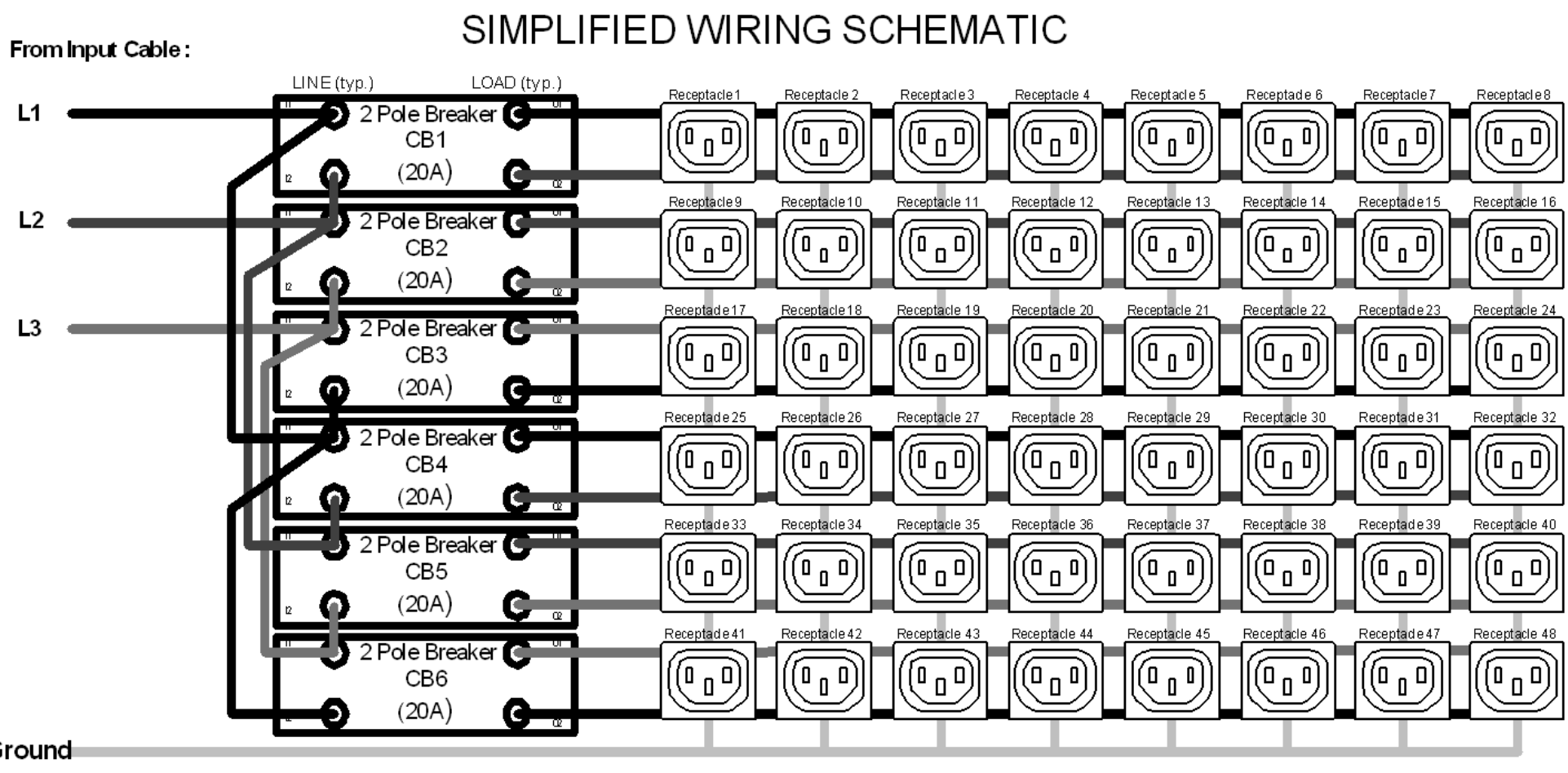
UL & cUL Listed, IEC 60950-1, CSA C22.2, CE, NOM, RoHS, FCC Part 15 Class A, EN 55022	
---	--

**Environmental Conditions:**

Operating Temperature	32 - 149F (0 - 65C)
Operating Rel Humidity	5 - 95%
Operating Elevation	0-10000 ft (0-3000 m)
Storage Temperature	-13 - 149F (-25 - 65C)
Storage Rel Humidity	5 - 95%
Storage Elevation	0-50000ft (0-15000 m)

**Hardware Included:** (2) tool less mounting buttons  
(1) ground kit cable

**Optional Accessories:** Temp/Hum Environmental Sensor P/N 35941-132



**Notes:**

- All Dimension are in inches [millimeters] unless otherwise specified
- Installation must conform with all related national and local codes
- All Bracket kits are sold separately. Toolless mounting buttons are included for installation in CPI cabinets.
- For more information, please contact Tech Support at [techsupport@chatsworth.com](mailto:techsupport@chatsworth.com)

©2016 Chatsworth Products, Inc. All rights reserved.

All products quoted are subject to availability based on manufacturing capacity and shipping dates should be considered estimates only.

While every effort has been made to ensure the accuracy of all information, CPI does not accept liability for any errors or omissions and reserves the right to change information and descriptions of listed services and products.

**CPI CHATSWORTH PRODUCTS, INC.**

eConnect Vertical (0U) PDU, Switched, IEC 60A 3P+E (460P9W), 10 ft (3m), 208VAC Three Phase, 50/60 Hz Input, 48A per Phase, (48) C13 Locking Outlets, 208V Output, 50/60 Hz Output

**L5-6V0Q1** ISS 1

SHEET 1 OF 1

THIRD ANGLE