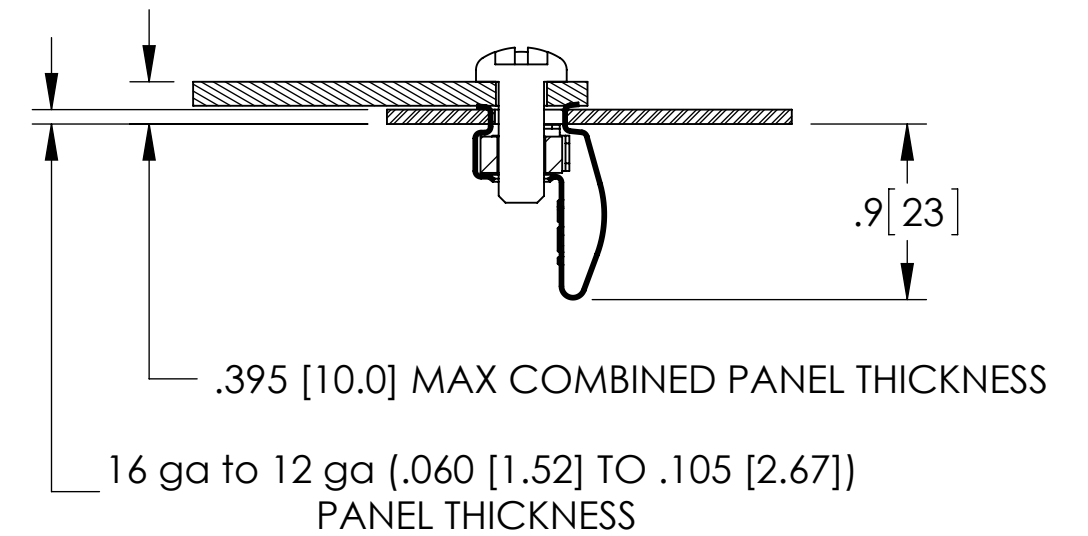
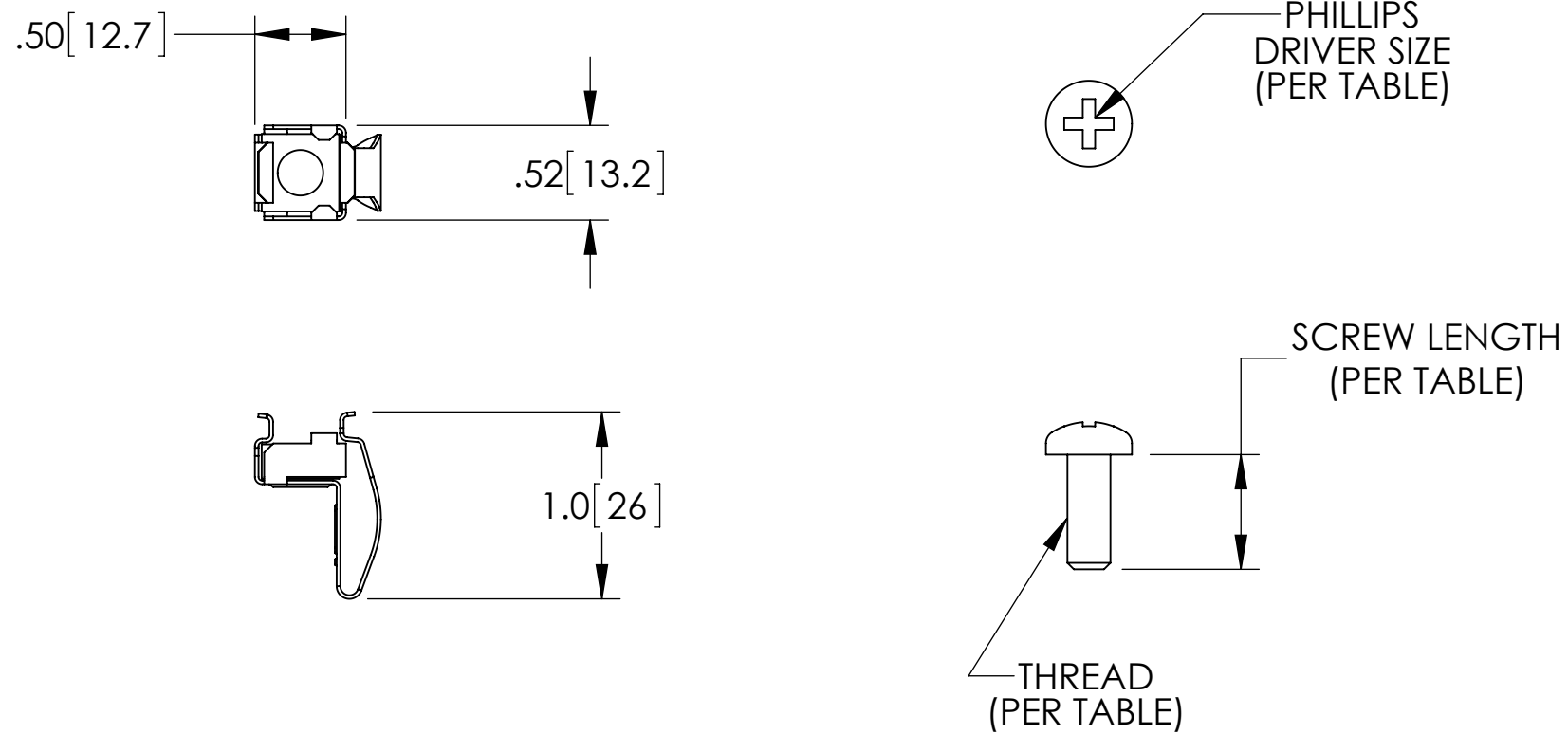


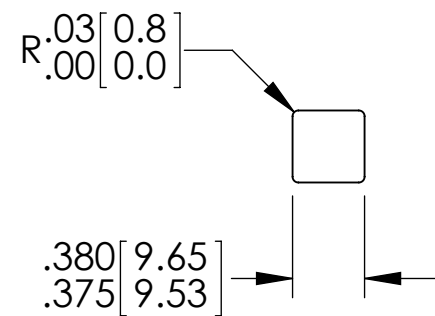
TYPICAL APPLICATION



ADJACENT CORNER APPLICATION



MOUNTING HOLE



PART NUMBER	PACKAGE QTY	THREAD SIZE	SCREW LENGTH	PHILLIPS DRIVER
76543-001	25	M6 X1.0	16 mm	#3
76543-002	250			
76543-003	1,000			
76544-001	25	12-24	5/8"	#3
76544-002	250			
76544-003	1,000			
76545-001	25	10-32	5/8"	#2
76545-002	250			
76545-003	1,000			

CPI CHATSWORTH PRODUCTS, INC.
 800-834-4969 techsupport@chatsworth.com www.chatsworth.com

Clik-Nut™
 Hardware Kit
 Specification Sheet

THIS DRAWING CONTAINS PROPRIETARY AND CONFIDENTIAL INFORMATION AND IS PROTECTED BY U.S. AND INTERNATIONAL LAW. UNAUTHORIZED REPRODUCTION, DISCLOSURE OR USE OF THE DRAWING OR THE INFORMATION THEREIN IS EXPRESSLY FORBIDDEN EXCEPT AS AGREED TO IN WRITING BY CHATSWORTH PRODUCTS, INC.