

Installation Instructions

RMR WALL-MOUNT QUICK WALL-MOUNTING KIT

Safety Information



WARNING: Improper use of this product or failure to follow these instructions may result in equipment damage, personal injury, or death. Read and understand all instructions for proper installation and use of this product.



WARNING: Before loading equipment in the cabinet, be sure all parts and hardware are properly installed and tightened.

Tools Required

M13 Socket Driver

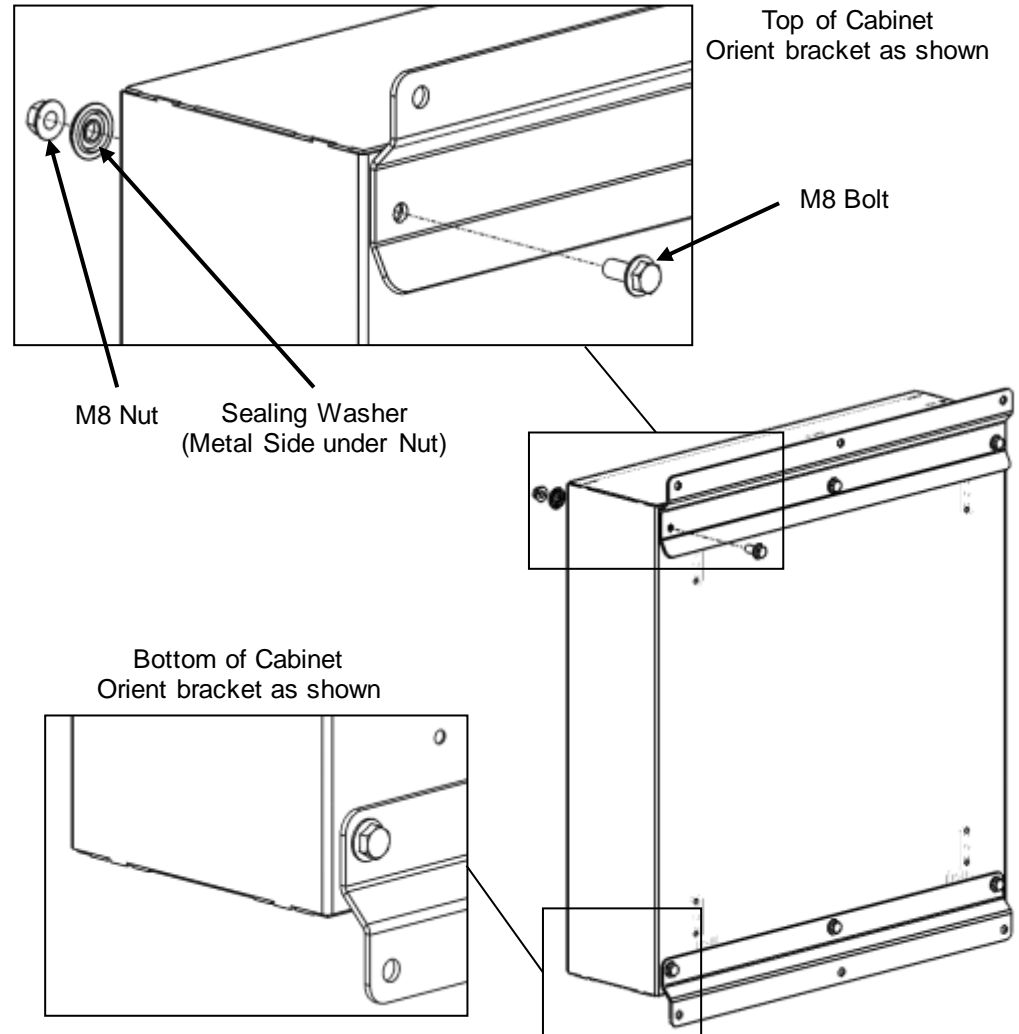
Included Hardware

- (6) M8 Serrated Flange Hex Nut
- (6) M8x20 Serrated Flange Hex Bolt
- (6) Sealing Washer
- (9) M8x40 Lag Screw

Assembly Sequence

Cabinet Brackets

1. Detach Rear Chassis from Center Chassis by removing the hinge pins.
2. Install Top and Bottom Brackets to Cabinet using M8 Hardware and Sealing Washers.



IIS-737045, 09/16/16, Rev. 1, CPI/SJG

800-834-4969 (USA & Canada) • www.chatsworth.com • techsupport@chatsworth.com

For international phone numbers, see our website or contact CPI Tech Support.

This drawing contains proprietary and confidential information and is protected by U.S. and international law. Unauthorized reproduction, disclosure or use of the drawing or the information therein is expressly forbidden except as agreed to in writing by Chatsworth Products, Inc.

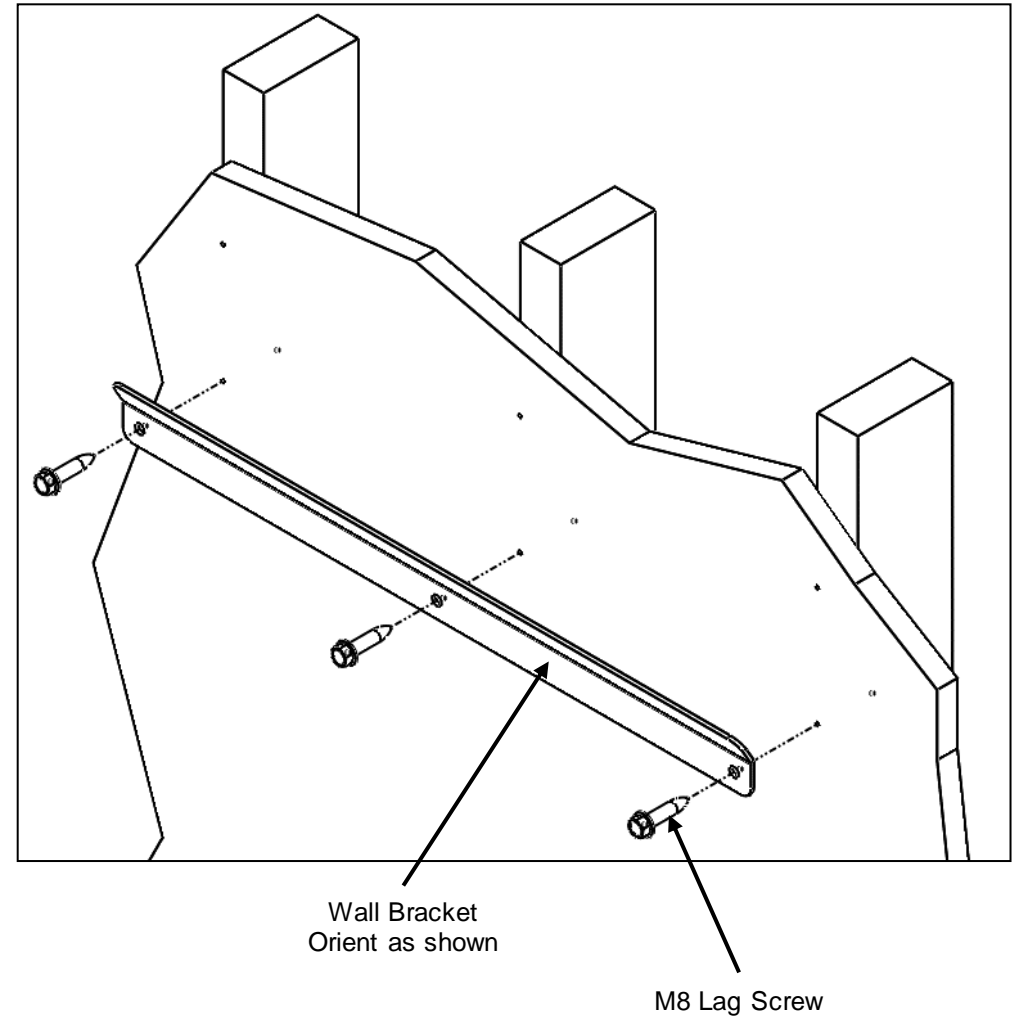
Installation Instructions

RMR WALL-MOUNT QUICK WALL-MOUNTING KIT

Wall Bracket

3. Determine desired height of Cabinet on wall.
4. Use the Wall Bracket as a template and drill pilot holes for the Left Lag Screws.
5. Install left Lag Screw with Washer through Wall Bracket into wall.
6. Rotate Wall Bracket until level.
7. Drill pilot hole for the right Lag Screw and install right Lag Screw with Washer through Wall Bracket into wall.
8. Drill pilot hole for the center Lag Screw and install center Lag Screw with Washer through Wall Bracket into wall.

Note: The lag screws are intended to go through $\frac{3}{4}$ " (19mm) plywood back-board and then into wood wall studs. For masonry or other surfaces, the installer must provide appropriate hardware.



Installation Instructions

RMR WALL-MOUNT QUICK WALL-MOUNTING KIT

Cabinet Hanging

9. Lift Rear Chassis and hang Cabinet Bracket onto Wall Bracket.
10. Drill pilot holes for the six (6) lag screw locations.
11. Immediately secure the cabinet to the wall with six (6) Lag Screws.



WARNING: Rear Chassis must be secured to the wall with 6 Lag Screws. Do not allow Cabinet to be only supported by Wall Bracket. Do not attach Center Chassis until all 6 Lag Screws are installed.

12. Attach Center Chassis to Rear Chassis.

