

Installation Instructions

RMR WALL-MOUNT LAG BOLT MOUNTING KIT

Safety Information



WARNING: Improper use of this product or failure to follow these instructions may result in equipment damage, personal injury, or death. Read and understand all instructions for proper installation and use of this product.



WARNING: Before loading equipment in the cabinet, be sure all parts and hardware are properly installed and tightened.

Tools Required

M13 Socket Driver

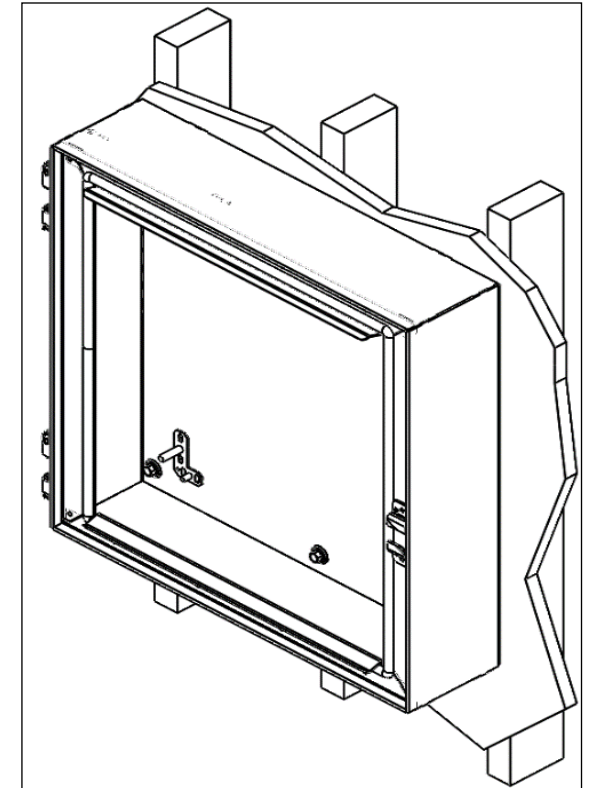
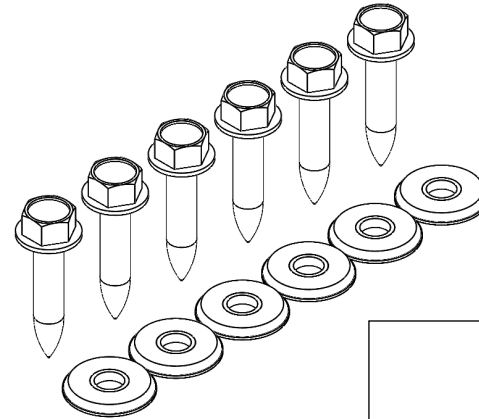
Included Hardware

- (6) Sealing Washer
- (6) M8x40 Lag Screw

Assembly Sequence

Cabinet Brackets

1. Detach Rear Chassis from Center Chassis by removing the hinge pins.
2. Determine desired location of Cabinet on wall.
3. Place Rear Chassis flush against wall at desired location.
4. Use the Rear Chassis as a template and drill pilot holes for the two top corner Lag Screws.



IIS-737049, 09/16/16, Rev. 1, CPI/SJG

800-834-4969 (USA & Canada) • www.chatsworth.com • techsupport@chatsworth.com

For international phone numbers, see our website or contact CPI Tech Support.

This drawing contains proprietary and confidential information and is protected by U.S. and international law. Unauthorized reproduction, disclosure or use of the drawing or the information therein is expressly forbidden except as agreed to in writing by Chatsworth Products, Inc.

Installation Instructions

RMR WALL-MOUNT LAG BOLT MOUNTING KIT

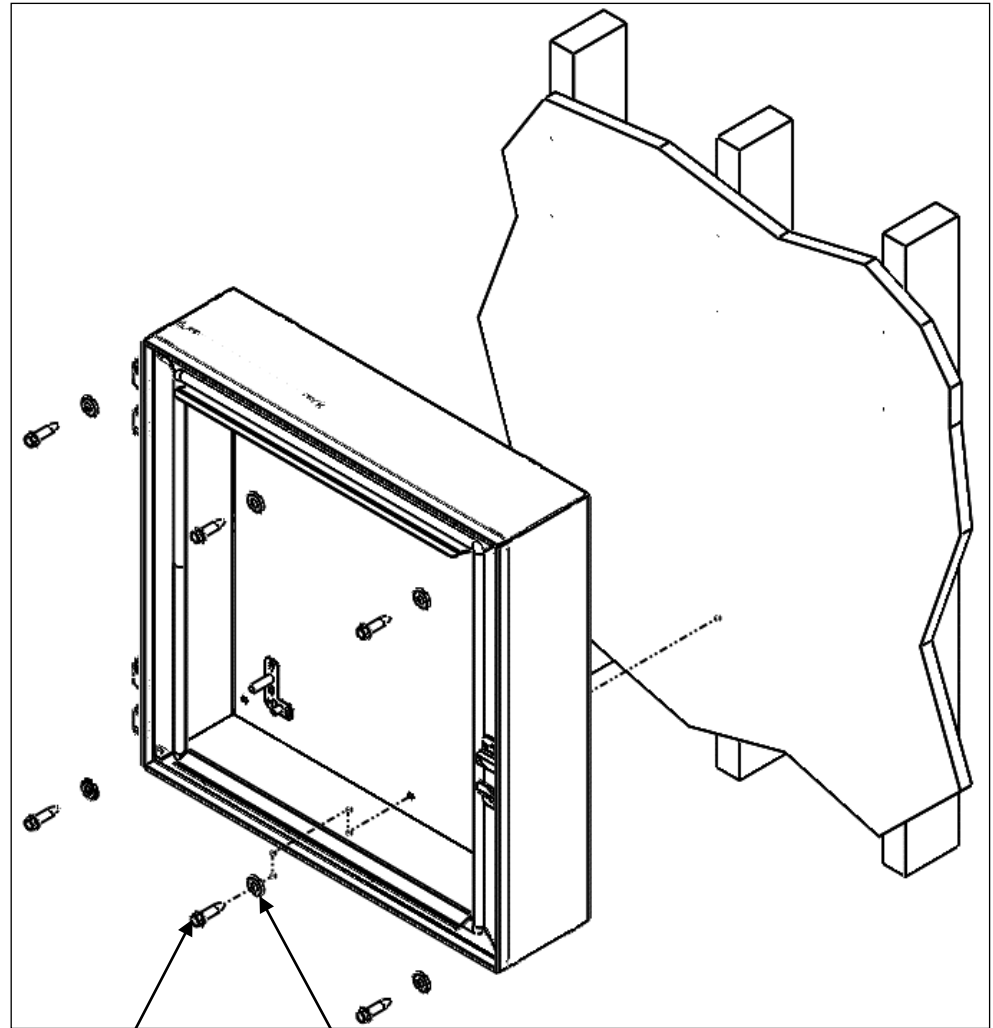
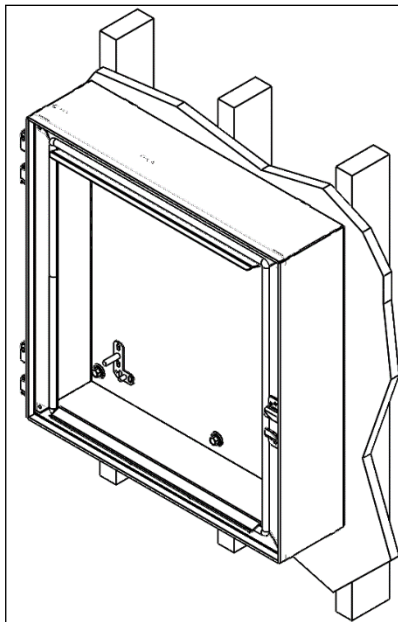
Note: The lag screws are intended to go through $\frac{3}{4}$ " (19mm) plywood back-board and then into wood wall studs. For masonry or other surfaces, the installer must provide appropriate hardware.

5. Install left Lag Screw with Washer through Rear Chassis into wall.
6. Rotate Rear Chassis until level.
7. Install right Lag Screw with Washer through Rear Chassis into wall.
8. Drill pilot holes for remaining Lag Screws.
9. Install remaining Lag Screws with Washers through Rear Chassis into wall.



WARNING: Rear Chassis must be secured to the wall with 6 Lag Screws. Do not attach Center Chassis until all 6 Lag Screws are installed.

10. Attach Center Chassis to Rear Chassis.



M8 Lag Screw Sealing Washer
(Metal Side under Nut)