

# Installation Instructions

## RMR WALL-MOUNT WINDOW DOOR ASSEMBLY

### Safety Information



**WARNING:** Improper use of this product may lead to serious injury. Read and understand all instructions for proper installation and use of this product.

### Tools Required

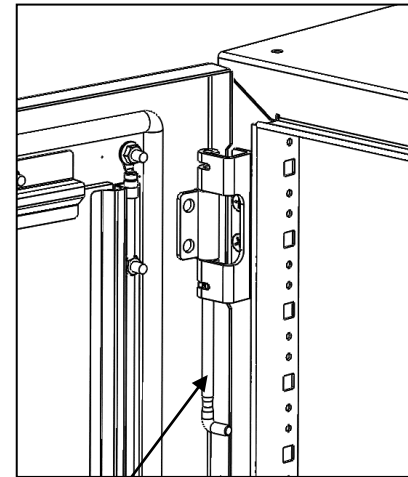
T25 Torx Screw Driver

### Included Hardware

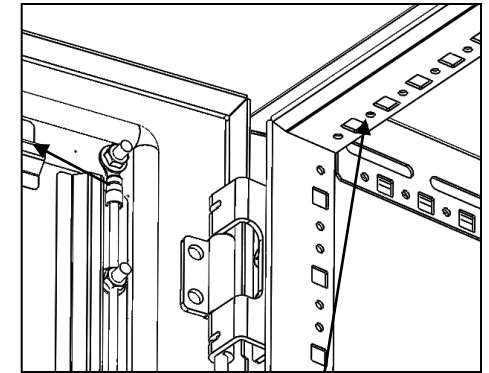
- (1) Ground Wire
- (1) M5.5x9 Torx Panhead Screw

### Assembly Sequence

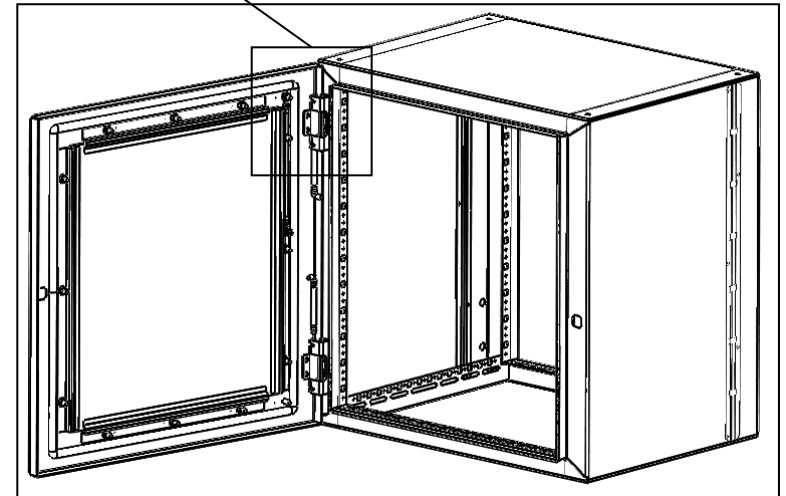
1. Align hinges on door with hinges on cabinet.
2. Press Hinge Pins through door hinges until fully seated. (detent engaged)
3. Attach Ground Wire to circular hole using M5.5 Torx panhead screws (torque 44 IN-LB [5 N-M]).



Hinge Pin  
Shown un-seated



Attach  
Ground Wire  
to hole



IIS-737060, 09/16/16, Rev. 1, CPI/SJG  
800-834-4969 (USA & Canada) • [www.chatsworth.com](http://www.chatsworth.com) • [techsupport@chatsworth.com](mailto:techsupport@chatsworth.com)  
For international phone numbers, see our website or contact CPI Tech Support.

*This drawing contains proprietary and confidential information and is protected by U.S. and international law. Unauthorized reproduction, disclosure or use of the drawing or the information therein is expressly forbidden except as agreed to in writing by Chatsworth Products, Inc.*