

Installation Instructions

RMR WALL-MOUNT SOLID DOOR ASSEMBLY

Safety Information



WARNING: Improper use of this product may lead to serious injury. Read and understand all instructions for proper installation and use of this product.

Tools Required

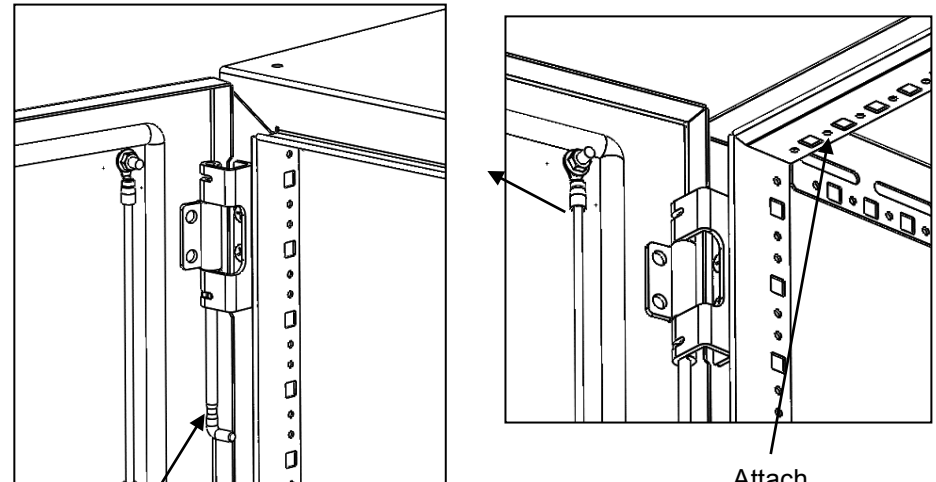
T25 Torx Screw Driver

Included Hardware

- (1) Ground Wire
- (1) M5.5x9 Torx Panhead Screw

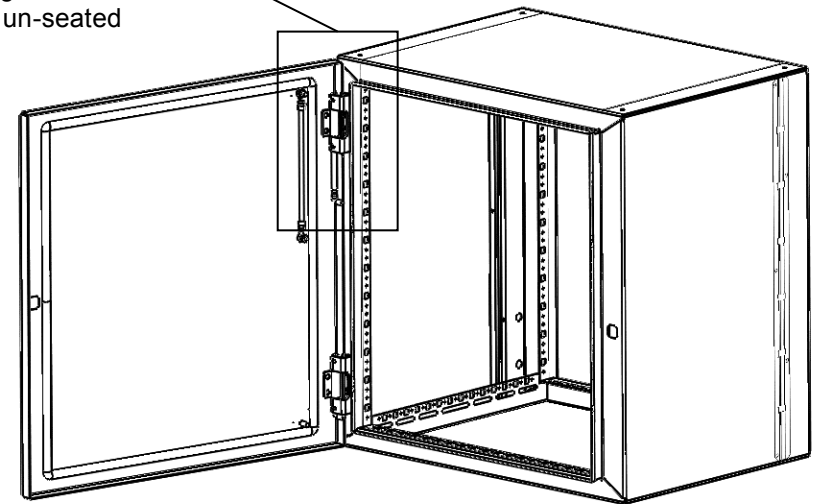
Assembly Sequence

1. Align hinges on door with hinges on cabinet.
2. Press Hinge Pins through door hinges until fully seated.(detent engaged)
3. Attach Ground Wire to circular hole using M5.5 Torx panhead screws (torque 44 IN-LB [5 N-M]).



Hinge Pin
Shown un-seated

Attach
Ground Wire
to hole



IIS-737070, 09/16/16, Rev. 1, CPI/SJG
800-834-4969 (USA & Canada) • www.chatsworth.com • techsupport@chatsworth.com
For international phone numbers, see our website or contact CPI Tech Support.

This drawing contains proprietary and confidential information and is protected by U.S. and international law. Unauthorized reproduction, disclosure or use of the drawing or the information therein is expressly forbidden except as agreed to in writing by Chatsworth Products, Inc.