

# Installation Instructions

## RMR WALL-MOUNT HORIZONTAL LASHING BRACKET, DH

### Safety Information



**WARNING:** Improper use of this product may lead to serious injury. Read and understand all instructions for proper installation and use of this product.

### Tools Required

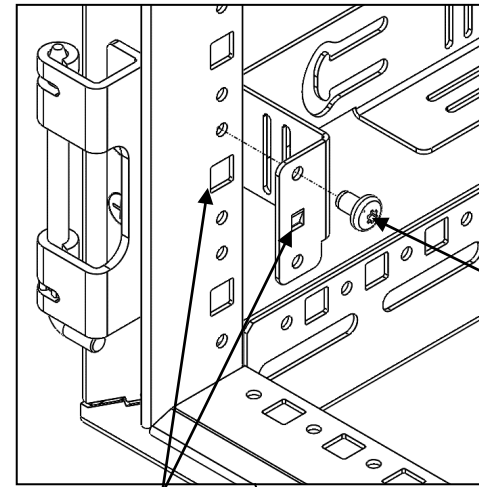
T25 Torx Screw Driver

### Included Hardware

(2) M5.5x9 Torx Panhead Screw

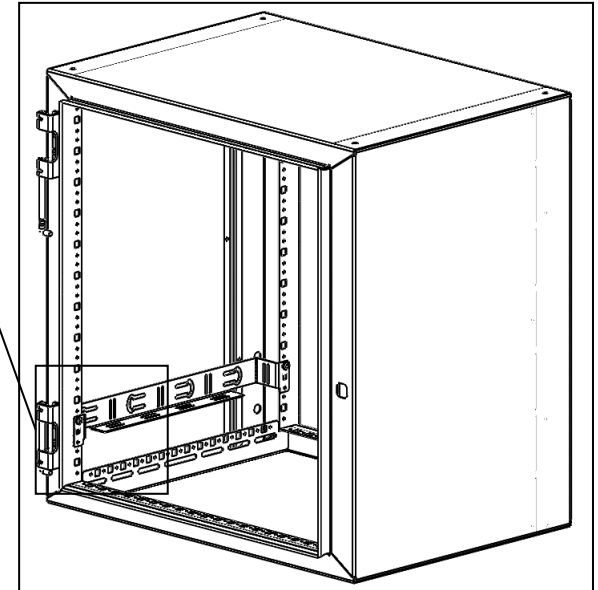
### Assembly Sequence

1. Place Lashing Bracket flush against mounting flange at desired location.
2. Attach with screw to circular holes on mounting flange, front and rear.  
(Torque 44 IN-LB [5 N-M]).



Tab into  
Square hole

M5.5 Torx  
Screw



IIS-737084, 09/16/16, Rev. 1, CPI/SJG

800-834-4969 (USA & Canada) • [www.chatsworth.com](http://www.chatsworth.com) • [techsupport@chatsworth.com](mailto:techsupport@chatsworth.com)

For international phone numbers, see our website or contact CPI Tech Support.

*This drawing contains proprietary and confidential information and is protected by U.S. and international law. Unauthorized reproduction, disclosure or use of the drawing or the information therein is expressly forbidden except as agreed to in writing by Chatsworth Products, Inc.*