

# Installation Instructions

## RMR WALL-MOUNT VERTICAL CABLE MANAGER

### Safety Information



**WARNING:** Improper use of this product may lead to serious injury. Read and understand all instructions for proper installation and use of this product.

### Tools Required

T25 Torx Screw Driver

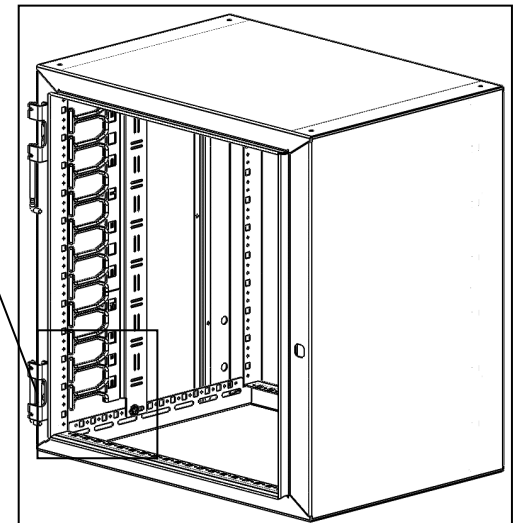
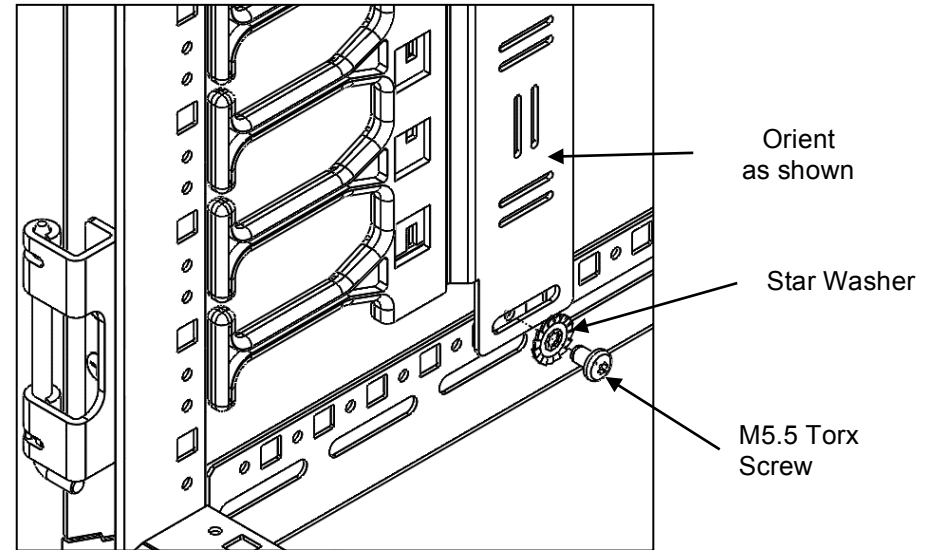
### Included Hardware

(2) M5.5x9 Torx Panhead Screw

(2) M5 Star Washer

### Assembly Sequence

1. Place Bracket flush against mounting flange.
2. Attach with screw and washer to circular holes on mounting flange, top and bottom. (Torque 44 IN-LB [5 N-M]).



IIS-737086, 09/16/16, Rev. 1, CPI/SJG

800-834-4969 (USA & Canada) • [www.chatsworth.com](http://www.chatsworth.com) • [techsupport@chatsworth.com](mailto:techsupport@chatsworth.com)

For international phone numbers, see our website or contact CPI Tech Support.

*This drawing contains proprietary and confidential information and is protected by U.S. and international law. Unauthorized reproduction, disclosure or use of the drawing or the information therein is expressly forbidden except as agreed to in writing by Chatsworth Products, Inc.*