

Installation Instructions

RMR WALL-MOUNT HORIZONTAL LASHING BRACKET, SD

Safety Information



WARNING: Improper use of this product may lead to serious injury. Read and understand all instructions for proper installation and use of this product.

Tools Required

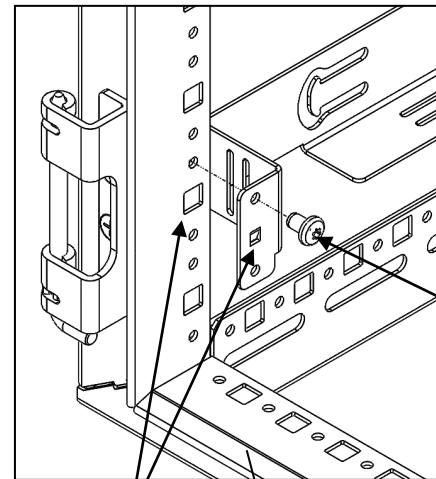
T25 Torx Screw Driver

Included Hardware

(2) M5.5x9 Torx Panhead Screw

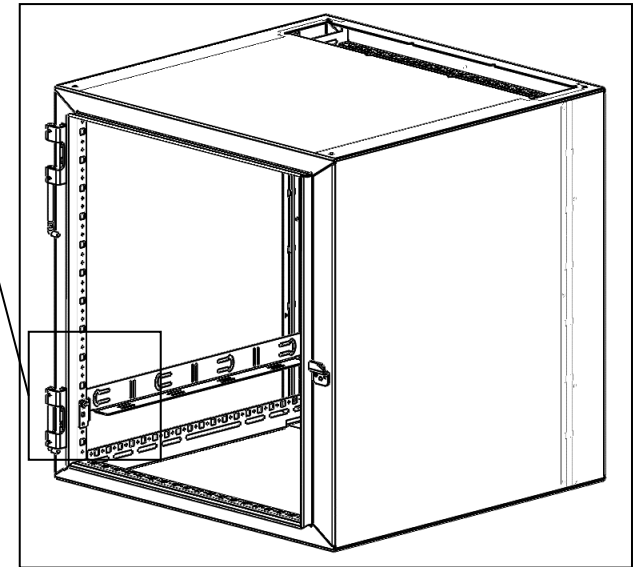
Assembly Sequence

1. Place Lashing Bracket flush against mounting flange at desired location.
2. Attach with screw to circular holes on mounting flange, front and rear.
(Torque 44 IN-LB [5 N-M]).



M5.5 Torx
Screw

Tab into
Square hole



IIS-737252, 09/16/16, Rev. 1, CPI/SJG
800-834-4969 (USA & Canada) • www.chatsworth.com • techsupport@chatsworth.com
For international phone numbers, see our website or contact CPI Tech Support.

This drawing contains proprietary and confidential information and is protected by U.S. and international law. Unauthorized reproduction, disclosure or use of the drawing or the information therein is expressly forbidden except as agreed to in writing by Chatsworth Products, Inc.