

Installation Instructions

RMR DOUBLE BIT LATCH

Safety Information



WARNING: Improper use of this product may lead to serious injury. Read and understand all instructions for proper installation and use of this product.

Tools Required

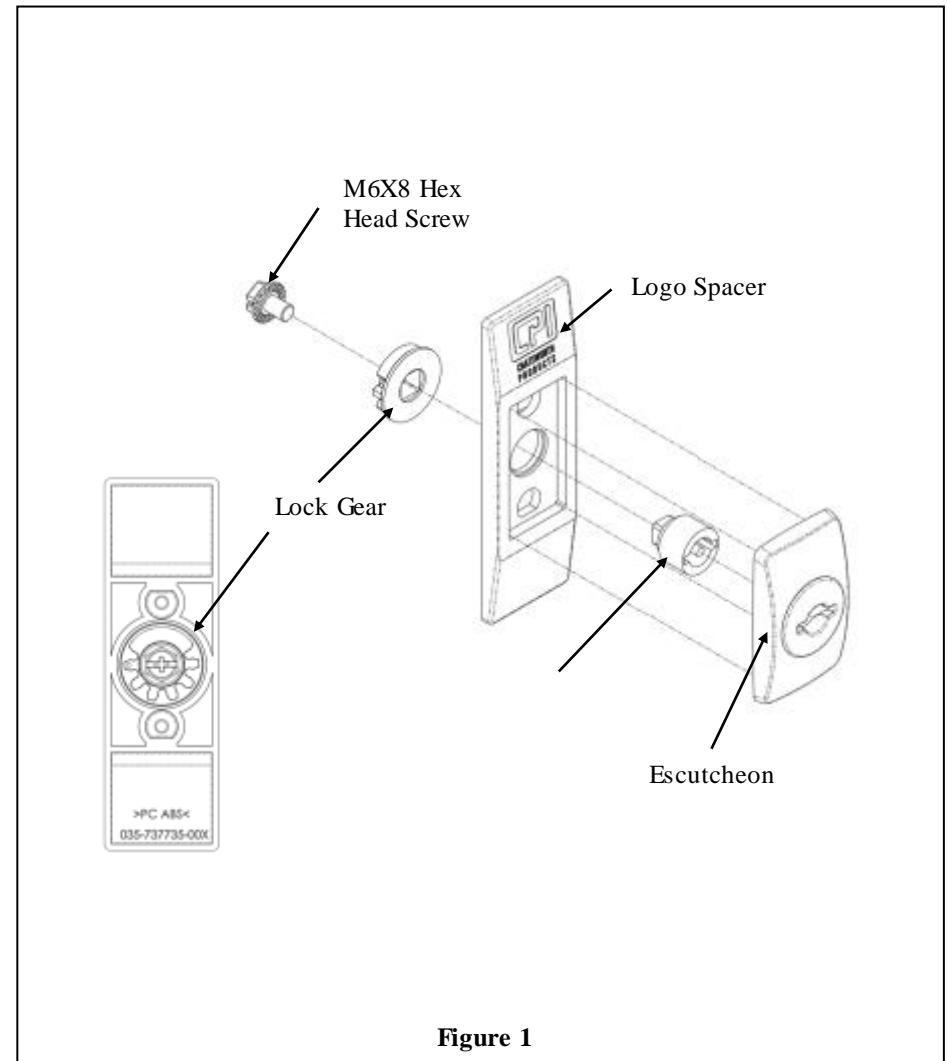
Phillips Driver

Included Hardware

- (2) Clevis pin (qty 4 for 2400 tall enclosure)
- (2) Circlip (qty 4 for 2400 tall enclosure)
- (4) 5mm push nut
- (4) Latch bar guide
- (2) Gear
- (1) Latch kit
- (1) Latch cover
- (1) Latch spacer

Assembly Sequence

1. Assemble lock by installing lock core into escutcheon. Align slots in core with slots in escutcheon. Press CPI logo spacer and escutcheon together. Orient non-toothed portion of gear at top (toward CPI logo). Install M6X8 hex head screw. Torque to 33 in-lb [3.7 Nm]. See Figure 1.
2. Install (1) clevis pin per latch bar on holes nearest lock. See Figure 2.
3. Install (2) plastic guides per latch bar on M5X8 weld studs. Orient latch bar as shown. Install (2) M5 push nuts per latch bar on M5X8 weld studs. Latch bar must move freely in direction of slot. See Figure 2.
4. Install lock to door using (2) M4.2X13 screws. Torque to 8-11 in-lb [.9-1.3 Nm]. See Figure 2.



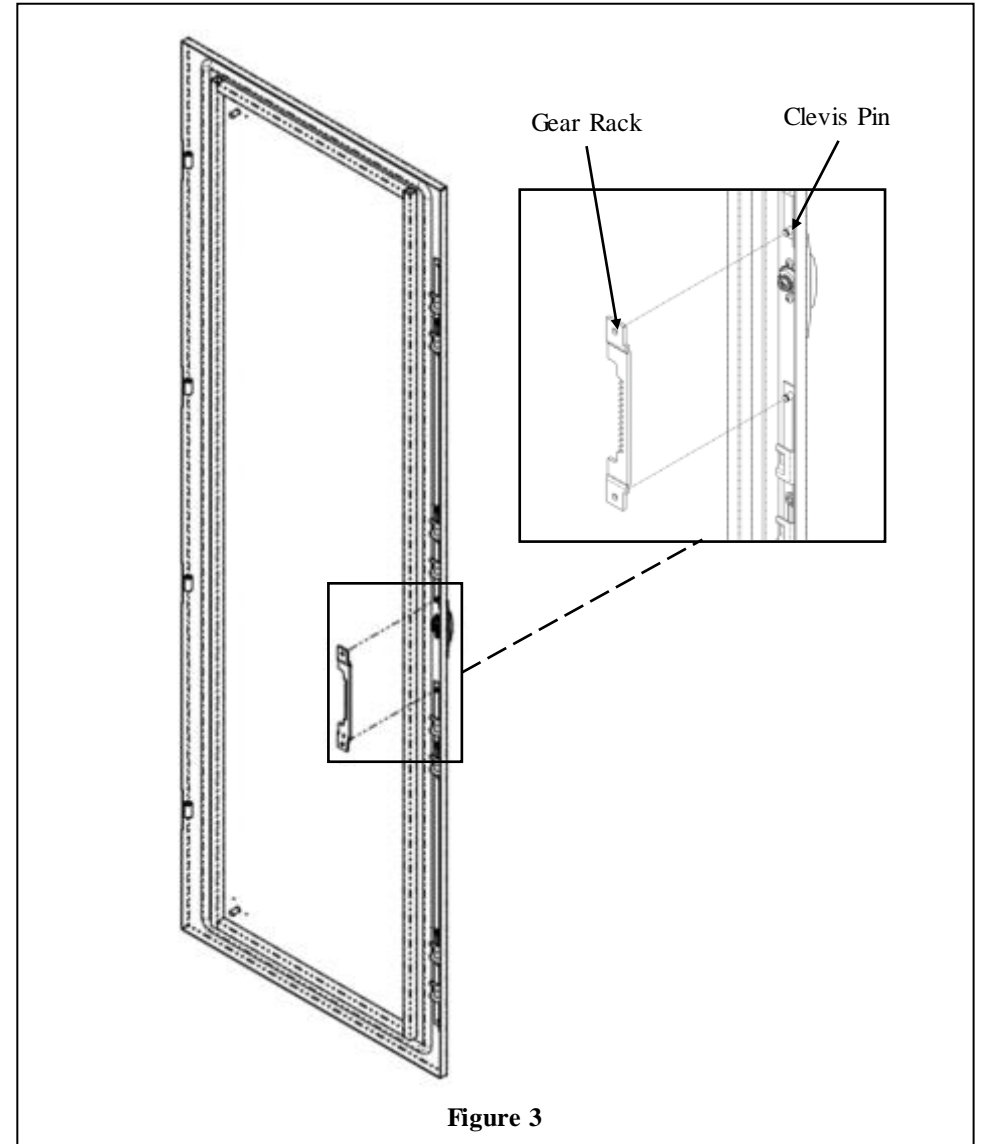
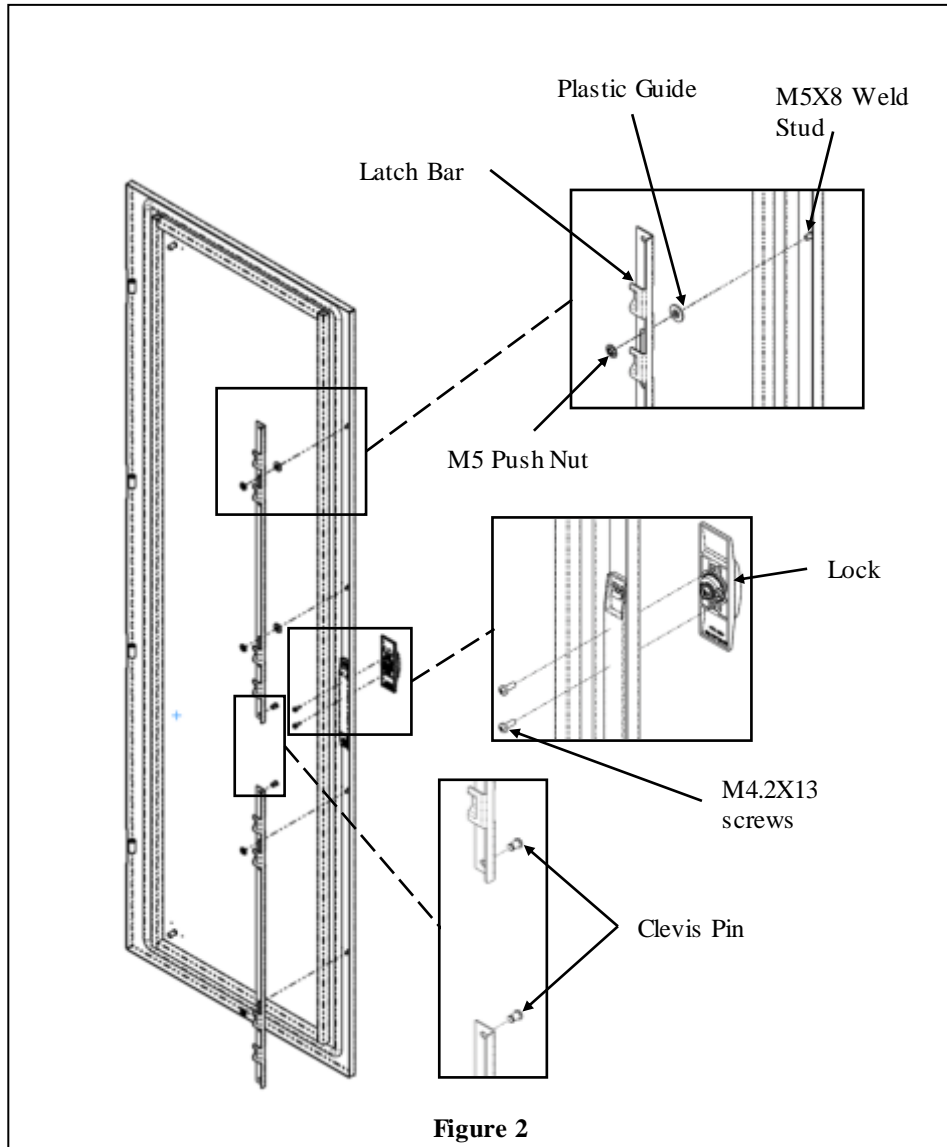
IIS-737730, 08/18/16, Rev. 1, CPI/BMO
800-834-4969 (USA & Canada) • www.chatsworth.com • techsupport@chatsworth.com
For international phone numbers, see our website or contact CPI Tech Support.

This drawing contains proprietary and confidential information and is protected by U.S. and international law. Unauthorized reproduction, disclosure or use of the drawing or the information therein is expressly forbidden except as agreed to in writing by Chatsworth Products, Inc.

Installation Instructions

RMR DOUBLE BIT LATCH

5. Install gear rack onto clevis pins. See Figure 3.



Installation Instructions

RMR DOUBLE BIT LATCH

6. Move latch bar to lowest slot position. Install gear cover over 6mm clevis pins and secure with circlips. See Figure 4.

