

Installation Instructions

RMR SIDE PANEL

Safety Information



WARNING: Improper use of this product may lead to serious injury. Read and understand all instructions for proper installation and use of this product.

Tools Required

T30 Torx Driver

Included Hardware

(20) M6X16 torx tapitite Screw

(10) Attachment bracket

(10) Cage nut

Note: 1200mm tall enclosure has 4 less brackets and corresponding cage nuts and screws.

Assembly Sequence

1. Orient cage nuts as shown. Install into brackets. See Figure 1.

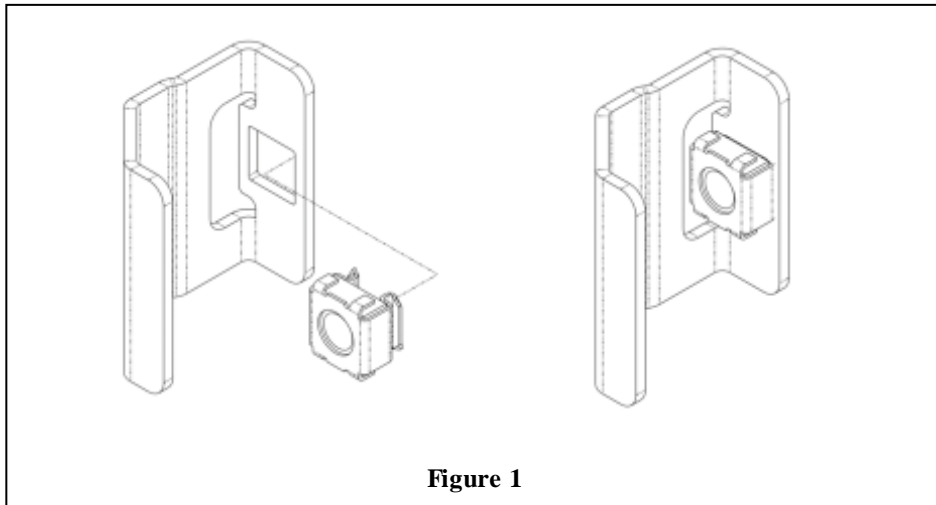


Figure 1

2. Install top bracket in orientation shown using M6X16 torx head screw. Install side brackets using same screw. Orient as shown. Top two brackets install in upper hole of hole pair. Lower two brackets install in lower hole of hole pair. Torque to 55 in-lb [6.2 N-m]. See Figure 2.

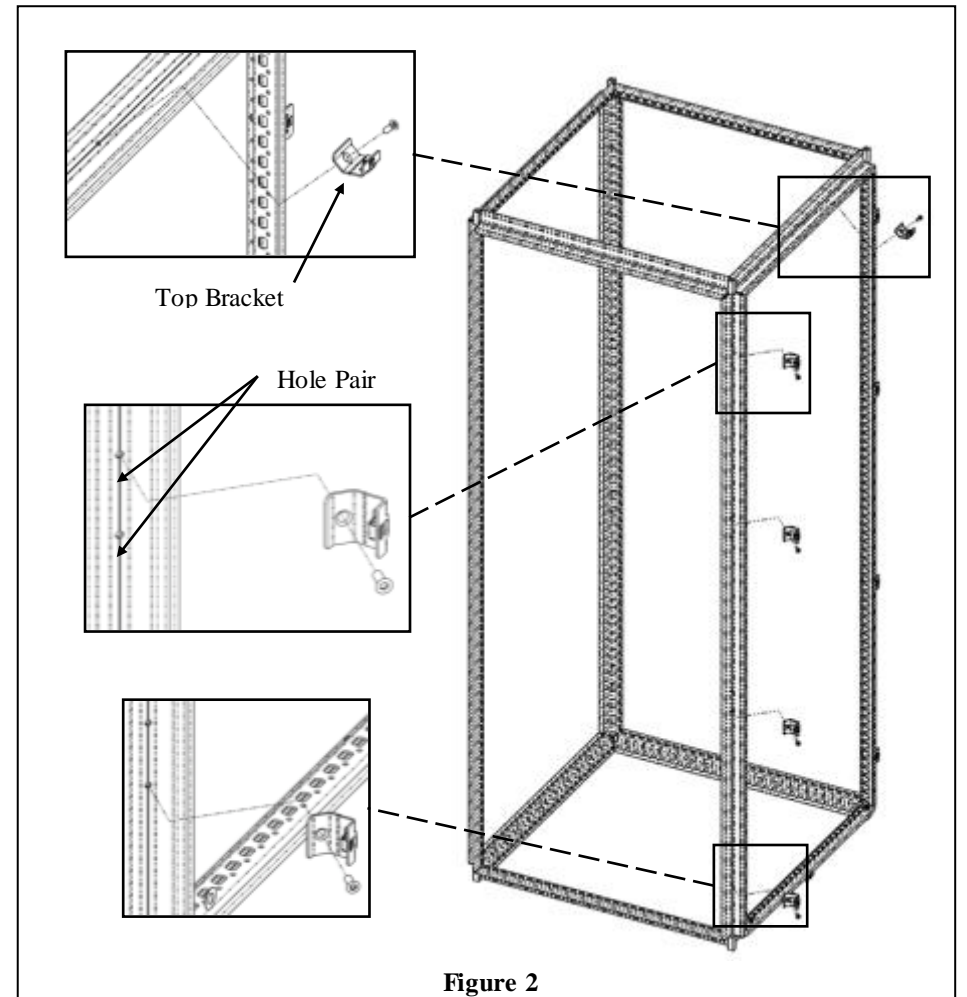


Figure 2



IIS-737750, 08/19/16, Rev. 1, CPI/BMO

800-834-4969 (USA & Canada) • www.chatsworth.com • techsupport@chatsworth.com

For international phone numbers, see our website or contact CPI Tech Support.

This drawing contains proprietary and confidential information and is protected by U.S. and international law. Unauthorized reproduction, disclosure or use of the drawing or the information therein is expressly forbidden except as agreed to in writing by Chatsworth Products, Inc.

Installation Instructions

RMR SIDE PANEL

3. Install panel by resting upper flange of panel on top of frame. Install M6X16 Torx Head screws through panel to brackets. Torque to 55 in-lb [6.2 N-m]. See Figure 3.

