

Installation Instructions

RMR MOUNTING PANEL INSET KIT

Safety Information



WARNING: Improper use of this product may lead to serious injury. Read and understand all instructions for proper installation and use of this product.

Tools Required

13mm Socket Wrench
#2 Phillips Screw Driver

Included Hardware

- (4) M6 Drop-in Nut
- (4) M6 Flat Head Screw
- (4) M8 Hammer Head Bolt
- (4) M8 Serrated Flange Nut
- (2) M8 Cage Nut

Assembly Sequence

1. To install bottom support brackets (left and right unique) on both sides of rear cabinet frame, insert M6 drop-in nuts into Double-D Cam Hole and rotate 90 degrees to engage frame (Figure 1). Attach brackets with M6 flat head screws (torque 38 IN-LB [4.3 N-M]).
2. To install the top support brackets (left and right unique) on both sides of rear cabinet frame, insert M8 Hammer Head Bolts into Double-D Cam Hole and rotate 90 degrees to engage frame (Figure 2). Attach brackets with M8 serrated flange nuts (torque 372 IN-LB [42 N-M]).
3. Install M8 cage nuts on top support brackets (Figure 2).
4. Follow steps 4-6 of Mounting Panel installation instructions for support rails and mounting panel installation.

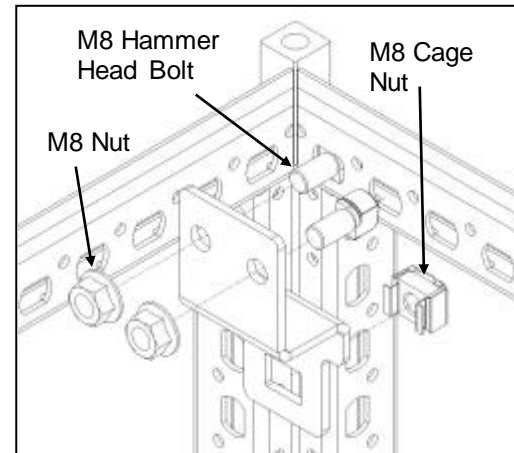


Figure 2

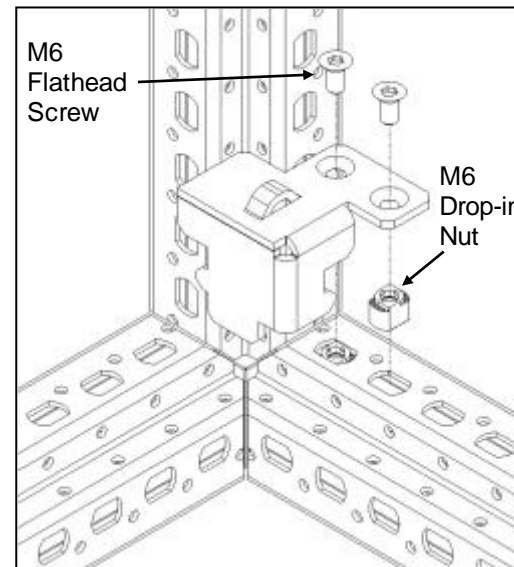
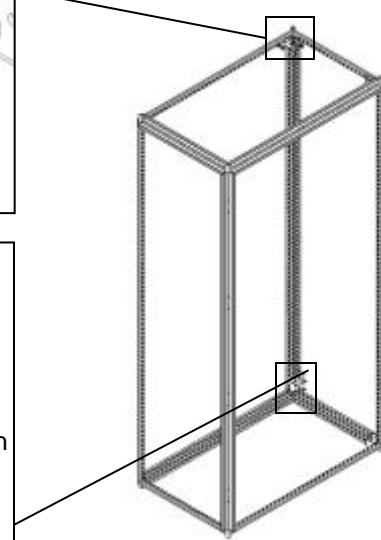


Figure 1



IIS-737777, 07/21/16, Rev. 1, CPI/JAG
800-834-4969 (USA & Canada) • www.chatsworth.com • techsupport@chatsworth.com
For international phone numbers, see our website or contact CPI Tech Support.

This drawing contains proprietary and confidential information and is protected by U.S. and international law. Unauthorized reproduction, disclosure or use of the drawing or the information therein is expressly forbidden except as agreed to in writing by Chatsworth Products, Inc.