

# Installation Instructions

## RMR BAYING MOUNTING PANEL

### Safety Information



**WARNING:** Improper use of this product may lead to serious injury. Read and understand all instructions for proper installation and use of this product.

### Tools Required

10mm Socket Driver or Wrench  
T25 Torx Screw Driver

### Included Hardware

- (9) M6 Serrated Flange Hex Head Screw
- (2) M6 Serrated Flange Nut
- (6) M6 Cage Nut
- (2) M5.5 Torx Pan Head Tapping Screw

### Assembly Sequence

1. Attach bottom bracket to baying mounting panel using M6 screws and serrated flange nuts (torque 88 IN-LB [9.9 N-M]) (Figure 1).
2. Install one M6 cage nut at top, middle, and bottom of mounting panel height on both sides (Figure 1).
3. Attach top bracket to bayed cabinets using M5.5 self-tapping screws (torque 44 IN-LB [5 N-M]) at depth location for bayed mounting panel to be flush with adjacent full size mounting panels (Figure 2).
4. Rotate bayed mounting panel into position between adjacent full size panels with bottom bracket engaging plastic boots. (Figure 3)
5. Secure baying mounting panel to top bracket using M6 screw (torque 88 IN-LB [9.9 N-M]) (Figure 4).
6. If shipping installed, secure baying mounting panel to adjacent full size mounting panels using M6 screws (torque 88 IN-LB [9.9 N-M]) at bottom, middle, and top on both sides (Figure 5).

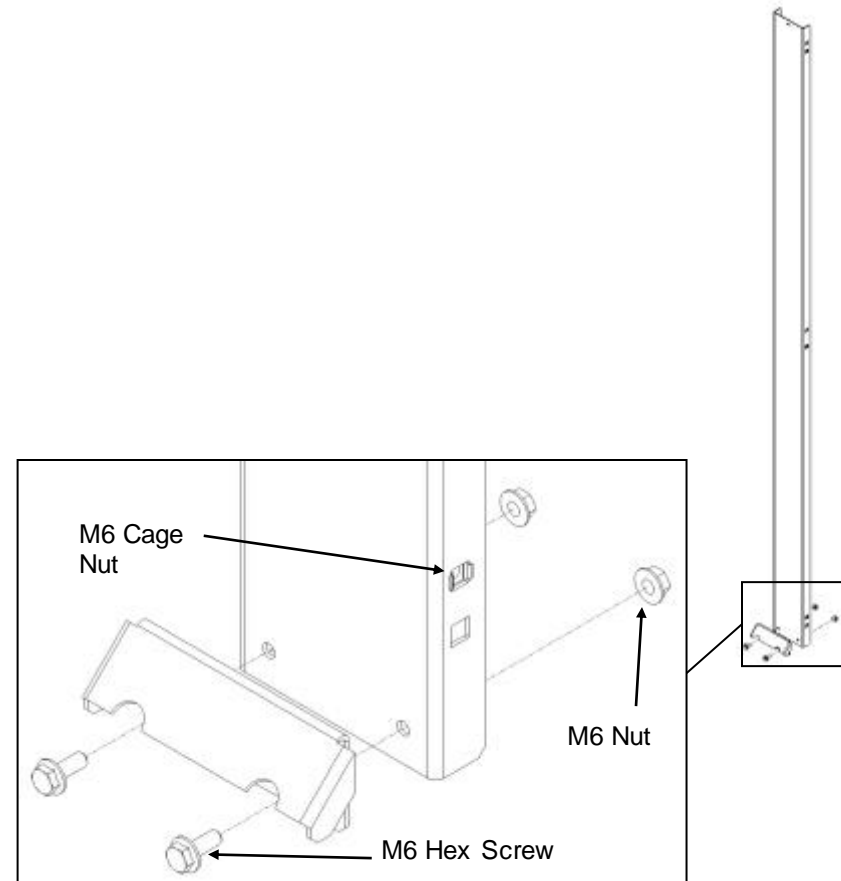


Figure 1



IIS-737787, 07/21/16, Rev. 1, CPI/JAG  
800-834-4969 (USA & Canada) • [www.chatsworth.com](http://www.chatsworth.com) • [techsupport@chatsworth.com](mailto:techsupport@chatsworth.com)  
For international phone numbers, see our website or contact CPI Tech Support.

*This drawing contains proprietary and confidential information and is protected by U.S. and international law. Unauthorized reproduction, disclosure or use of the drawing or the information therein is expressly forbidden except as agreed to in writing by Chatsworth Products, Inc.*

# Installation Instructions

## RMR BAYING MOUNTING PANEL

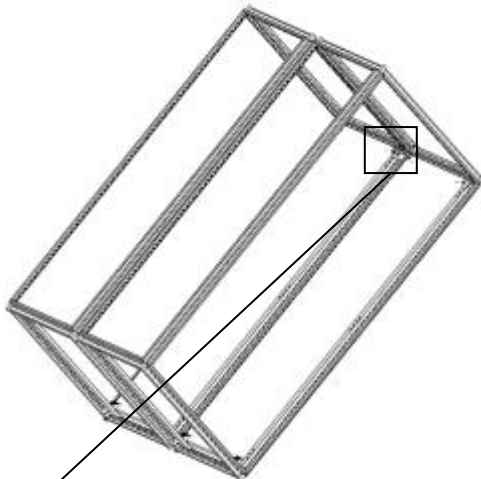


Figure 2

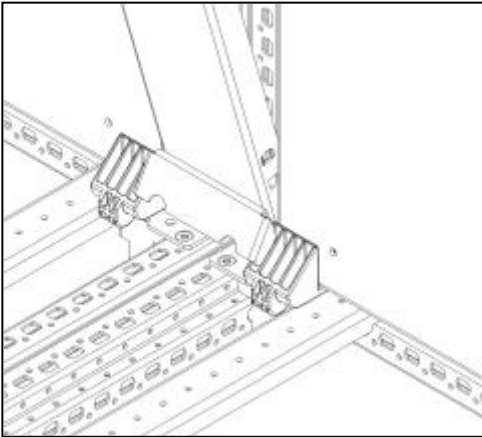
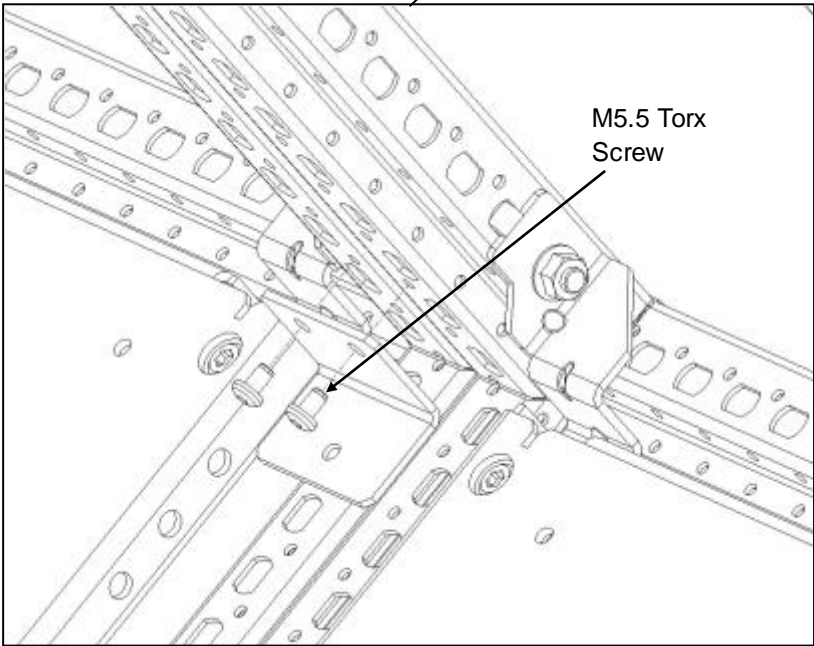
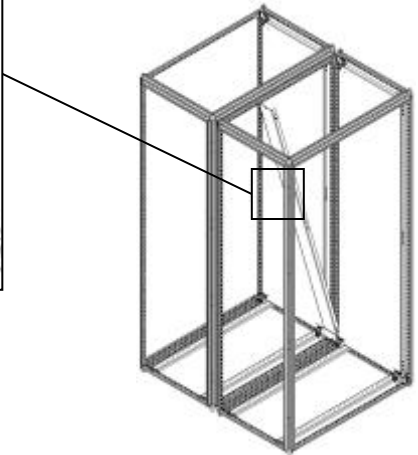
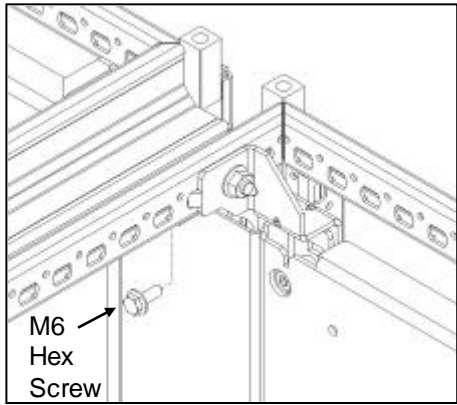


Figure 3

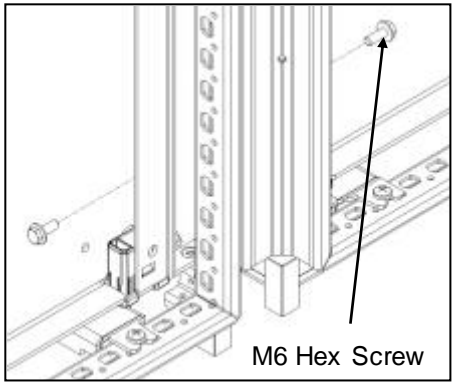


M5.5 Torx  
Screw



M6  
Hex  
Screw

Figure 4



M6 Hex Screw

Figure 5