

# Installation Instructions

## RMR CABLE RING KIT, 600 MM W, 7RMU

### Safety Information



**WARNING:** Improper use of this product may lead to serious injury. Read and understand all instructions for proper installation and use of this product.

### Tools Required

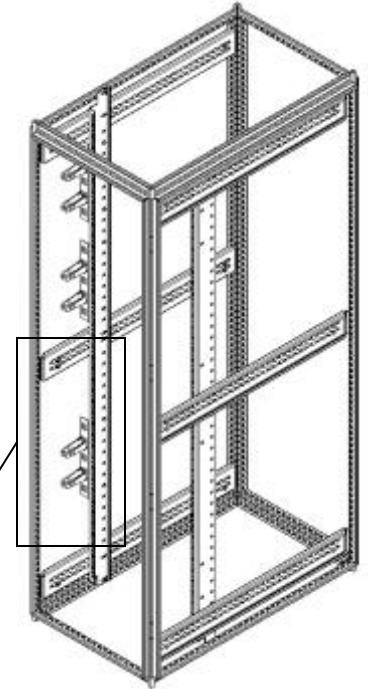
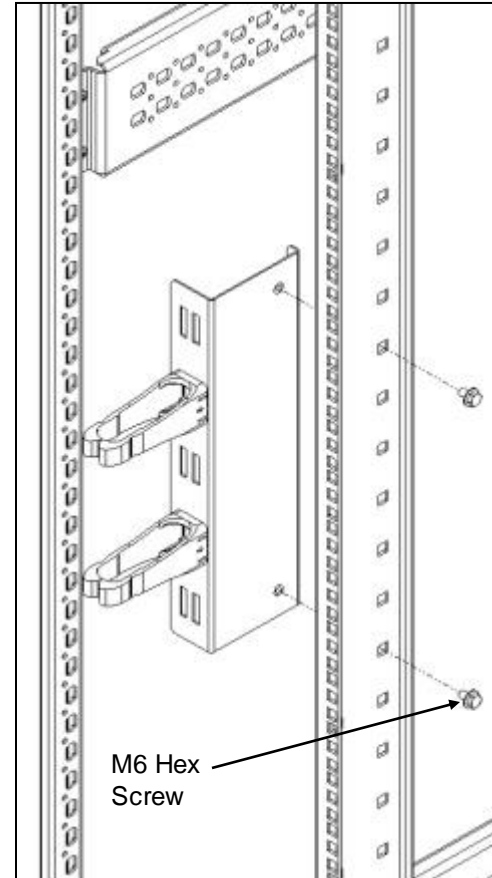
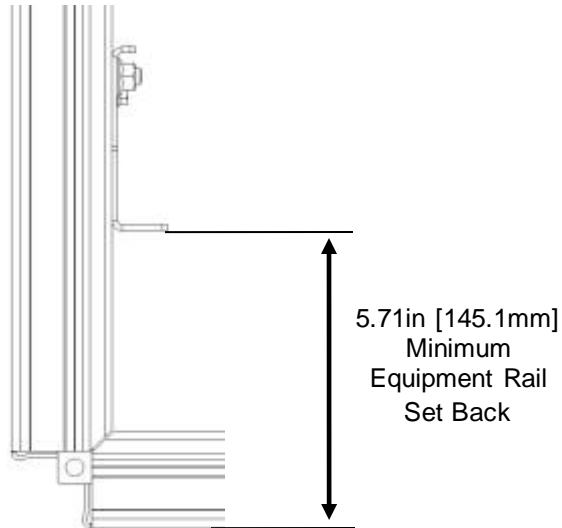
10mm socket wrench or driver

### Included Hardware

(8) M6X10 Serrated Flange Hex Head screw

### Assembly Sequence

1. Select height location along equipment rail between frame depth members for 7RMU cable ring kit.
2. Install 7RMU cable ring kit using M6 screws (torque 168 IN-LB [19 N-M]).



IIS-737803, 07/21/16, Rev. 1, CPI/JAG  
800-834-4969 (USA & Canada) • [www.chatsworth.com](http://www.chatsworth.com) • [techsupport@chatsworth.com](mailto:techsupport@chatsworth.com)  
For international phone numbers, see our website or contact CPI Tech Support.

*This drawing contains proprietary and confidential information and is protected by U.S. and international law. Unauthorized reproduction, disclosure or use of the drawing or the information therein is expressly forbidden except as agreed to in writing by Chatsworth Products, Inc.*