

# Installation Instructions

## RMR BAYING KIT

### Safety Information



**WARNING:** Improper use of this product may lead to serious injury. Read and understand all instructions for proper installation and use of this product.

### Included Hardware

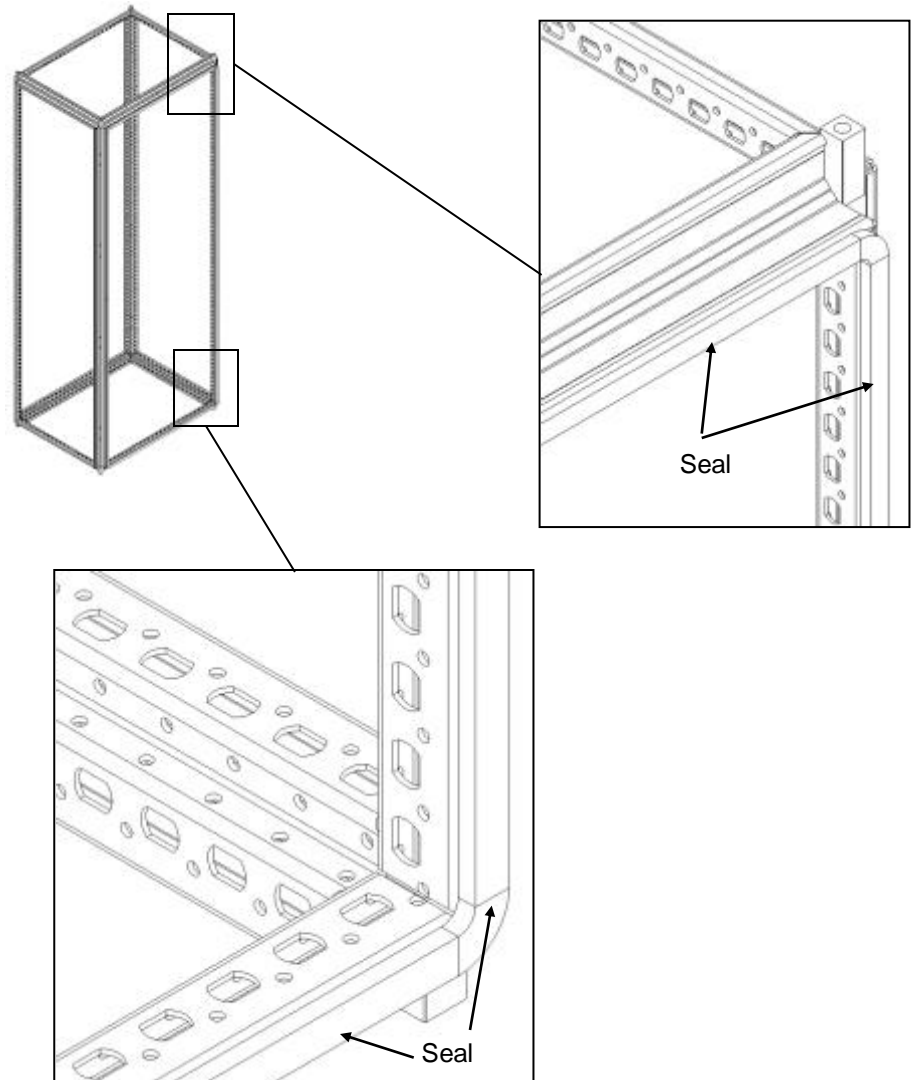
(8) M5.5x9 Torx Panhead Screws  
(16) M6 Torx Flathead Screws

### Tools Required

T25 Torx Screw Driver

### Assembly Sequence

1. Install rubber seal with adhesive tape along entire cabinet frame side before baying with adjacent cabinet. Starting at the bottom center of the frame side, attach rubber seal by peeling tape liner to expose adhesive. Keep attaching rubber seal along the entire side by slowly peeling tape liner until ending at the starting location.



IIS-737820, 08/19/16, Rev. 1, CPI/JAG  
800-834-4969 (USA & Canada) • [www.chatsworth.com](http://www.chatsworth.com) • [techsupport@chatsworth.com](mailto:techsupport@chatsworth.com)  
For international phone numbers, see our website or contact CPI Tech Support.

*This drawing contains proprietary and confidential information and is protected by U.S. and international law. Unauthorized reproduction, disclosure or use of the drawing or the information therein is expressly forbidden except as agreed to in writing by Chatsworth Products, Inc.*

# Installation Instructions

## RMR BAYING KIT

2. Connect the front of the two cabinets together with four external brackets along the outside vertical frame members using M6 Torx flat head screws. Use the empty hole locations directly below or above the hinges. Repeat external bracket installation at rear of the cabinet.
3. Install flat brackets at bottom center along depth members of the internal cabinet frames using four M5.5 Torx panhead screws in self-tapping accessory holes. Repeat flat bracket installation at top center of cabinet frames.
4. Flat brackets may also be installed using M6 Drop-in Nut Hardware Kit (37942-001).

