

Installation Instructions

RMR EYEBOLT BAYING KIT

Safety Information



WARNING: Improper use of this product may lead to serious injury. Read and understand all instructions for proper installation and use of this product.

Included Hardware

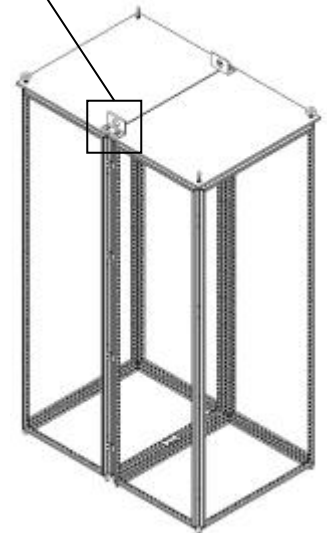
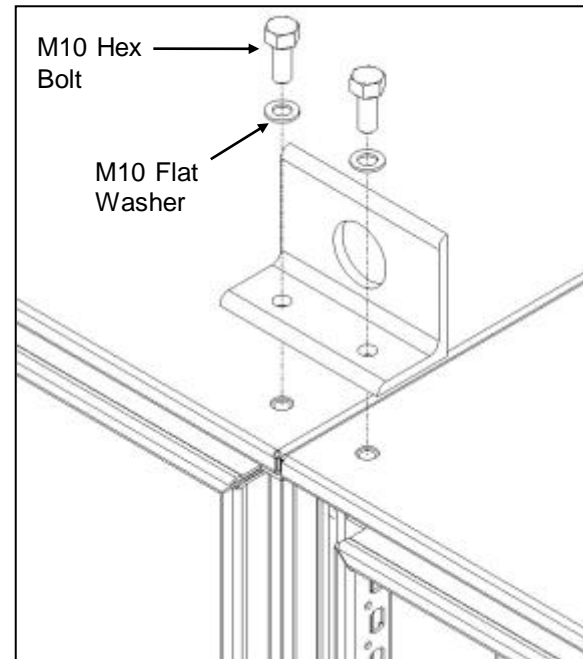
- (4) M10 Flat Washers
- (4) M10x25 Hex Bolts

Tools Required

17mm Socket Wrench

Assembly Sequence

1. Remove adjacent eyebolts from bayed cabinets.
2. Install eyebolt baying bracket using M10 flat washers and M10 hex bolts.



IIS-737823, 08/19/16, Rev. 1, CPI/JAG
800-834-4969 (USA & Canada) • www.chatsworth.com • techsupport@chatsworth.com
For international phone numbers, see our website or contact CPI Tech Support.

This drawing contains proprietary and confidential information and is protected by U.S. and international law. Unauthorized reproduction, disclosure or use of the drawing or the information therein is expressly forbidden except as agreed to in writing by Chatsworth Products, Inc.