

# Installation Instructions

## RMR 600 W FINGER CABLE MANAGER

### Safety Information



**WARNING:** Improper use of this product may lead to serious injury. Read and understand all instructions for proper installation and use of this product.

### Tools Required

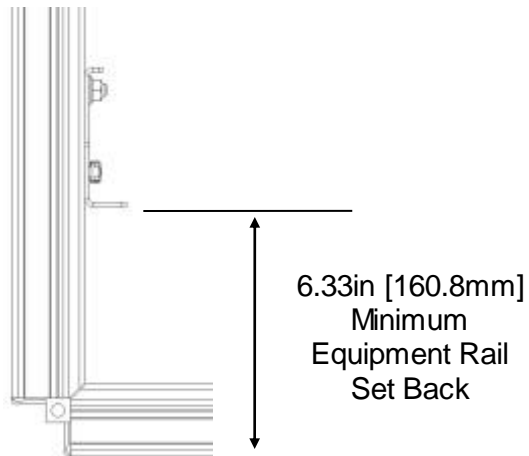
#2 Phillips Screw Driver

### Included Hardware

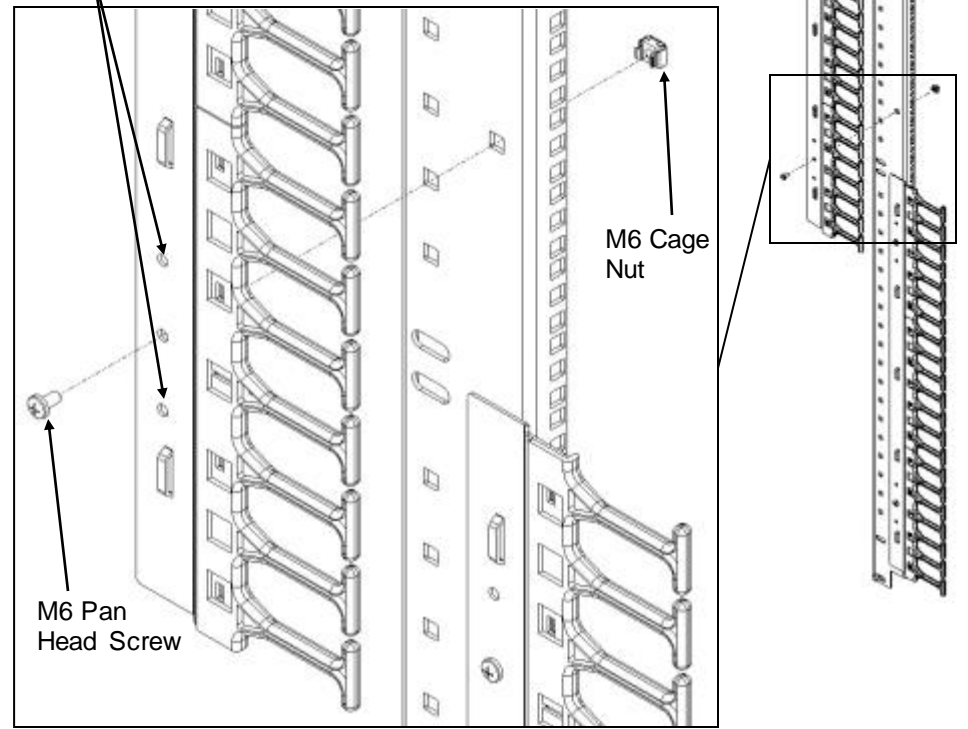
- (4) M6 Cage nut
- (4) M6X12 Pan Head screw

### Assembly Sequence

1. Insert M6 cage nuts into accessory holes on equipment rails using a cage nut insertion tool.
2. Attach each finger cable manager bracket onto the equipment rail using M6 screws (Torque 38 IN-LB [4.3 N-M]).



The top or bottom section can be shifted up or down 1RMU space using these holes.



IIS-737850, 07/21/16, Rev. 1, CPI/JAG  
800-834-4969 (USA & Canada) • [www.chatsworth.com](http://www.chatsworth.com) • [techsupport@chatsworth.com](mailto:techsupport@chatsworth.com)  
For international phone numbers, see our website or contact CPI Tech Support.

*This drawing contains proprietary and confidential information and is protected by U.S. and international law. Unauthorized reproduction, disclosure or use of the drawing or the information therein is expressly forbidden except as agreed to in writing by Chatsworth Products, Inc.*